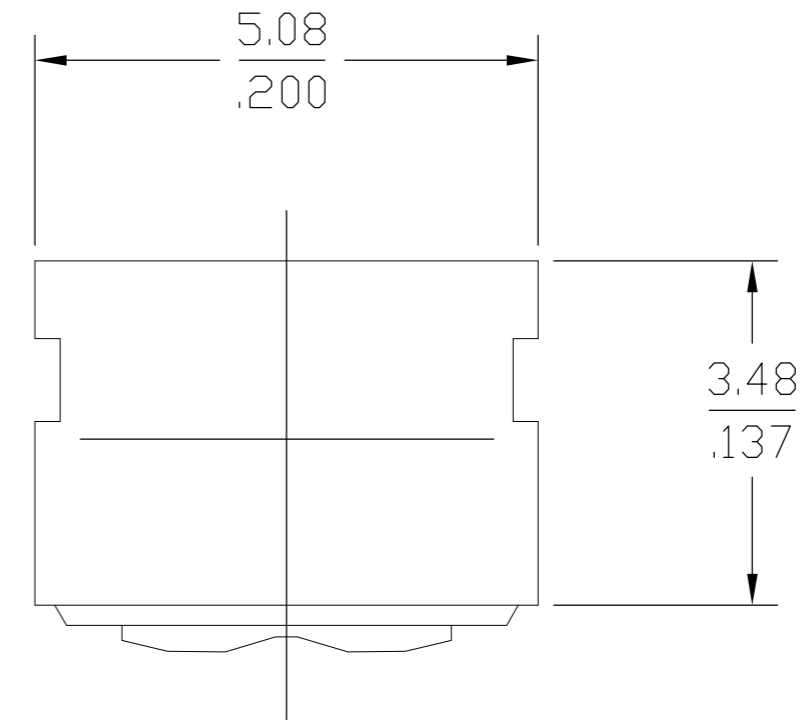
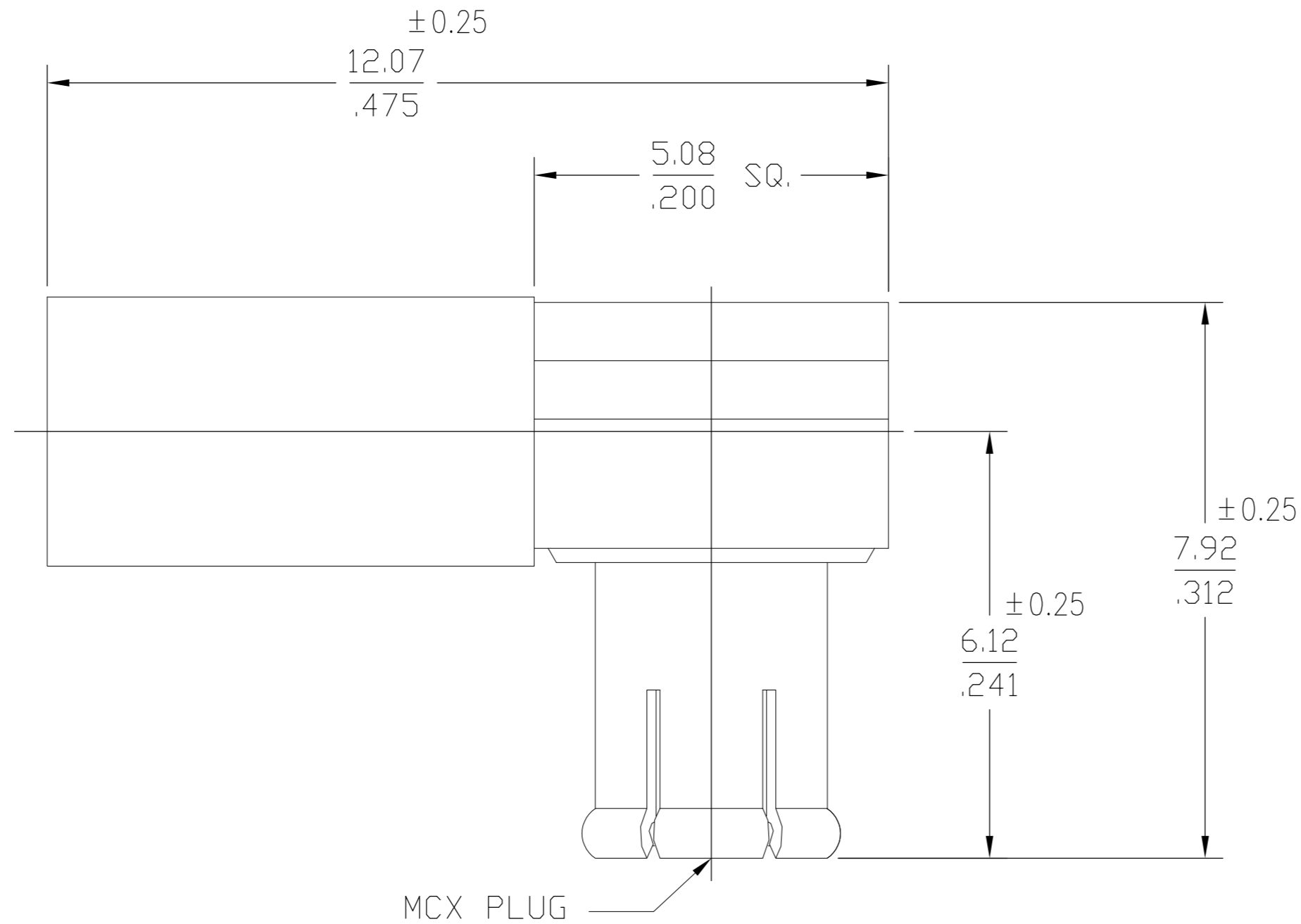


THIS DRAWING IS UNPUBLISHED. RELEASED FOR PUBLICATION
 © COPYRIGHT BY TYCO ELECTRONICS CORPORATION. ALL RIGHTS RESERVED.

LOC		DIST		REVISIONS			
P	LTR	DESCRIPTION	DATE	DWN	APVD		
		B		REV PER ECO 07-027463	17DEC2007	DW	JL



1. SEE INSTRUCTION SHEET 408-4714

1060604-1
PART NUMBER

ELECTRICAL	MECHANICAL	ENVIRONMENTAL
Nominal Impedance (Ohms) <u>50</u>	Force to Engage (lbs MAX) <u>3.4 (1.1 TYP)</u>	TEMPERATURE RATING <u>-65° TO +165°C</u>
Frequency Range (GHz) <u>DC to 6</u>	& Disengage (lbs) <u>1.77 MIN 4.5 MAX</u>	Vibration MIL-STD-202, Method 204, Condition B
Volt Rating (VRMS MAX) @ Sea Level <u>335</u>	Center Contact Captivation Designed to Maintain MCX Interface When Mating	Thermal Shock MIL-STD-202, Method 102, Condition B
VSWR <u>1.25 MAX @ 4 GHz</u>		Moisture Resistance MIL-STD-202, Method 106D, 10 Cycles, 96 Hours
<u>1.35 MAX @ 6 GHz</u>		Corrosion - MIL-STD-202, Method 101, Condition B
Insertion Loss <u>.1dB MAX/1000 MHz</u>		
Corona, 70,000 Ft (VRMS MIN) <u>250</u>		
Dielectric Withstanding Voltage (VRMS MIN) @ Sea Level <u>1000</u>		
Contact Resistance (Milliohms MAX) Center Contact <u>5.0</u>		
Outer Contact <u>1.0</u>		
Cable to Housing <u>1.0</u>		
RF High Potential @ Sea Level (VRMS MIN @ 5 MHz) <u>670</u>		
I.R.(Megohms MIN) <u>10,000</u>		

DESIGNED FOR USE WITH RD 316/U FLEX CABLE DOUBLE BRAIDED
CABLE ENTRY DIAMETER MINIMUM
CONTACT <u>.024 SLOT</u>
HOUSING <u>.067</u>
FERRULE <u>.137</u>

XX.X = mm
.XXX = in

COMPONENT	MATERIAL	FINISH
HOUSING CAP CENTER CONTACT	BRASS PER QQ-B-626 COMP. 360	NICKEL PLATE PER QQ-N-290
DIELECTRIC	PTFE FLUOROCARBON PER ASTM-D-1457	N/A
CONTACT FINGERS	BERYLLIUM COPPER PER ASTM B 196, ALLOY C17300, CONDITION H	GOLD PLATE PER MIL-G-45204
FERRULE	COPPER OR BRASS ALLOY ROCKWELL F65 MAX	NICKEL PLATE PER QQ-N-290

THIS DRAWING IS A CONTROLLED DOCUMENT.		DWN	1/16/95	Tyco Electronics Corporation Harrisburg, PA 17105-3608
DIMENSIONS: mm		CHK	-	
TOLERANCES UNLESS OTHERWISE SPECIFIED:		APVD	-	
0 PLC ± - 1 PLC ± - 2 PLC ± 0.12 .005 3 PLC ± - 4 PLC ± - ANGLES ± 1°		PRODUCT SPEC	-	
MATERIAL	FINISH	APPLICATION SPEC	-	NAME
-	-	WEIGHT	-	MCX RIGHT ANGLE CABLE PLUG- CRIMP ATTACHMENT (5837-5010-10)
CUSTOMER DRAWING		SCALE	1:1	RESTRICTED TO
		SHEET	1 of 1	
		REV	B	

X-ON Electronics

Largest Supplier of Electrical and Electronic Components

Click to view similar products for [RF Connectors / Coaxial Connectors](#) *category:*

Click to view products by [TE Connectivity](#) *manufacturer:*

Other Similar products are found below :

[R125315120](#) [8915-1511-000](#) [89674-0827](#) [5916-1103-603](#) [6-0001-3](#) [6001-7071-019](#) [6002-7051-003](#) [6002-7551-202](#) [6059674-1](#) [619550-1](#)
[630059-000](#) [M39012/25-0021](#) [M39012/79-3008](#) [M39030/3-01N](#) [M39030/3-03N](#) [M3933/25-36N](#) [6500-7071-046](#) [M83723/72W24576](#)
[M83723/72W2457N](#) [6769](#) [CX050L2AQ](#) [7002-1541-010](#) [7002-1572-002](#) [7003-1572-002](#) [7010-1511-000](#) [7029-1511-060](#) [7101-1541-010](#)
[7101-1571-002](#) [7105-1521-002](#) [7145-1521-002](#) [7209-1511-011](#) [7210-1511-015](#) [7210-1511-019](#) [7225-1512-050](#) [7242-1511-000](#) [73137-5015](#)
[73251-0111](#) [73251-0672](#) [7325-1512-000](#) [73276-1501](#) [73366-0013](#) [73404-2300](#) [73413-6080](#) [73415-5721](#) [7405-1521-005](#) [7405-1521-802](#)
[7406-1521-005](#) [804S01D04M040](#) [8145-1521-002](#) [81590](#)