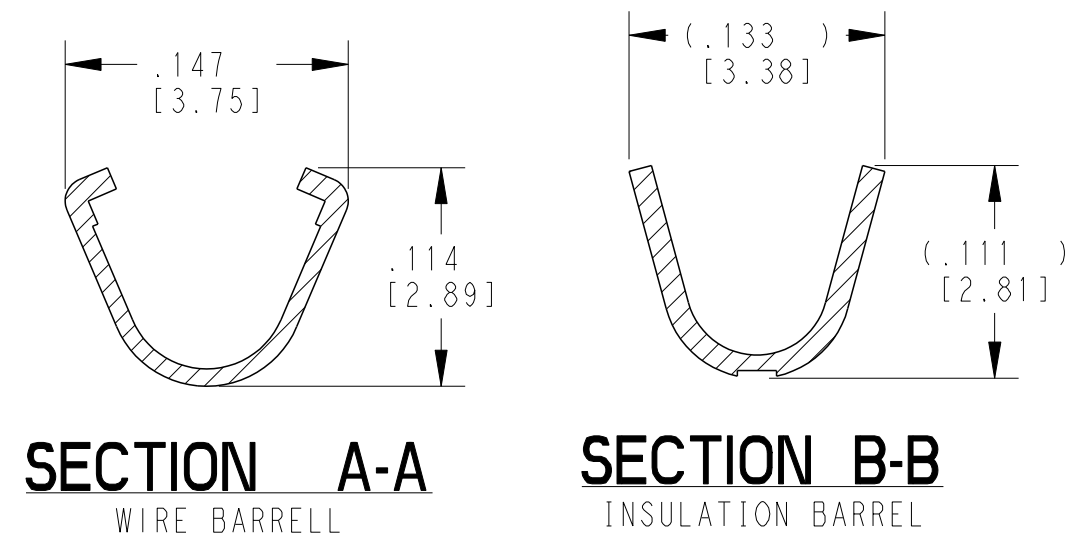
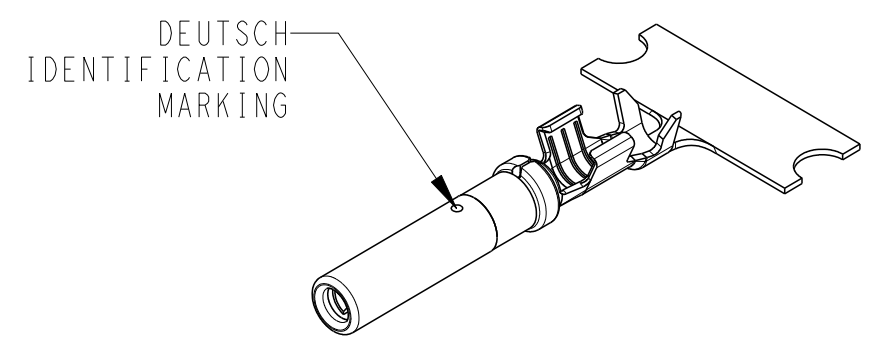


LOC	DIST	REVISIONS					
		P	LTR	DESCRIPTION	DATE	DWN	APVD
			F1	REVISED PER PCN E-17-014802	06OCT2017	AJ	DM
			G	REVISED PER PCN E-20-008101	12JUN2020	DM	DM



TE INTERNAL PN	DEUTSCH PN	PLATING
1062-16-0622	1062-16-0622	Ni/Cu overall, Sn/Ni/Cu Wire Barrel
1062-16-0644	1062-16-0644	Selective Au, Ni/Cu overall, Sn/Ni/Cu Wire Barrel
1062-16-0677	1062-16-0677	Sn/Ni/Cu overall
1062-16-0688	1062-16-0688	Selective Pd-Ni, Au/Ni/Cu overall

- △5 TIN PLATING MAY BE IN THIS REGION.
- △4 TIN PLATED REGION.
- △3 MATERIAL:
BODY: .012 [0.30] THICK COPPER ALLOY
SLEEVE: STAINLESS STEEL
- 2. WIRE RANGE: 20 AWG TO 16 AWG [0.5-1.0 mm²]
INSULATION RANGE: Ø.055-.100 [Ø1.40-2.54]
- △1 44: GOLD PLATED REGION.
88: PALLADIUM-NICKEL PLATED REGION.

NOTES: UNLESS OTHERWISE SPECIFIED

THIS DRAWING IS A CONTROLLED DOCUMENT.		DWN 28NOV2000 STEVE PALLUTH		TE Connectivity	
DIMENSIONS: INCHES [mm]		CHK 06DEC2000 VLADIMIR TOMSA			
TOLERANCES UNLESS OTHERWISE SPECIFIED:		APVD 08DEC2000 R. REED		NAME SOCKET, STAMPED AND FORMED SIZE 16 16-20AWG	
0 PLC ± 1 PLC ± 2 PLC ± 3 PLC ±0.025 [0.64] 4 PLC ± ANGLES ±		PRODUCT SPEC 108-151000		SIZE A3	
MATERIAL △3		FINISH SEE TABLE		CAGE CODE 4AFU8	
		APPLICATION SPEC 114-151000		DRAWING NO C=1062-16-06XX	
		WEIGHT 0.42 g		RESTRICTED TO -	
		Customer Drawing		SCALE 6:1	
				SHEET 1 OF 1	
				REV G	

X-ON Electronics

Largest Supplier of Electrical and Electronic Components

Click to view similar products for [Automotive Connectors](#) category:

Click to view products by [TE Connectivity](#) manufacturer:

Other Similar products are found below :

[003-018-000](#) [60403001](#) [60993906-B](#) [M902-2131](#) [M902-2161](#) [72.330.1035.1](#) [73.353.4028.0](#) [F119300-B](#) [F166900](#) [F258300-B](#) [F358300-B](#)
[F407400](#) [F444110](#) [F487000](#) [F509500B-B](#) [827153-1](#) [8N1515-32-24P](#) [9-1326729-8](#) [925474-1](#) [928905-1](#) [964562-4](#) [968782-1](#) [GT17SA-8DS-](#)
[HU](#) [98891-1012](#) [98947-1016](#) [12004147](#) [12004475-L](#) [12010290](#) [12010309-B](#) [12015454](#) [12020219-B](#) [12020308](#) [12041318-B](#) [12052225-L](#)
[12052466](#) [12059125](#) [12064869](#) [12004327-B](#) [12010503-B](#) [12015308](#) [12015384](#) [12015909](#) [1-21030-1](#) [12041254](#) [12041318](#) [12047946-B](#)
[12047957](#) [12047957-L](#) [12059473](#) [12066261](#)