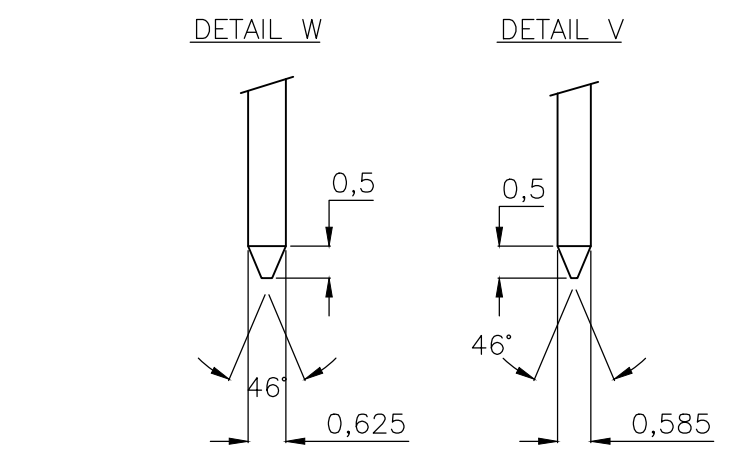
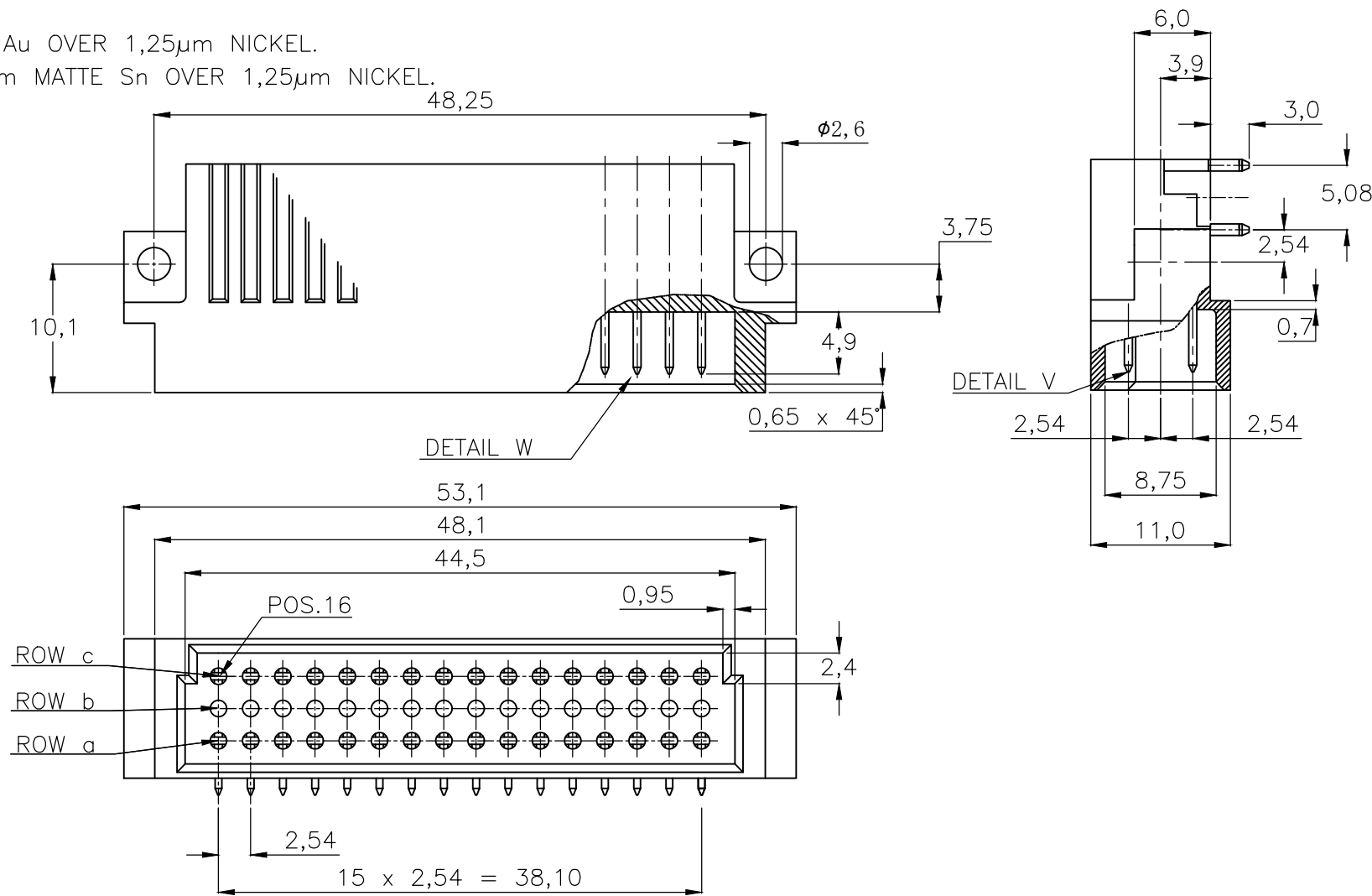


NOTES:

1 MATERIAL:
 -HOUSING: THERMOPL.POLYESTER
 COLOUR : GREY
 -CONTACTS: PHOSPHORBRONZE

2 PLATING CONTACT :
 0- -4: AT CONTACT AREA 0,8µm Au OVER 1,25µm NICKEL.
 AT ACTION PIN AREA 2,5µm MATTE Sn OVER 1,25µm NICKEL.

P	LTR	DESCRIPTION	DATE	DWN	APVD
	E	REVISED PER ECO-20-009690	02NOV2020	SY	HL



ROW c	X X X X X X X X X X X X X X X X
ROW b	O O O O O O O O O O O O O O O O
ROW a	X X X X X X X X X X X X X X X X
POS	16 15 14 13 12 11 10 9 8 7 6 5 4 3 2 1

AN ASTERISK „X” DENOTES A CONTACT.

P.C.B. HOLE DIM. ACTION PIN	
DRILLED HOLE	: 1,15 ± 0,025 mm
FIN. HOLE	: 0,94 to 1,09 mm
AFTER REFLOW	: 0,91 to 1,09 mm
Cu-thks	: 0,025 to 0,075 mm
SnPb-thks	: 0,004 to 0,010 mm

REFERENCE FAMILY DRAWING 650473 FOR ALL TYPE C HEADER OFFERINGS

OBSOLETE	SEE NOTE 2	SEE NOTE 1	6-106276-8
	SEE NOTE 2	SEE NOTE 1	106276-4
	FINISH	MATERIAL	PARTNUMBER

THIS DRAWING IS A CONTROLLED DOCUMENT.		DWN R.V.LOKVEN 24MAR93	TE Connectivity 32 POS. DIN 41612 TYPE C/2 MALE ACTION PIN CONNECTOR FOR 1,6 P.C.B. THICKNESS			
DIMENSIONS: mm		CHK J.V.GRUNSVEN 24MAR93			NAME	
TOLERANCES UNLESS OTHERWISE SPECIFIED:		APVD L.V.SOEST			PRODUCT SPEC	
0 PLC ± - 1 PLC ± - 2 PLC ± - 3 PLC ± - 4 PLC ± - ANGLES ± -		APPLICATION SPEC			RESTRICTED TO	
MATERIAL -		WEIGHT 0.000000	SIZE A3	CAGE CODE 00779	DRAWING NO C-106276	RESTRICTED TO -
		CUSTOMER DRAWING	SCALE NTS	SHEET 1 OF 1	REV E	

X-ON Electronics

Largest Supplier of Electrical and Electronic Components

Click to view similar products for [DIN 41612 Connectors](#) category:

Click to view products by [TE Connectivity](#) manufacturer:

Other Similar products are found below :

[09231126901](#) [PCN10F-24P-2.54DS\(72\)](#) [004.767](#) [02221602702](#) [024069](#) [602427301412000](#) [013275](#) [691327-1](#) [74670-0732](#) [74680-0340](#)
[75880-0015](#) [76453-0014](#) [86093159ALF](#) [923454](#) [QLC260R](#) [120X10099X](#) [120X10019X](#) [120X10089X](#) [120X10129X](#) [121A10039X](#)
[121A10309X](#) [122A10019X](#) [122A10029X](#) [122A10249X](#) [122A10669X](#) [122A11089X](#) [122A13089X](#) [122A10089X](#) [122A10129X](#)
[122A10349X](#) [122A13359X](#) [1377391-4](#) [1393583-2](#) [1393726-7](#) [140X10059X](#) [140X10129X](#) [143-1913-000](#) [143-1908-000](#) [1484472-1](#) [173052](#)
[2110070-1](#) [2110070-2](#) [CBC20T00-008FDS5-0-1-002VR](#) [983-0SE12-12P6](#) [17041102202](#) [172699-5036](#) [173051](#) [PCN10-96S-2.54DSA\(77\)](#) [2-](#)
[1393557-4](#) [2-1437084-2](#)