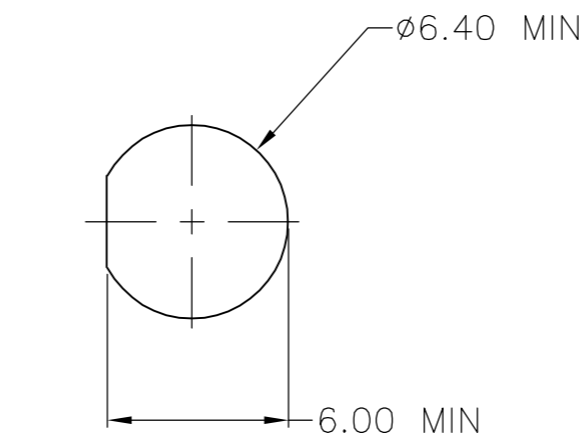
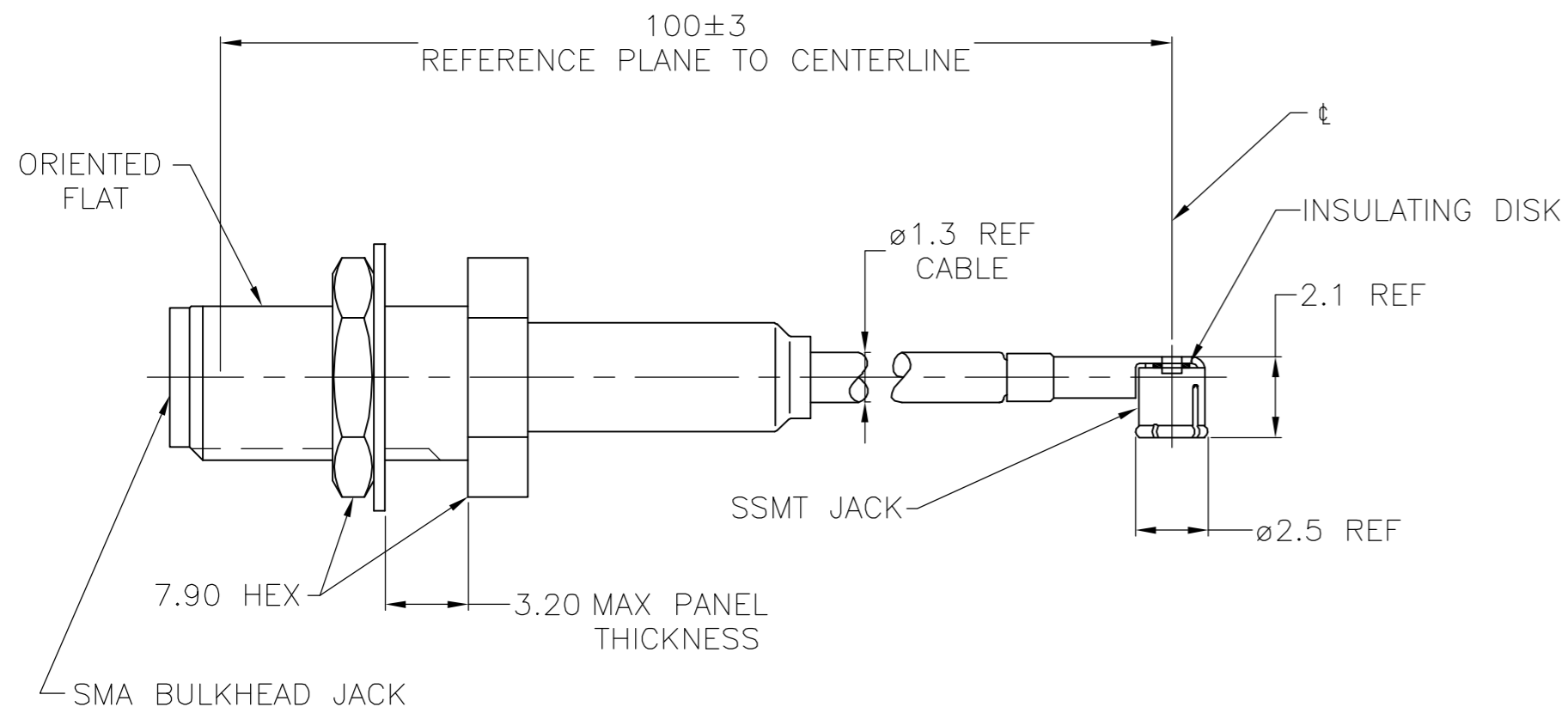


THIS DRAWING IS UNPUBLISHED. RELEASED FOR PUBLICATION
 © COPYRIGHT BY TYCO ELECTRONICS CORPORATION. ALL RIGHTS RESERVED.

| LOC | DIST | REVISIONS | | | |
|-----|------|-------------|-----------------------------|-----------|-------|
| P | LTR | DESCRIPTION | DATE | DWN | APVD |
| AJ | 17 | B | REVISED PER EC OS14-0098-05 | 11MAY2006 | KS KW |



RECOMENDED MOUNTING HOLE

- PERFORMANCE SHOWN FOR SSMT CONNECTOR AND CABLE ONLY. FOR CABLE ASSEMBLY DATA CONSULT FACTORY.
- FLAT ORIENTED AS SHOWN TO WITHIN 90°±30° OF SSMT CENTERLINE

| COMPONENT | MATERIAL | FINISH |
|------------------------|--------------------------------------|------------------------------|
| SMA CONNECTOR | | |
| HOUSING & COUPLING NUT | STAINLESS STEEL | PASSIVATE |
| CENTER CONTACT | BERYLLIUM COPPER | GOLD PLATE |
| INNER CONTACT | BERYLLIUM COPPER | GOLD PLATE |
| DIELECTRIC | TETRAFLUOROETHYLENE (TFE) | N/A |
| RETAINING RING | BERYLLIUM COPPER | N/A |
| GASKET | SILICONE RUBBER | N/A |
| FERRULE | COPPER OR BRASS | NICKEL PLATE |
| SHRINK TUBING | HEAT SHRINKABLE POLYOLEFIN COMPOUND | N/A |
| SSMT CONNECTOR | | |
| OUTER CONTACT | BERYLLIUM COPPER | GOLD PLATE OVER NICKEL PLATE |
| CENTER CONTACT | BERYLLIUM COPPER | GOLD PLATE OVER NICKEL PLATE |
| DIELECTRIC | POLYPROPYLENE, GF | N/A |
| CABLE | | |
| JACKET | FLUORINATED ETHYLENE PROPYLENE (FEP) | N/A |
| SHIELD | COPPER WIRE, 44 AWG | SILVER PLATED |
| DIELECTRIC | POLYTETRAFLUOROETHYLENE (PTFE) | N/A |
| CENTER CONDUCTOR | COPPER CLAD STEEL, 30 AWG | SILVER PLATED |
| INSULATING DISK | POLYESTER | N/A |

1064544-1
PART NUMBER

| ELECTRICAL | MECHANICAL | ENVIRONMENTAL |
|---------------------------------|----------------------|-------------------------------|
| FREQUENCY | CONNECTOR DURABILITY | TEMPERATURE RATING |
| NOMINAL IMPEDENCE | 100 MATING CYCLES | -40°C(-40°F) TO +125°C(257°F) |
| VOLTAGE RATING | | |
| VSWR (MATED CONNECTORS ONLY) | | |
| INSULATION RESISTANCE | | |
| DIELECTRIC WITHSTANDING VOLTAGE | | |

PRODUCT SPEC

| | | | | |
|--|------------|---------------------------|--|--|
| THIS DRAWING IS A CONTROLLED DOCUMENT. | | DWN DK SCHRUM 11MAY2006 | Tyco Electronics Corporation Harrisburg, PA 17105-3608 | |
| DIMENSIONS: mm | | CHK KE WEIDNER 11MAY2006 | NAME SSMT RIGHT ANGLE JACK TO SMA BULKHEAD JACK INTERSERIES CABLE ASSEMBLY | |
| TOLERANCES UNLESS OTHERWISE SPECIFIED: | | APVD KE WEIDNER 11MAY2006 | SIZE A2 CAGE CODE 00779 DRAWING NO C=1064544 | |
| 0 PLC ± - | 1 PLC ± - | PRODUCT SPEC - | RESTRICTED TO - | |
| 2 PLC ± - | 3 PLC ± - | APPLICATION SPEC - | SCALE 4:1 SHEET 1 OF 1 REV B | |
| 4 PLC ± - | ANGLES ± - | WEIGHT - | CUSTOMER DRAWING | |
| MATERIAL - | FINISH - | | | |

X-ON Electronics

Largest Supplier of Electrical and Electronic Components

Click to view similar products for [TE Connectivity](#) manufacturer:

Other Similar products are found below :

[D38999/24FJ4AN](#) [570416-000](#) [CLTEQ-M81CE-SSRELAY-4-20V](#) [4-1195131-0](#) [650069-000](#) [SMD100-2](#) [358838-000](#) [CB-1022B-78](#)
[RM707012](#) [RP410012](#) [MMS42](#) [1-640426-8](#) [2EDL4CM](#) [DTS20W19-11PD-3028-LC](#) [RM202615](#) [NC6-P104-06](#) [MSPS103B](#) [DTS26F21-41HE-LC](#) [DTS26F21-41AE](#) [DTS26F21-41PE-LC](#) [DTS26F21-11SE-3028-LC](#) [30DCB6](#) [1932144-1](#) [293545-4](#) [LVR125S](#) [MS27466T25F4PB](#)
[CKB-38-78010](#) [TR04AI-TINELLOCKRING](#) [1206SFF150F/63-2](#) [D38999/20JB35HA](#) [TE1500A2R2J](#) [D38999/20WC8BB](#) [DTS24F19-11SC-3028-LC](#) [D38999/24WG11HA](#) [D38999/24WG11HN](#) [MS27467T21F11H](#) [DJT16E21-11HA](#) [MS27467T21F35J](#) [MS27467T21F11J](#)
[MS27467T21F16H-LC](#) [MS27467T21F35H](#) [MS27467T21F41H-LC](#) [1206SFH150F/24-2](#) [RP330024](#) [DJT16E21-11PA-LC](#) [DJT16E21-11HA-LC](#) [DJT16E21-11AA](#) [MS27467T21B11JA](#) [DJT16E21-11JA](#) [MS27467T21B11JA-LC](#)