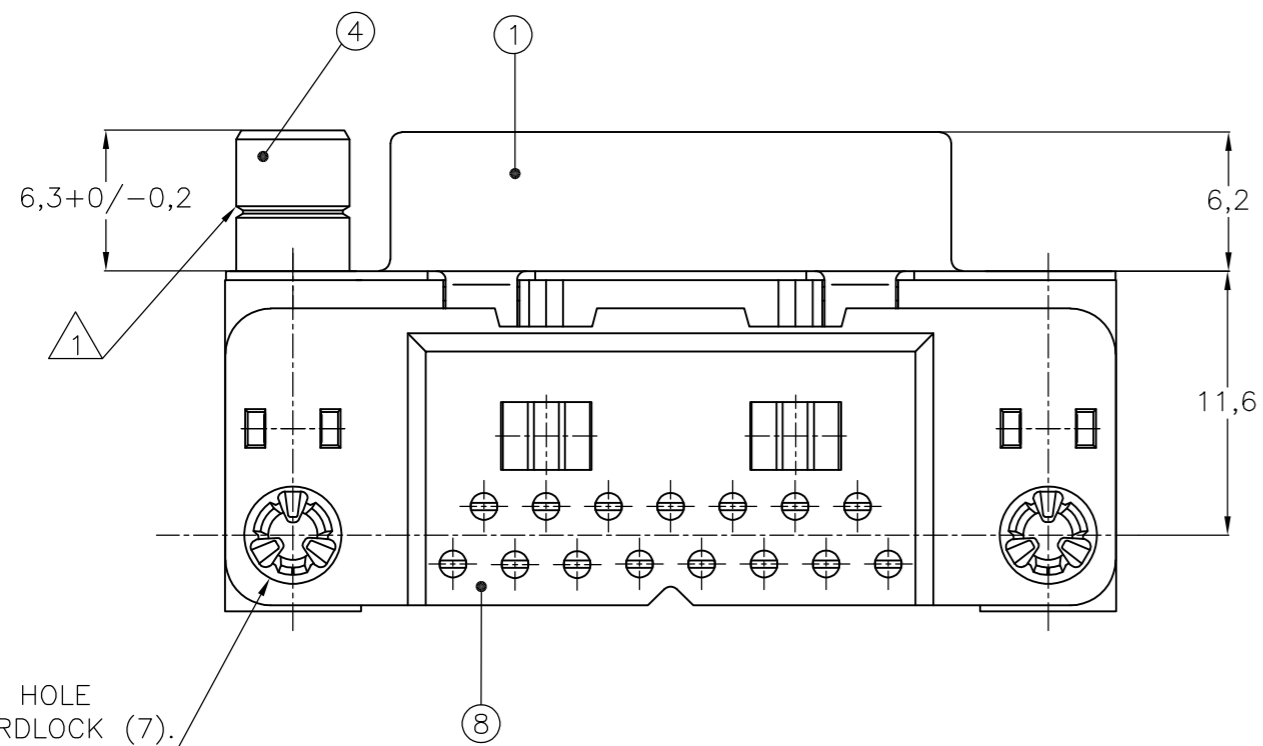
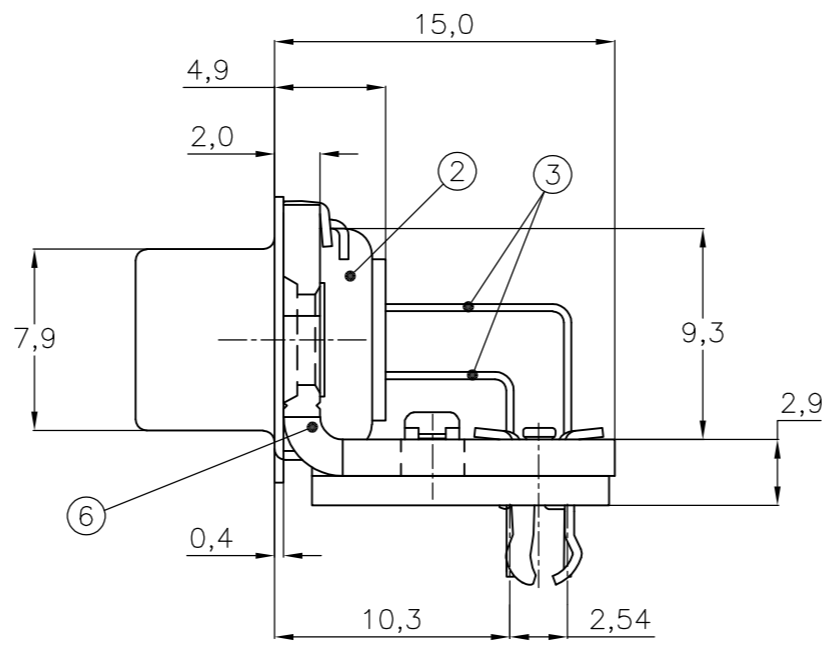
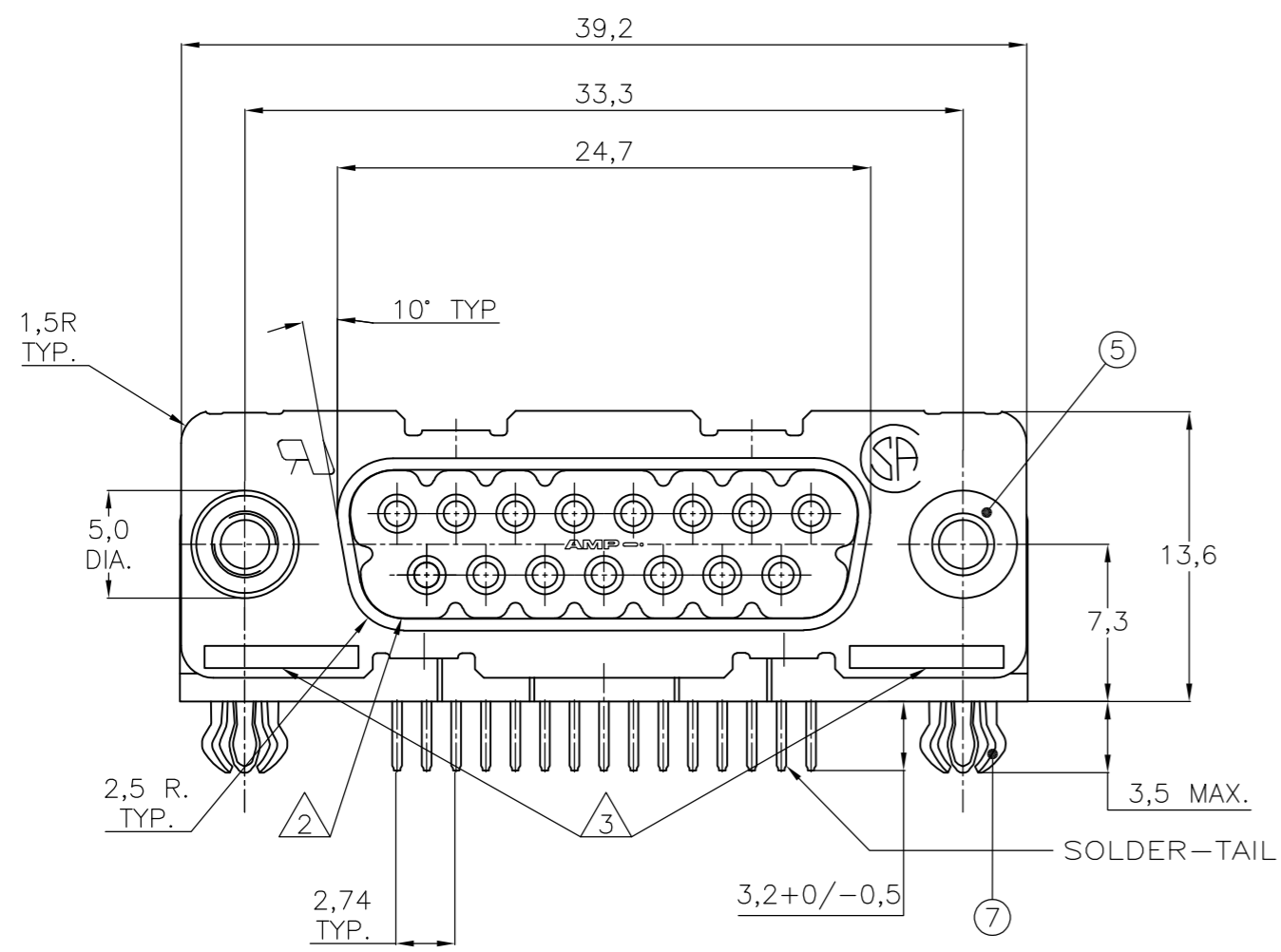


THIS DRAWING IS UNPUBLISHED. RELEASED FOR PUBLICATION
 © COPYRIGHT - By - ALL RIGHTS RESERVED.

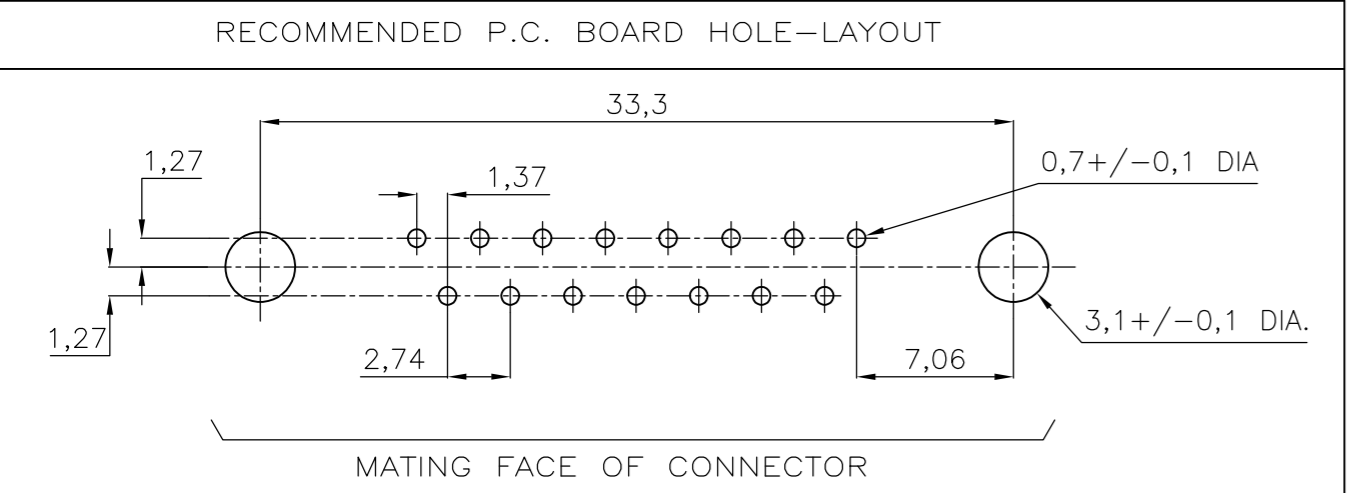
LOC	DIST	REVISIONS			
P	LTR	DESCRIPTION	DATE	DWN	APVD
GP	00	M	REVISED PER ECO-15-004948	27APR2015	AP SB



ACCESSORIES	ITEM NO.	DESCRIPTION OF ACCESSORY										
	5	BUSHING WITH THROUGH-HOLE 3,1 DIA.	2									
5	BUSHING WITH INNER THREAD 4-40 UNC	2										
5	BUSHING WITH INNER THREAD M3	2										
4	FEMALE SCREWLOCK WITH 4-40 UNC	2										
4	FEMALE SCREWLOCK WITH M3	2										
7	BOARDLOCK	2	2	2	2	2	2	2	2	2	2	2
	106506-2											
	1-106506-2											
	2-106506-2											
	3-106506-2											
	4-106506-2											
	5-106506-2											
	6-106506-2											
	7-106506-2											
	8-106506-2											
	9-106506-2											

- ① GROOVE INDICATES VERSION WITH 4-40 UNC INNER THREAD; WITHOUT GROOVE INDICATES VERSION WITH M3 INNER THREAD.
- ② CAVITY IDENTIFICATION AT FRONT SIDE ONLY.
- ③ PART NUMBER AND DATE CODE.
- ④ AIR AND CREEPAGE DISTANCES ACCORDING TO DIN 41652.
- ⑤ CONTACT FINISH: GOLD FLASH OVER PALLADIUM-NICKEL PLATE OR GOLD PLATE ON THE MATING SURFACES, TIN PLATE ON THE SOLDER-TAILS, NICKEL UNDERPLATE ON THE ENTIRE CONTACT. MATING SURFACE FINISH MEETS PERFORMANCE LEVEL 2 PER DIN 41652.

- ITEM NO./MATERIAL :
- ① SHELL : BRIGHT TIN PLATED STEEL
 - ② HOUSING : GLASS FILLED POLYESTER, COLOR : BLACK
 - ③ CONTACTS : PHOSPHOR BRONZE (PLATING : SEE NOTES ABOVE)
 - ④ FEMALE SCREWLOCK : TIN PLATED STEEL (INNER THREAD 4-40 UNC OR M3)
 - ⑤ BUSHING : TIN PLATED STEEL (INNER THREAD 4-40 UNC OR M3 OR 3,1 DIA THROUGH-HOLE)
 - ⑥ BRACKET : TIN PLATED STEEL
 - ⑦ BOARDLOCK : TIN PLATED PHOSPHOR BRONZE
 - ⑧ POST ALIGNMENT PLATE : GLASS FILLED NYLON. COLOR : BLACK



THIS DRAWING IS A CONTROLLED DOCUMENT. DIMENSIONING AND TOLERANCING PER ASME Y14.5M-2009		DWN D. KESSLER	14JAN99	TE TE Connectivity	
DIMENSIONS: mm		CHK W. SOOMERS			
TOLERANCES UNLESS OTHERWISE SPECIFIED:		APVD -		NAME	
0 PLC ± -		PRODUCT SPEC		HD-20 SIZE 2	
1 PLC ± 0.3		APPLICATION SPEC		RIGHT ANGLE RECEPTACLE HEADER;	
2 PLC ± 0.15				MARK II	
3 PLC ± -		WEIGHT		SIZE	CAGE CODE
4 PLC ± -				A2	00779
ANGLES ± 2°				DRAWING NO	RESTRICTED TO
FINISH				C=106506	
		CUSTOMER DRAWING	SCALE	SHEET	REV
			NTS	1 of 1	M

X-ON Electronics

Largest Supplier of Electrical and Electronic Components

Click to view similar products for [D-Sub High Density Connectors](#) category:

Click to view products by [TE Connectivity](#) manufacturer:

Other Similar products are found below :

[97-3250-11](#) [163A16809X](#) [163A17089X](#) [164A17199X](#) [164C18629X](#) [242A25680X](#) [L717HDB44POL2R210](#) [L717HDEH15POL2](#)
[L777HDE15P](#) [L77HDE15SC309](#) [163A16759X](#) [163A16839X](#) [163A16989X](#) [163A17079X](#) [164A17329X](#) [164A18219X](#) [241A16440X](#)
[241A16550X](#) [241A16680X](#) [241A20810X](#) [241A25740X](#) [CT25-44P](#) [MDBE15PE766](#) [L177HDE15SOL2RM23](#) [L177HRC62S](#)
[L177HRC62SVFM](#) [L177HRCG62S](#) [L717HDEG15POL2RM5](#) [L77HDA26SVF](#) [L77HDE15SD1CO](#) [L77HDEH15SOL2RM832](#) [443895-3](#)
[106698-1](#) [280-012K2C](#) [L177HRB44S](#) [164A17039X](#) [09562004701510](#) [164A17969X](#) [L777HRC62P](#) [241A17960X](#) [164A18269X](#)
[L777HDEG15P](#) [280-018P3S25MEGN](#) [206504-2](#) [40-9515HDSP](#) [2057140-1](#) [C115370-6002](#) [DFMA104SNMBFR172FR022](#) [HDC9F200E2S](#)
[L717HDAG26POL2RM8](#)