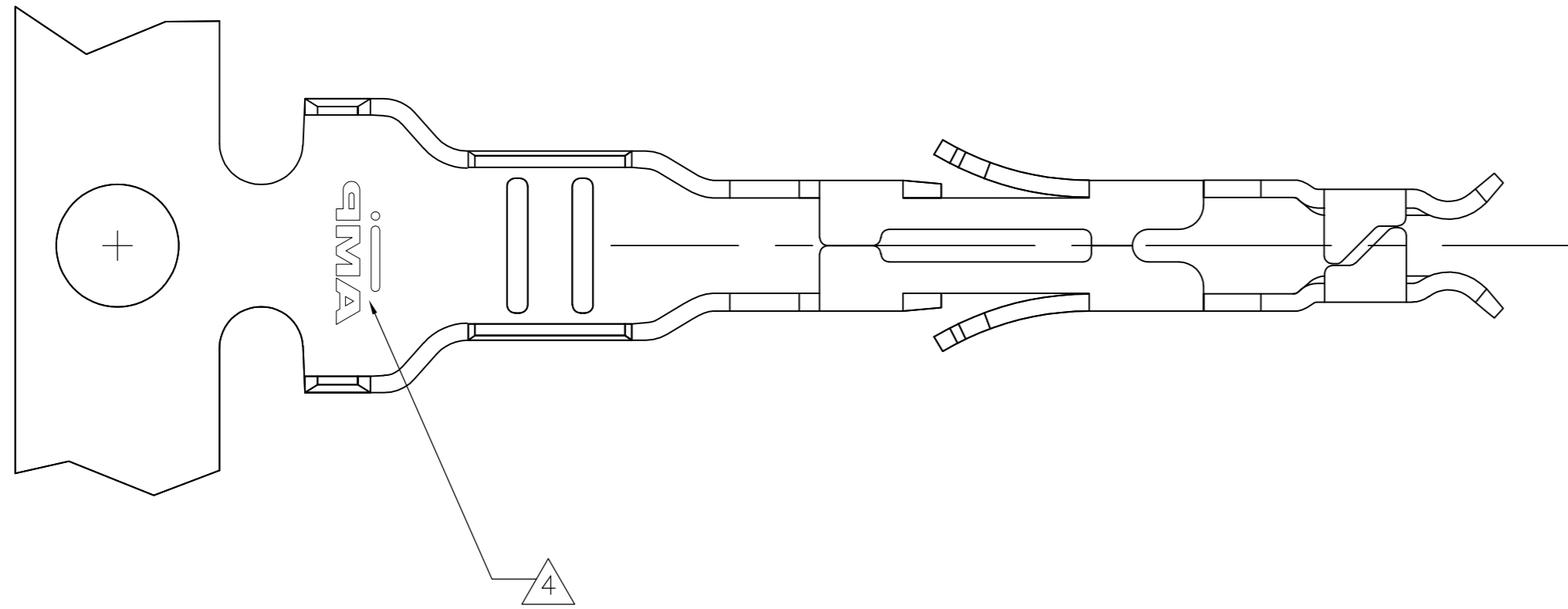
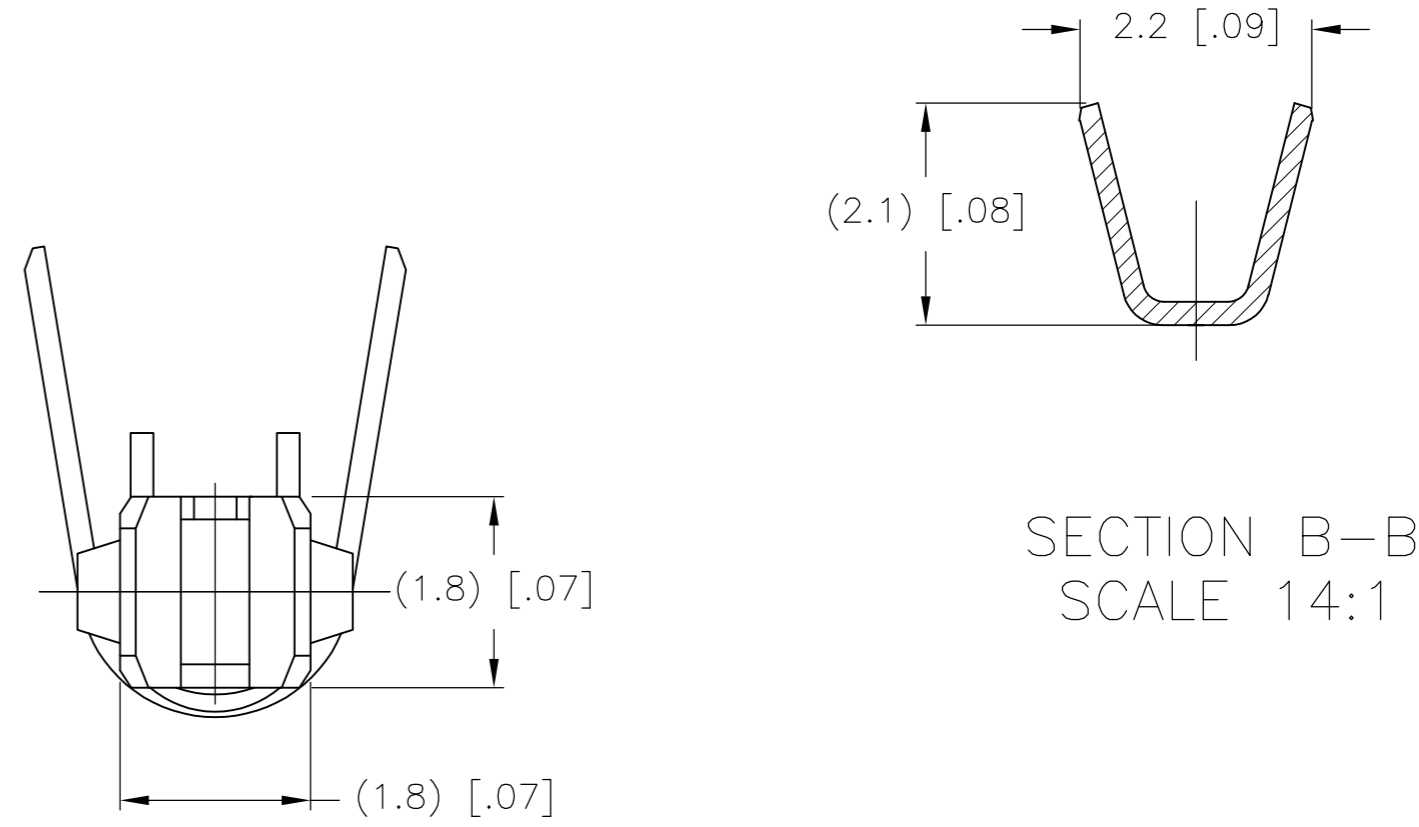
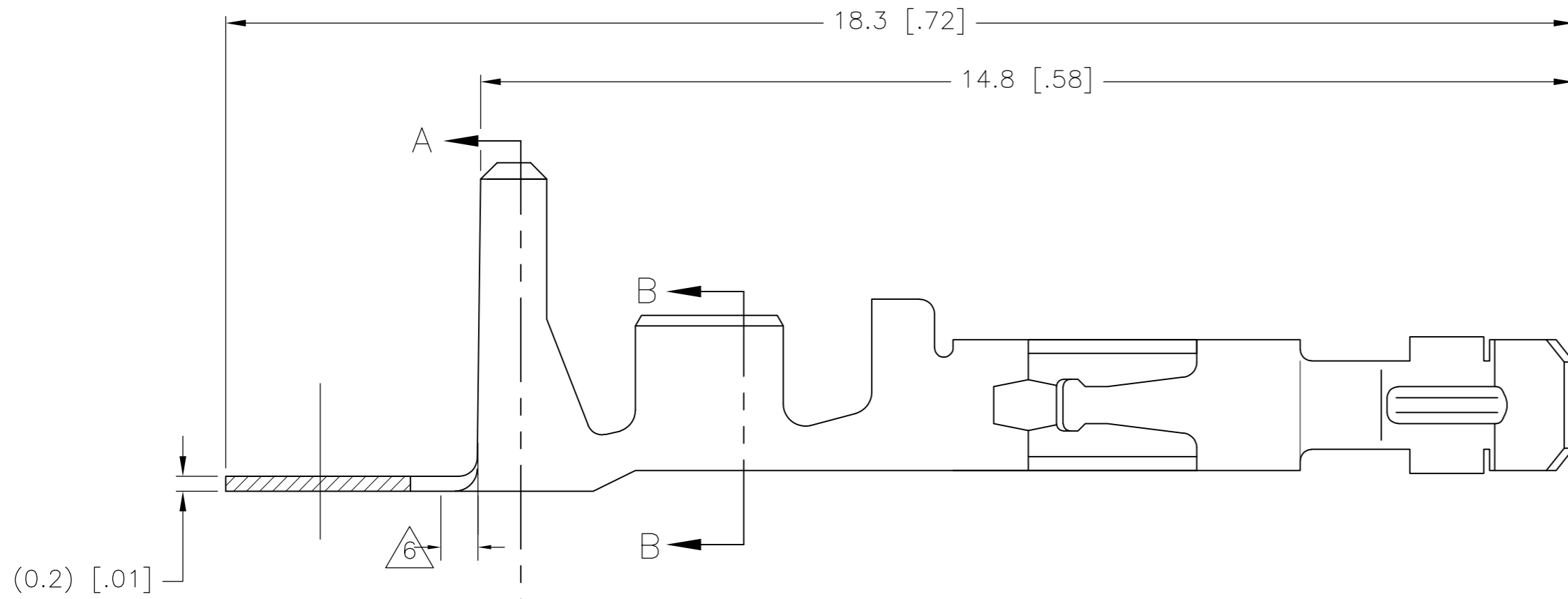


THIS DRAWING IS UNPUBLISHED. RELEASED FOR PUBLICATION
 © COPYRIGHT - By - ALL RIGHTS RESERVED.

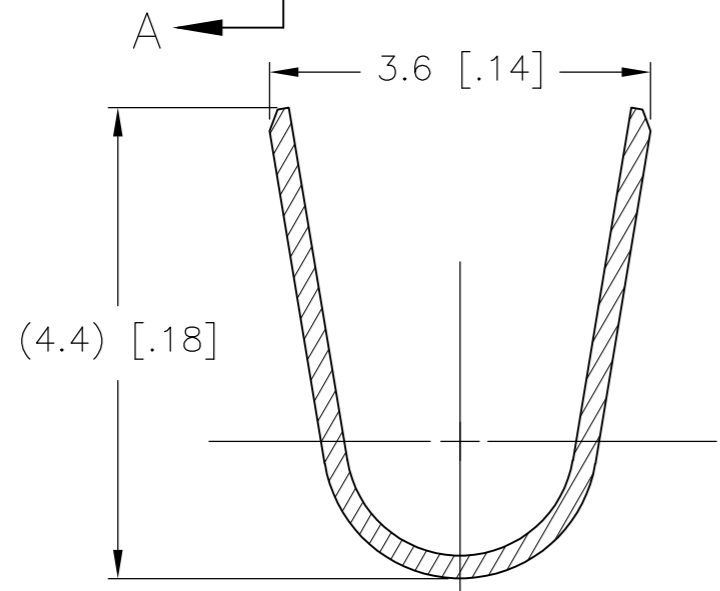
LOC		DIST		REVISIONS			
P	LTR	DESCRIPTION		DATE	DWN	APVD	
CM	00	H1	REVISED PER ECO-11-004917		11MAR11	RK	HMR



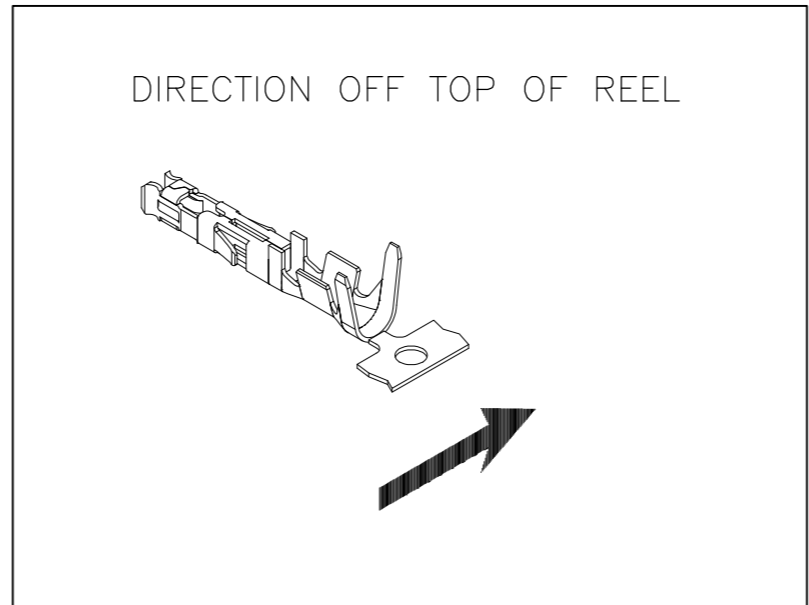
1. HAND TOOL PART NUMBER 734202-2.
2. EXTRACTION TOOL PART NUMBER 188688-1
3. LOOSE PIECE CONTACT
4. AMP TRADEMARK
5. MATERIAL PHOSPHOR BRONZE PRETINNED 1-3μm
6. CUT OFF DIMENSION FOR LOOSE PIECE CONTACT 0.5 [.02] MAXIMUM.
7. WIRE RANGE: 0.30-0.87mm² [.012-.034in²], (18-22 AWG).
8. INSULATION RANGE: 1.50-2.40 [.059-.094] DIAMETER.



SECTION B-B
SCALE 14:1



SECTION A-A
SCALE 14:1



METRIC

THIS DRAWING IS A CONTROLLED DOCUMENT.

DIMENSIONS: mm [INCHES]	TOLERANCES UNLESS OTHERWISE SPECIFIED:
	0 PLC ±
	1 PLC ±
	2 PLC ± 0.10 [.004]
	3 PLC ±
	4 PLC ±
	ANGLES ±
MATERIAL SEE CHART	FINISH SEE CHART

DWN S. HOOVER 29-JAN-2004	29-JAN-2004	
CHK D. COLEY 29-JAN-2004		
APVD D. COLEY 29-JAN-2004	NAME	
PRODUCT SPEC	APPLICATION SPEC	WEIGHT
CUSTOMER DRAWING	SCALE 14:1	SHEET 1 OF 1

3	PRETINNED	PHOSPHOR BRONZE	1-106529-2
	PRETINNED	PHOSPHOR BRONZE	106529-2
	FINISH	MATERIAL	PART NUMBER

OBsolete TE Connectivity
 SOCKET CONTACT
 AMP-DUAC™
 NOT the LATEST REVISION

X-ON Electronics

Largest Supplier of Electrical and Electronic Components

Click to view similar products for [Headers & Wire Housings](#) category:

Click to view products by [TE Connectivity](#) manufacturer:

Other Similar products are found below :

[892-18-020-10-001101](#) [58102-G61-06LF](#) [582553-1](#) [0009485154](#) [009176003701906](#) [0050291907](#) [LY20-4P-DT1-P1E-BR](#) [02.125.8002.8](#)
[609-3404](#) [61062-3](#) [61082-181009](#) [622-3653LF](#) [63453-116](#) [636-1030](#) [636-1427](#) [636-3427](#) [636-4007](#) [641938-9](#) [641991-4](#) [644827-2](#) [65817-](#)
[010LF](#) [65817-015LF](#) [65863-015LF](#) [66207-023LF](#) [67095-007LF](#) [67601157](#) [68645-018](#) [68648-049](#) [70.362.1628.0](#) [70-4210](#) [70-4226B](#) [70-](#)
[4853B](#) [707-5020](#) [707-5028](#) [71.350.2428.0](#) [71918-208LF](#) [71961-016LF](#) [733-134](#) [733-162](#) [754199-000](#) [760-3052](#) [787-8014-00](#) [79531-3000](#)
[FCN-360C032-B](#) [FCN-367T-T012/H](#) [FCN-723D010/2](#) [80.063.4001.1](#) [800-90-001-10-001000](#) [800-90-010-10-002000](#) [801-43-002-10-013000](#)