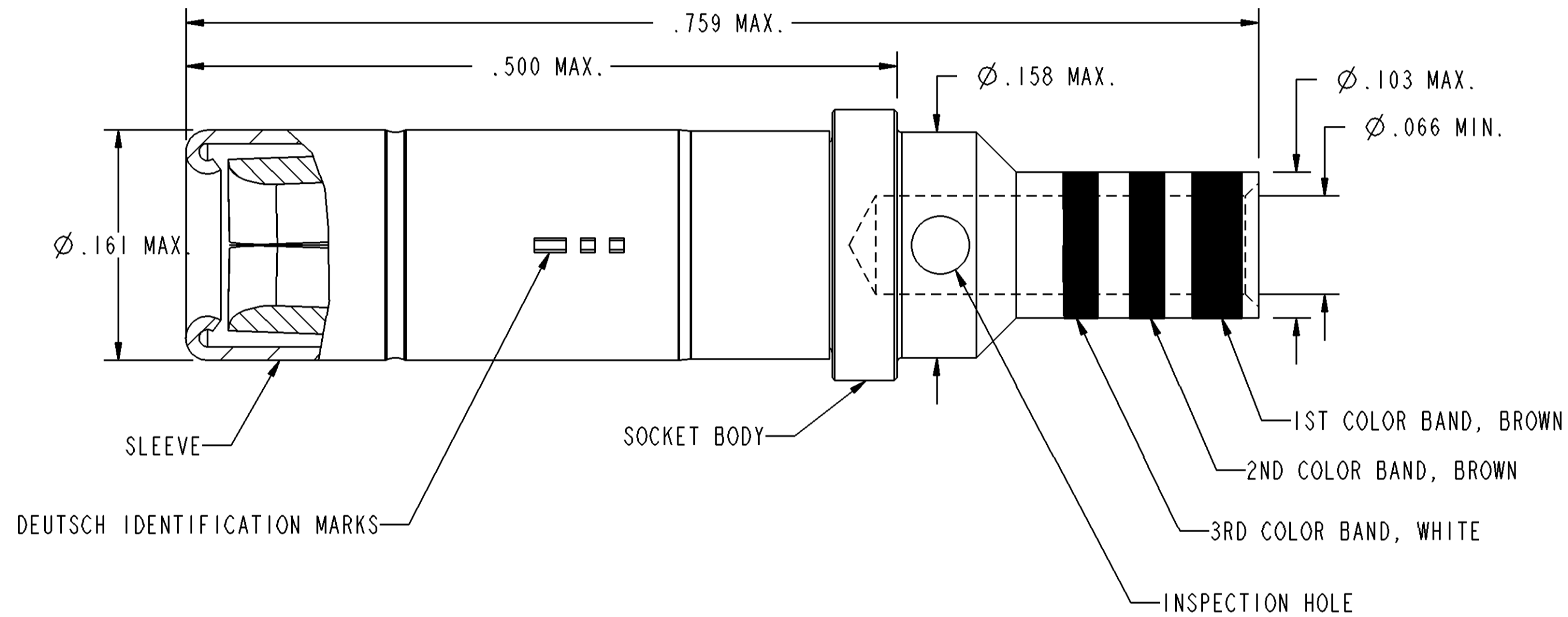


REV	109029	REVISION HISTORY			
-		REV	DESCRIPTION	DATE	APPROVED
		-	NEW RELEASE PER E.O. C7806	100315	A.R.



3. FINISH - SOCKET BODY: GOLD OVER NICKEL
SLEEVE: PASSIVATED

2. MATERIAL - SOCKET BODY: COPPER ALLOY
SLEEVE: STAINLESS STEEL

1. DIMENSIONS ARE IN INCHES UNLESS OTHERWISE SPECIFIED.

NOTES: UNLESS OTHERWISE SPECIFIED.

ALL SHEETS ARE THE SAME REVISION STATUS

PROPERTY OF DEUTSCH E.C.D. THIS DRAWING
CONTAINS PROPRIETARY INFORMATION THAT
SHALL NOT BE DISCLOSED, DUPLICATED, NOR
USED IN WHOLE OR IN PART FOR ANY PURPOSE
OTHER THAN TO EVALUATE THIS DRAWING

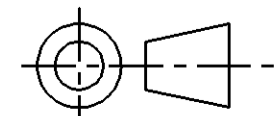
SIGNATURE & DATE

DR	H. ZORNES	090710
CHK	A.R.	100315
PE	H. ZORNES	090710
APPD	A.R.	100315

DEUTSCH
DEFENSE/AEROSPACE OPERATION
250 EDDIE JONES WAY
OCEANSIDE, CA 92058

TITLE CONTACT, SOCKET
SIZE 12, 16-20 GAGE WIRE DBA SERIES
ENVELOPE

THIRD ANGLE PROJECTION



MATERIAL	
FINISH	
MATERIAL CODE	

SIZE	CAGE CODE	DWG NO
C	11139	109029
SCALE	NONE	WEIGHT
	NONE	SHEET 1 OF 1

NBO

X-ON Electronics

Largest Supplier of Electrical and Electronic Components

Click to view similar products for [Circular MIL Spec Contacts](#) category:

Click to view products by [TE Connectivity](#) manufacturer:

Other Similar products are found below :

[006-1189-20](#) [71-VEAM](#) [809-023](#) [809-111](#) [811393-000](#) [850-014](#) [97-45-1418P-4\(0920\)](#) [97-45-1418S-4](#) [D-602-0106CS076](#) [AIC12-14P](#)
[AIC16-16PG](#) [AIC8-12P](#) [AIC8-8SG](#) [AIC8-8SRAD](#) [1495044-1](#) [BACC47CP2T](#) [BACC47DP4](#) [BACC47GC1A](#) [BACC47GN1](#) [16968/2C](#) [21-](#)
[033909-028](#) [241611N001](#) [2560-220-2031](#) [27964-38T112](#) [2M809-118](#) [97-67-36-20](#) [AIC12-16P](#) [AIC16-18PG](#) [AIC16-20PG](#) [AIC4-4PG](#)
[CE102S-18](#) [M39029/30-221](#) [M39029/30-222](#) [M39029/77-430](#) [416-2020-088I](#) [MDM-21SH003B-F222](#) [48-100-5014P-02](#) [BA-4020-50LD](#)
[BA-4120-50LD](#) [BACC47CN2](#) [BACC47CN3S](#) [BACC47GC3A](#) [BACC47GD3A](#) [BACC47GM1](#) [52G137 REV A](#) [CB2-18-21PS](#) [D-602-](#)
[1116CS2727](#) [D-602-1117CS2727](#) [419-2082-102](#) [419-2085-102](#)