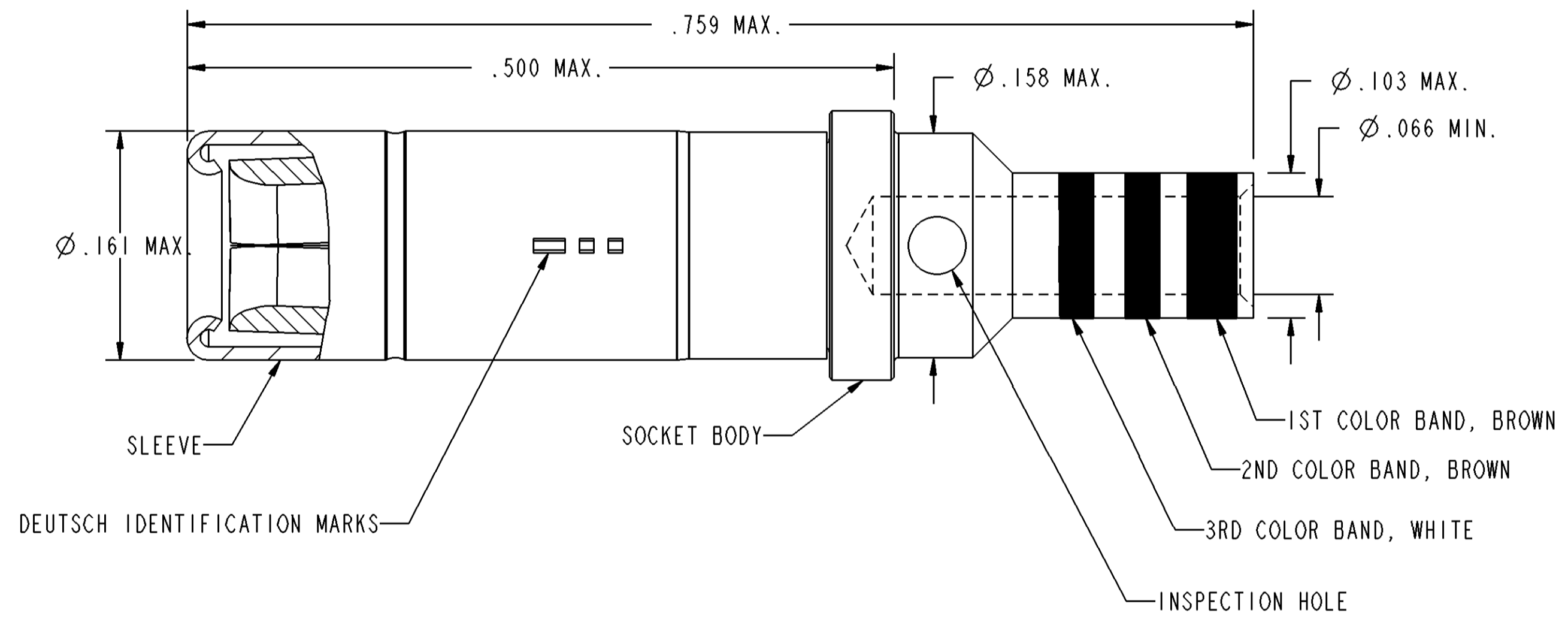


REV	109029	REVISION HISTORY			
		REV	DESCRIPTION	DATE	APPROVED
-		-	NEW RELEASE PER E.O. C7806	100315	A.R.

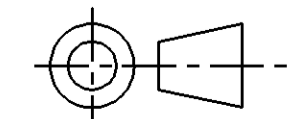


3. FINISH - SOCKET BODY: GOLD OVER NICKEL
SLEEVE: PASSIVATED
2. MATERIAL - SOCKET BODY: COPPER ALLOY
SLEEVE: STAINLESS STEEL
1. DIMENSIONS ARE IN INCHES UNLESS OTHERWISE SPECIFIED.

NOTES: UNLESS OTHERWISE SPECIFIED.

PROPERTY OF DEUTSCH E.C.D. THIS DRAWING CONTAINS PROPRIETARY INFORMATION THAT SHALL NOT BE DISCLOSED, DUPLICATED, NOR USED IN WHOLE OR IN PART FOR ANY PURPOSE OTHER THAN TO EVALUATE THIS DRAWING

THIRD ANGLE PROJECTION



SIGNATURE & DATE	
DR	H. ZORNES 090710
CHK	A.R. 100315
PE	H. ZORNES 090710
APPD	A.R. 100315

MATERIAL	
FINISH	
MATERIAL CODE	

ALL SHEETS ARE THE SAME REVISION STATUS



TITLE CONTACT, SOCKET
SIZE 12, 16-20 GAGE WIRE DBA SERIES
ENVELOPE

SIZE	C	CAGE CODE	11139	DWG NO	109029
SCALE	NONE	WEIGHT	NONE	SHEET	1 OF 1

NBO

X-ON Electronics

Largest Supplier of Electrical and Electronic Components

Click to view similar products for [I/O Connectors](#) category:

Click to view products by [TE Connectivity](#) manufacturer:

Other Similar products are found below :

[571763P](#) [58098-0628](#) [72.250.1628.2](#) [72.250.2428.2](#) [74720-0505](#) [76.350.0729.0](#) [76871-1403](#) [FCN-244F080-G/1](#) [FCN-260A9920](#) [PCR-E36PM](#) [PCS-XE26MA+](#) [G38A71314B](#) [1571250010](#) [157-22500-3](#) [MS3471L14-19P L/C](#) [172501-4002](#) [172501-6002](#) [FCN-260C008-A/L0](#) [FCN-260C024-AL0](#) [FCN-261Z008](#) [2000314-1](#) [200331-1](#) [PCR-E36FC+](#) [PCS-E28FS+](#) [PCS-XE26SLFD+](#) [PCS-XE26SLFDT+](#) [G730VID08BDC24](#) [U90B2054081210](#) [38113800006](#) [DP3AR020WQ1R200](#) [Z4.102.0680.0](#) [500-1040](#) [500-1052](#) [500-1054](#) [ZP-4008-66L](#) [0709821002](#) [DX40-20P\(55\)](#) [5554841-1](#) [MS3474W18-8P-LC*](#) [U90B3054061110](#) [U65-E04-4020](#) [ZPF000000000097891](#) [747360449](#) [10099439-003C-TRLF](#) [10137239-0021LF](#) [E9320-001-01](#) [10137239-0011LF](#) [70289-001LF](#) [70.060.1028.0](#) [109029-ZZ](#)