

THIS DRAWING IS UNPUBLISHED.

RELEASED FOR PUBLICATION

ALL RIGHTS RESERVED.

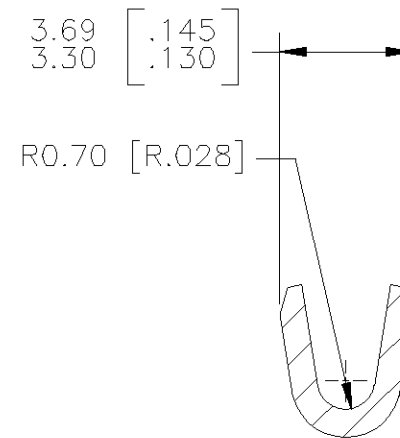
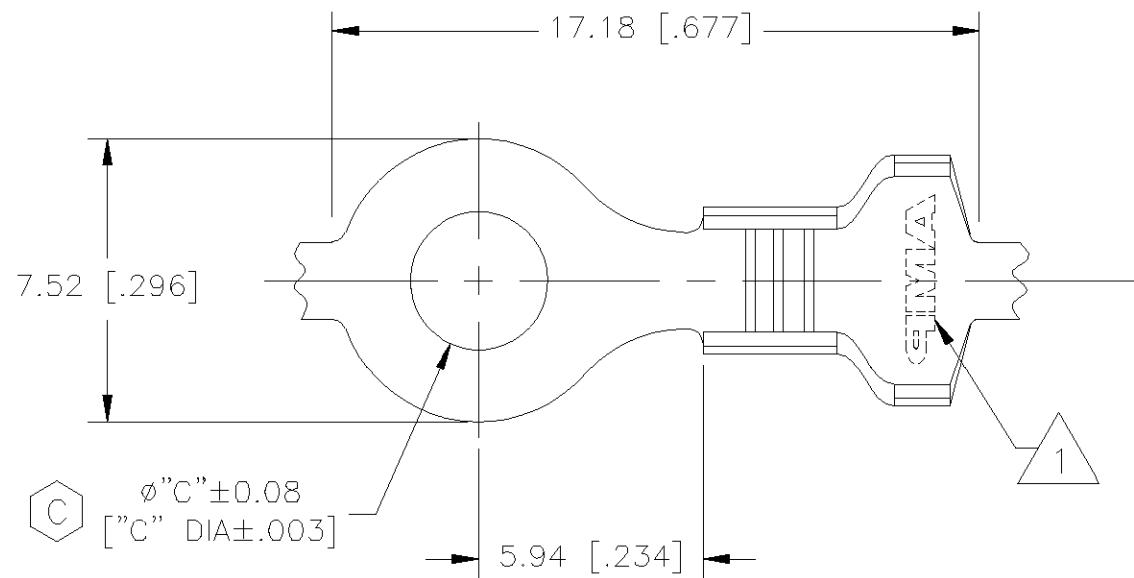
© COPYRIGHT

LOC
BG

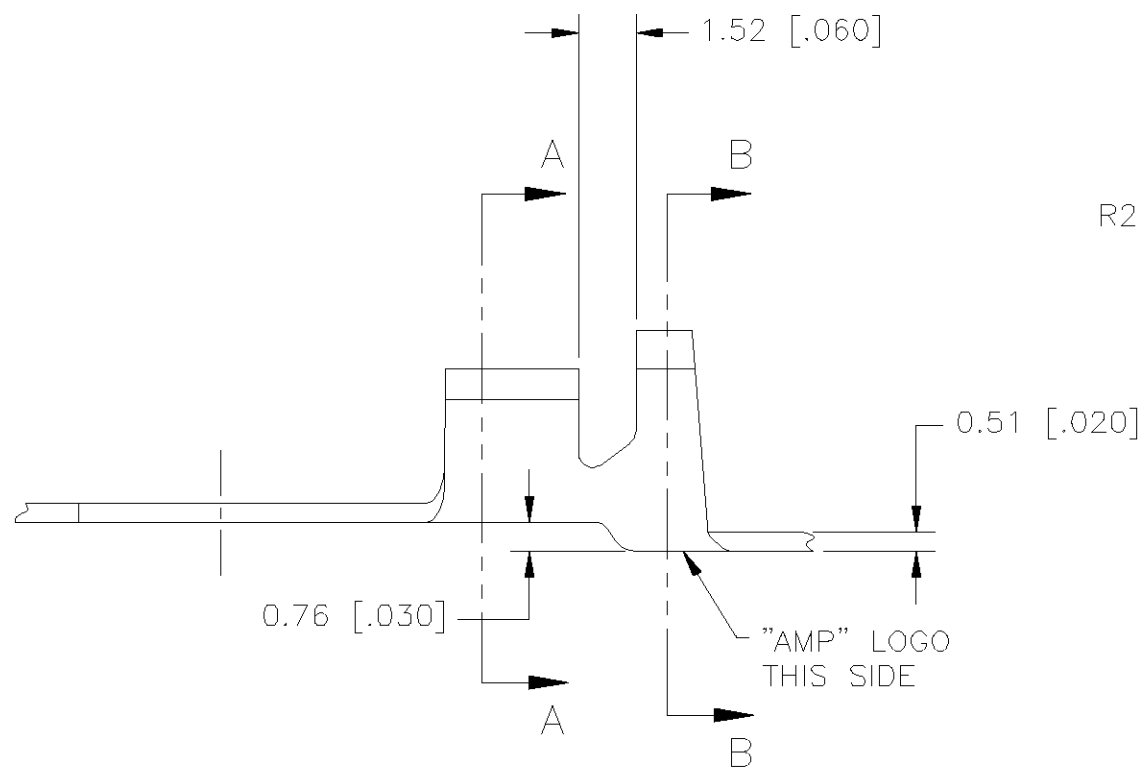
DIST
1

REVISIONS

P	LTR	DESCRIPTION	DATE	DWN	APVD
C1		REVISED PER ECO-11-005294	05APR11	RK	HMR



SECTION A-A



SECTION B-B

- 1 STAMPING: AMP.
- 2. WIRE INSULATION RANGE: 2.67 mm [.105 IN.] TO 4.32 mm [.170 IN.].
- 3. APPLICABLE WIRE GAGE RANGE: 18-14 AWG.
- 4. APPLICABLE STUD SIZES: #6, #8 & #10 STUDS.

5.36 [.211]	PRE-TINNED	#10	109452-6
5.36 [.211]	NONE	#10	109452-5
4.34 [.171]	PRE-TINNED	#8	109452-4
4.34 [.171]	NONE	#8	109452-3
3.71 [.146]	PRE-TINNED	#6	109452-2
3.71 [.146]	NONE	#6	109452-1
$\phi 'C'$	FINISH	STUD SIZE	PART NO.

THIS DRAWING IS A CONTROLLED DOCUMENT.		DWN D.RENNOX 29APR98	TE Connectivity													
DIMENSIONS: MM [INCHES]		CHK D.ALLEN 15JUN98														
TOLERANCES UNLESS OTHERWISE SPECIFIED:		APVD R.PANIZZA 16JUN98	NAME TERMINAL, RING TONGUE, OPEN BARREL, 18-14 AWG, .020 IN. THK., #6, #8, #10 STUDS													
<table border="0"> <tr> <td>0 PLC</td><td>± -</td> </tr> <tr> <td>1 PLC</td><td>± -</td> </tr> <tr> <td>2 PLC</td><td>± 0.13 [.005]</td> </tr> <tr> <td>3 PLC</td><td>± -</td> </tr> <tr> <td>4 PLC</td><td>± -</td> </tr> <tr> <td>ANGLES</td><td>± -</td> </tr> </table>		0 PLC	± -	1 PLC	± -	2 PLC	± 0.13 [.005]	3 PLC	± -	4 PLC	± -	ANGLES	± -	PRODUCT SPEC -	RESTRICTED TO -	
0 PLC	± -															
1 PLC	± -															
2 PLC	± 0.13 [.005]															
3 PLC	± -															
4 PLC	± -															
ANGLES	± -															
MATERIAL -		FINISH -	APPLICATION SPEC -	SIZE A3												
		WEIGHT -	CAGE CODE 00779													
		DRAWING NO 109452		SCALE NTS												
		CUSTOMER DRAWING		SHEET 1 OF 1												
				REV C1												

X-ON Electronics

Largest Supplier of Electrical and Electronic Components

Click to view similar products for [Terminals](#) category:

Click to view products by [TE Connectivity](#) manufacturer:

Other Similar products are found below :

[HT-13-10](#) [71M-250-32-NB](#) [01-2065-1-0216](#) [00581P0075](#) [M10-10RX](#) [M10BCK](#) [60205-1](#) [604200-1](#) [60598-1-CUT-TAPE](#) [60617-1-C](#) [60873-1](#) [M14-516R/SK](#) [M14-6RSX](#) [M18-8FBX](#) [M18-8R/LX](#) [M18BCK](#) [61314-6-C](#) [61-S](#) [61-SN-A](#) [62-NBM-A](#) [63-S](#) [640179-1](#) [640917-2-CUT-TAPE](#) [6501550002](#) [66107-2-C](#) [696683-1](#) [696834-1](#) [696861-1](#) [696931-1](#) [696999-1](#) [M8-516RK](#) [M86700006](#) [MA250DMFMX-A](#) [701-2007](#) [701-2307](#) [701-7761-03](#) [70F-110-32-PB](#) [718-N-A](#) [71M-187-20-NBL](#) [71M-250-32-NBL](#) [72F-187-20-NBL](#) [72M-250-32-NBL](#) [7310](#) [73F-250-32](#) [73F-250-32-NL](#) [F14-10C](#) [F-1M](#) [751-250](#) [76650-5002](#) [76828-149](#)