

C. Westlake 10-15-92  
 APPROVED BY/DATE  
 REV 2

SAFETY ORGANIZATION(S).

THIS FILTER HAS BEEN FORMALLY RECOGNIZED, CERTIFIED OR APPROVED BY THE LISTED AGENCY. THEREFORE, ALL TEST/REQUIREMENTS SPECIFIED IN THE LATEST REVISION OF THE FOLLOWING AGENCY STANDARDS HAVE BEEN MET:

UL RECOGNIZED  
 CSA CERTIFIED  
 VDE APPROVED

UL 1283  
 CSA 22.2, NO. 0.0.4, 8  
 VDE 565-3

OPERATING SPECIFICATIONS.

LINE VOLTAGE/CURRENT:  
 10 AMP., 120/250 VAC  
 8 AMP/40°C, 250 VAC  
 50-60Hz

LINE FREQUENCY:  
 .30 mA @ 120V 60Hz  
 .50 mA @ 250V 50Hz

MAX. LEAKAGE CURRENT, EACH  
 LINE TO GROUND

OPERATING AMBIENT TEMP. RANGE:  
 -10°C TO +40°C @ RATED CURRENT,  $I_r$

IN AN AMBIENT,  $T_a$ , HIGHER THAN 40°C, THE MAXIMUM OPERATING CURRENT,  $I_o$ , IS AS FOLLOWS:

$$I_o = I_r \sqrt{\frac{85 - T_a}{45}}$$

RELIABILITY SPECIFICATIONS.

STORAGE TEMPERATURE:  
 -25°C TO +85°C

HUMIDITY:  
 21 DAYS @ 40°C 95% RH

CURRENT OVERLOAD TEST:  
 6 TIMES RATED CURRENT FOR 8 SECONDS

TEST SPECIFICATIONS.

INDUCTANCE:  
 L 7.83 mH NOMINAL  
 N 7.866 mH NOMINAL

CAPACITANCE, (MEASURED @ 1 KHz, 0.25 VAC MAX., 25°C ±1°C)

LINE TO GROUND:  
 .004µF ±20%  
 .74µF ±20%

LINE TO LINE:  
 330KΩ

DISCHARGE RESISTOR:  
 6000 MΩ (MIN) AT 100 VDC

LINE/GROUND AND LINE/LINE  
 INSULATION RESISTANCE  
 (W/O DISCHARGE RESISTOR)  
 20°C AND 50% RH

RECOMMENDED RECEIVING INSPECTION HIPOUT.

2250 VDC FOR 1 MINUTE  
 1450 VDC FOR 1 MINUTE

FILTER APPROVAL.

THE BEST WAY TO SELECT AND QUALIFY A FILTER IS FOR YOUR ENGINEERING TO TEST THE UNIT IN YOUR EQUIPMENT.

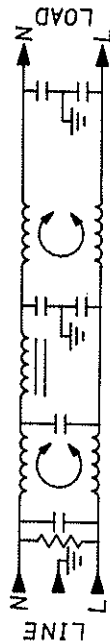
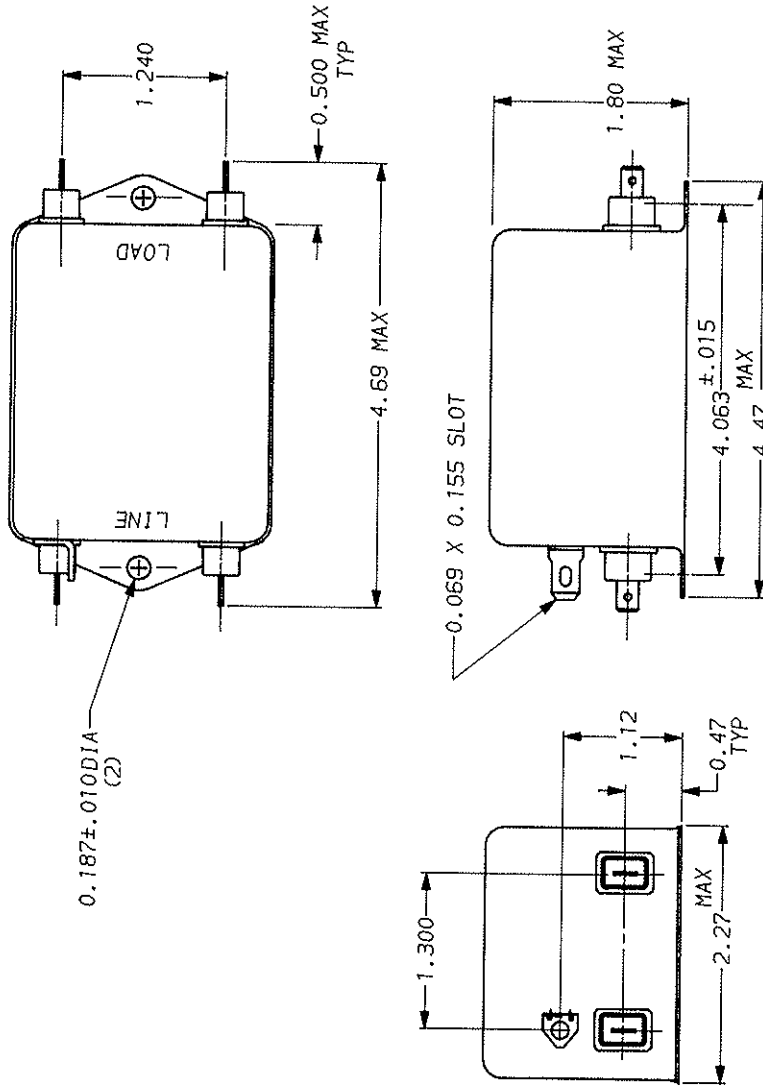
TOLERANCE EXCEPT AS NOTED

DECIMAL: .XXX .XX .X ANGLES  
 ENGLISH: ±.025 ±1°  
 METRIC: ±

MATERIAL: AS SUPPLIED

FINISH:

This document is proprietary to CORCOM INC. and is not to be reproduced nor used for manufacturing purposes except on CORCOM's order or prior written consent.



50Ω - 50Ω (MINIMUM) INSERTION LOSS											
FREQUENCY MHz	.01	.05	.07	.1	.15	.5	1	5	10	20	30
COMMON dB	8	15	15	18	42	64	65	65	65	60	60
DIFF. dB	5	5	5	26	40	65	65	60	70	70	70



POWER LINE FILTER

SCALE: NTS 8-16-90  
 DATE: 8-16-90  
 REV: 10EG1.02  
 DESIGNED BY: CFW  
 CHECKED BY: CFW

## X-ON Electronics

Largest Supplier of Electrical and Electronic Components

*Click to view similar products for [Power Line Filters](#) category:*

*Click to view products by [TE Connectivity](#) manufacturer:*

Other Similar products are found below :

[6609019-3](#) [6609026-5](#) [6609030-6](#) [6609973-2](#) [D30A](#) [7-1609090-5](#) [F2810](#) [F4456A](#) [F7382Z](#) [F7863Z](#) [FAHAV3100ZC000](#) [806276](#) [FN2020B-1-06](#) [FN2080B-10-06](#) [FN2410H-32-33](#) [FN2410H-80-34](#) [FP144](#) [FS4153-20-06](#) [FS4353-500-99](#) [12-MMB-030-11-D](#) [DB4-393](#) [15811T200](#) [20B1](#) [LC630](#) [2B1](#) [1609080-2](#) [1609993-8](#) [1-6609070-1](#) [F1100AA02](#) [F1150CC10](#) [F1500CA10](#) [F1500CA15](#) [F4041Z](#) [F7585E](#) [1B1](#) [FN2070A-16-06](#) [FN2090A-20-06](#) [FN2090B-12-06](#) [FN2090Z-1-06](#) [FN2410H-25-33](#) [FN2410H-60-34](#) [FN2410H-8-44](#) [FN2412H-8-44](#) [FN323B-6-01](#) [FN610R-3-06](#) [20EHQ7](#) [20EHZ7](#) [20K1](#) [30B6](#) [3K1](#)