

C. Westoby 11-18-91

DESCRIPTION	APP'D./DATE	REV
		3

SAFETY ORGANIZATION(S)

THIS FILTER HAS BEEN FORMALLY RECOGNIZED, CERTIFIED OR APPROVED BY THE LISTED AGENCY. THEREFORE, ALL TEST/REQUIREMENTS SPECIFIED IN THE LATEST REVISION OF THE FOLLOWING AGENCY STANDARDS HAVE BEEN MET.

UL RECOGNIZED
 CSA CERTIFIED
 VDE APPROVED

UL 544
 CSA 22.2, NO. 0, 0.4, 8
 VDE 565-3, 625

OPERATING SPECIFICATIONS:

LINE VOLTAGE/CURRENT:
 10 AMP., 120/250 VAC
 10 AMP./40°C, 250 VAC
 50-60HZ
 40°C

LINE FREQUENCY,
 MAX. CASE RISE & RATED CURRENT,
 MAX. LEAKAGE CURRENT, EACH
 LINE TO GROUND
 2µA at 120V 60 Hz
 5µA at 250V 50 Hz

OPERATING AMBIENT TEMP. RANGE,
 IN AN AMBIENT, T_a , HIGHER THAN 40°C, THE MAXIMUM OPERATING
 CURRENT, I_o , IS AS FOLLOWS:

$$I_o = I_r \sqrt{\frac{85-T_a}{45}}$$

RELIABILITY SPECIFICATIONS:

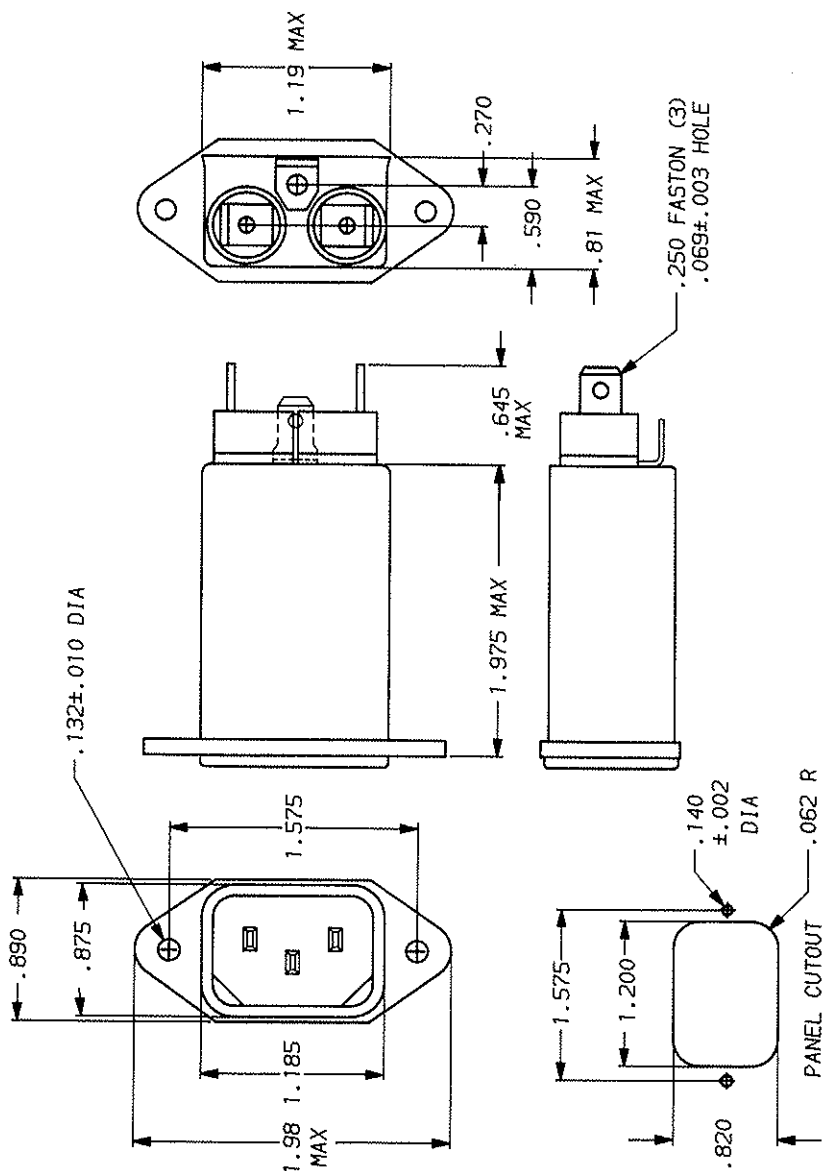
STORAGE TEMPERATURE,
 HUMIDITY,
 CURRENT OVERLOAD TEST,
 TEST SPECIFICATIONS:
 INDUCTANCE,
 CAPACITANCE, (MEASURED @ 1 KHz, 0.25 VAC MAX., 25°C ±1°C)
 LINE TO LINE,
 DISCHARGE RESISTOR,
 LINE/GROUND AND LINE/LINE
 INSULATION RESISTANCE
 (W/O DISCHARGE RESISTOR)
 RECOMMENDED RECEIVING INSPECTION HIPOT,
 LINES TO GROUND,
 LINE TO LINE,

-.275 mH NOMINAL (6nd Choke)
 .36 mH NOMINAL
 .01µF ±20%
 1.5 Ma
 6000 Ma (MIN) AT 100 VDC
 20°C AND 50% RH

2250 VDC FOR 1 MINUTE
 1450 VDC FOR 1 MINUTE

FILTER APPROVAL:

THE BEST WAY TO SELECT AND QUALIFY A FILTER IS FOR YOUR ENGINEERING TO TEST THE UNIT IN YOUR EQUIPMENT.



FREQUENCY MHZ	50α - 50α (MINIMUM) INSERTION LOSS									
	.15	1.0	2.0	5.0	10	20	30			
COMMON	7	13	15	17	17	16	15	14		
dB										

This document is proprietary to CORCOM INC. and is not to be reproduced nor used for manufacturing purposes except on CORCOM's order or prior written consent.

corcom
 LIBERTYVILLE, IL 60048

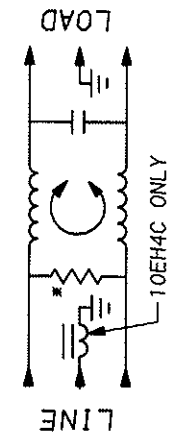
POWER LINE FILTER

SCALE	DATE	DRG. NO.	REV.
NTS	9-12-89	10EH4	3
DESIGN BY	ORIGINATOR	CW	
TDL			

TOLERANCE EXCEPT AS NOTED
 DECIMAL: .XXX .XX .X ANGLES
 ENGLISH: ±.015 ± 1°
 METRIC: ±

MATERIAL:
 AS SUPPLIED

FINISH:
 AS SUPPLIED



*RESISTOR ADDED TO PRODUCT BUILT AFTER 3-30-92 (9212).

X-ON Electronics

Largest Supplier of Electrical and Electronic Components

Click to view similar products for [AC Power Entry Modules](#) category:

Click to view products by [TE Connectivity](#) manufacturer:

Other Similar products are found below :

[0098.0050](#) [6167.0002](#) [6609100-2](#) [7-6609955-2](#) [FKI2-50-6/M5](#) [FN361-6-06](#) [FN389-4-22](#) [FN9226B-6-02](#) [FN9233S1-10-06](#) [FN9233S1-8-06](#)
[FN9233S1B-8-06](#) [FN9233S1R-1-06](#) [FN9233S1R-12-06](#) [FN9233SB-1-06](#) [FN9233SB-12-06](#) [FN9233SB-8-06](#) [FN9233SR-10-06](#) [FN9244B-15-06HI](#) [FN9244EB-3-06](#) [FN9244EB-8-06](#) [FN9244ER-15-06](#) [FN9244ER-8-06](#) [FN9244ES1-8-06](#) [FN9244ESB-8-06](#) [FN9244R-12-06](#)
[FN9244S1-12-06](#) [FN9244S1R-3-06](#) [FN9244SB-8-06](#) [FN9244SR-6-06](#) [FN9244U-3-06](#) [FN9244U-8-06](#) [8-6609940-2](#) [PE00SSSXB](#) [Fuse-H-EUR-1](#) [Fuse-H-USA-1](#) [PM00XD000](#) [A-0701-HT-H](#) [15EJMS8](#) [1-6609941-2](#) [200JM6-2](#) [CA121003-6](#) [SK-1015\(F1-5\)](#) [161-R3015-E](#) [1-6609153-2](#) [FN323-1-05](#) [FN9233B-8-06](#) [FN9233EB-1-06](#) [FN9233ES1R-10-06](#) [FN9233R-12-06](#) [FN9233S-10-06](#)