

SAFETY ORGANIZATION(S)

THIS FILTER HAS BEEN FORMALLY RECOGNIZED, CERTIFIED OR APPROVED BY THE LISTED AGENCY. THEREFORE, ALL TEST/REQUIREMENTS SPECIFIED IN THE LATEST REVISION OF THE FOLLOWING AGENCY STANDARDS HAVE BEEN MET.

- UL 544
- CSA 22.2, NO. 0.0.4, 8
- VDE 0565-3
- UL RECOGNIZED
- CSA CERTIFIED
- VDE APPROVED
- SEV APPROVAL PENDING

OPERATING SPECIFICATIONS

- LINE VOLTAGE/CURRENT, 10 AMP., 120/250 VAC
- 8 AMP./40°C, 250 VAC
- LINE FREQUENCY, 50-60Hz
- MAX. LEAKAGE CURRENT, EACH 2µA @ 120V 60Hz
- LINE TO GROUND 5µA @ 250V 50Hz
- OPERATING AMBIENT TEMP. RANGE, -10°C TO +40°C @ RATED CURRENT, I_r

IN AN AMBIENT, T_a, HIGHER THAN 40°C, THE MAXIMUM OPERATING CURRENT, I_o, IS AS FOLLOWS:

$$I_o = I_r \sqrt{\frac{85 - T_a}{45}}$$

RELIABILITY SPECIFICATIONS

- STORAGE TEMPERATURE, -25°C TO +85°C
- HUMIDITY, 21 DAYS @ 40°C 95% RH
- CURRENT OVERLOAD TEST, 5 TIMES RATED CURRENT FOR 8 SECONDS

TEST SPECIFICATIONS

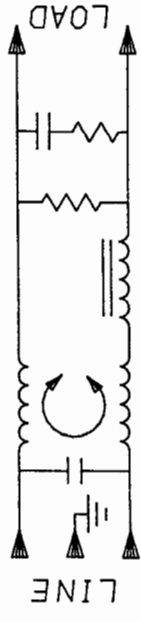
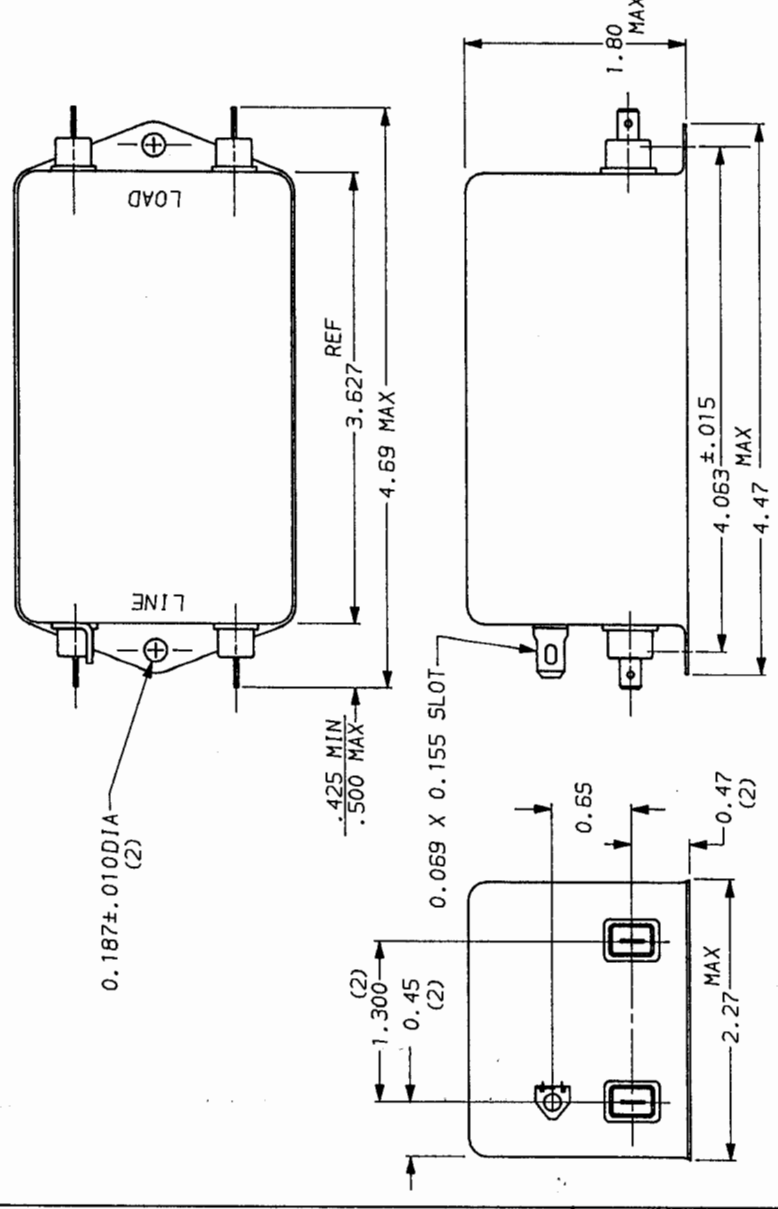
- INDUCTANCE, L-9.5mH NOMINAL
- CAPACITANCE, (MEASURED @ 1 KHz, 0.25 VAC MAX., 25°C ±1°C) N-9.57mH NOMINAL
- LINE TO LINE, 1.77µF ±20%

- DISCHARGE RESISTOR, 165KΩ
- LINE/GROUND AND LINE/LINE, 6000 MΩ (MIN) AT 100 VDC
- INSULATION RESISTANCE, 20°C AND 50% RH
- (W/O DISCHARGE RESISTOR)

RECOMMENDED RECEIVING INSPECTION HIPOTI.

- 2250 VDC FOR 1 MINUTE
- 1450 VDC FOR 1 MINUTE

FILTER APPROVAL:
 THE BEST WAY TO SELECT AND QUALIFY A FILTER IS FOR YOUR ENGINEERING TO TEST THE UNIT IN YOUR EQUIPMENT.



50Ω - 50Ω (MINIMUM) INSERTION LOSS												
FREQUENCY	01	02	05	15	5	1	2	5	8	10	20	30
COMMON	9	15	24	36	42	34	22	11	14	12	8	8
DIFF.	7	8	17	52	70	70	65	65	55	40	35	
dB												

This document is proprietary to CORCOM INC. and is not to be reproduced nor used for manufacturing purposes except on CORCOM's order or prior written consent.

TOLERANCE EXCEPT AS NOTED
 DECIMAL, .XXX .XX .X ANGLES
 ENGLISH, ±.025
 METRIC, ±

MATERIAL: AS SUPPLIED

FINISH:



POWER LINE FILTER

SCALE	DATE	DRG. NO.	REV.
NTS	7-21-92		1 OEHT1.01
DRW. BY	CFW	CFW	

X-ON Electronics

Largest Supplier of Electrical and Electronic Components

Click to view similar products for [Power Line Filters](#) category:

Click to view products by [TE Connectivity](#) manufacturer:

Other Similar products are found below :

[6609019-3](#) [6609026-5](#) [6609030-6](#) [6609973-2](#) [D30A](#) [7-1609090-5](#) [F2810](#) [F4456A](#) [F7382Z](#) [F7863Z](#) [FAHAV3100ZC000](#) [806276](#) [FN2020B-1-06](#) [FN2080B-10-06](#) [FN2410H-32-33](#) [FP144](#) [FS4153-20-06](#) [FS4353-500-99](#) [12-MMB-030-11-D](#) [DB4-393](#) [15811T200](#) [20B1](#) [LC630](#) [2B1](#) [1609080-2](#) [1609993-8](#) [1-6609070-1](#) [F1100AA02](#) [F1150CC10](#) [F1500CA10](#) [F1500CA15](#) [F4041Z](#) [F7585E](#) [1B1](#) [FN2070A-16-06](#) [FN2090A-20-06](#) [FN2090B-12-06](#) [FN2090Z-1-06](#) [FN2410H-25-33](#) [FN2410H-60-34](#) [FN2410H-8-44](#) [FN2412H-8-44](#) [FN323B-6-01](#) [FN3258H-130-35](#) [FN610R-3-06](#) [20EHQ7](#) [20EHZ7](#) [20K1](#) [30B6](#) [3K1](#)