

SAFETY ORGANIZATION(S):

THIS FILTER HAS BEEN FORMALLY RECOGNIZED, CERTIFIED OR APPROVED BY THE LISTED AGENCY. THEREFORE, ALL TEST/REQUIREMENTS SPECIFIED IN THE LATEST REVISION OF THE FOLLOWING AGENCY STANDARDS HAVE BEEN MET.

UL 544
 CSA 22.2, NO. 0, 0.4, 8
 VDE 0565-3

UL RECOGNIZED
 CSA CERTIFIED
 VDE APPROVED
 SEV APPROVAL PENDING

OPERATING SPECIFICATIONS:
 LINE VOLTAGE/CURRENT:

10 AMP., 120/250 VAC
 8 AMP./40°C, 250 VAC

LINE FREQUENCY:
 MAX. LEAKAGE CURRENT, EACH
 LINE TO GROUND

50-60Hz
 2µA @ 120V 60Hz
 5µA @ 250V 50Hz

OPERATING AMBIENT TEMP. RANGE:

-10°C TO +40°C @ RATED CURRENT, I_r
 IN AN AMBIENT, T_a, HIGHER THAN 40°C, THE MAXIMUM OPERATING
 CURRENT, I_o, IS AS FOLLOWS:

$$I_o = I_r \sqrt{\frac{85-T_a}{45}}$$

RELIABILITY SPECIFICATIONS:

STORAGE TEMPERATURE:

-25°C TO +85°C

21 DAYS @ 40°C 95% RH

6 TIMES RATED CURRENT FOR 8 SECONDS

CURRENT OVERLOAD TEST:

L-9.5mH NOMINAL

N-9.57mH NOMINAL

CAPACITANCE, (MEASURED @ 1 KHz, 0.25 VAC MAX., 25°C ±1°C)

1.77µF ±20%

LINE TO LINE:

DISCHARGE RESISTOR:

165KΩ

6000 MΩ (MIN) AT 100 VDC

INSULATION RESISTANCE

(W/O DISCHARGE RESISTOR)

2250 VDC FOR 1 MINUTE

1450 VDC FOR 1 MINUTE

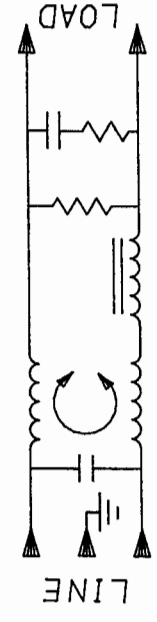
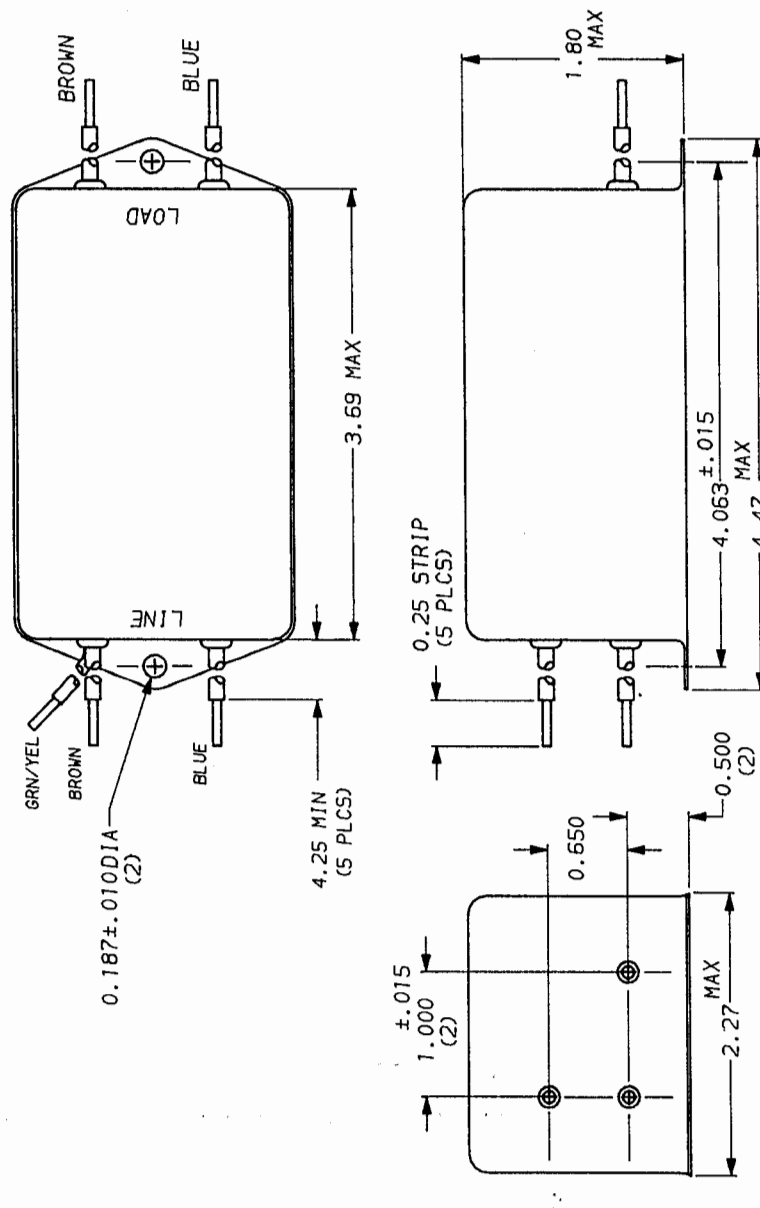
RECOMMENDED RECEIVING INSPECTION HIPOTI.

LINES TO GROUND: 2250 VDC FOR 1 MINUTE

LINE TO LINE: 1450 VDC FOR 1 MINUTE

FILTER APPROVAL:

THE BEST WAY TO SELECT AND QUALIFY A FILTER IS FOR YOUR ENGINEERING
 TO TEST THE UNIT IN YOUR EQUIPMENT.



50Ω - 50Ω (MINIMUM) INSERTION LOSS												
FREQUENCY MHz	.01	.02	.05	.15	.50	1	2	5	8	10	20	30
COMMON	9	15	24	36	42	34	22	11	14	12	8	8
DIFF.	7	8	17	52	70	70	65	65	55	40	35	

This document is proprietary to CORCOM INC. and is not
 to be reproduced nor used for manufacturing purposes
 except on CORCOM's order or prior written consent.



POWER LINE FILTER

SCALE	DRG. NO.	REV.
NTS	7-21-92	10EHT3.01
DRW. BY	ORIGINATOR	
CFW	CFW	

X-ON Electronics

Largest Supplier of Electrical and Electronic Components

Click to view similar products for [Power Line Filters](#) category:

Click to view products by [TE Connectivity](#) manufacturer:

Other Similar products are found below :

[6609019-3](#) [6609026-5](#) [6609030-6](#) [6609973-2](#) [D30A](#) [7-1609090-5](#) [F2810](#) [F4456A](#) [F7382Z](#) [F7863Z](#) [FAHAV3100ZC000](#) [806276](#) [FN2020B-1-06](#) [FN2080B-10-06](#) [FN2410H-32-33](#) [FP144](#) [FS4153-20-06](#) [FS4353-500-99](#) [12-MMB-030-11-D](#) [DB4-393](#) [15811T200](#) [20B1](#) [LC630](#) [2B1](#) [1609080-2](#) [1609993-8](#) [1-6609070-1](#) [F1100AA02](#) [F1150CC10](#) [F1500CA10](#) [F1500CA15](#) [F4041Z](#) [F7585E](#) [1B1](#) [FN2070A-16-06](#) [FN2090A-20-06](#) [FN2090B-12-06](#) [FN2090Z-1-06](#) [FN2410H-25-33](#) [FN2410H-60-34](#) [FN2410H-8-44](#) [FN2412H-8-44](#) [FN323B-6-01](#) [FN3258H-130-35](#) [FN610R-3-06](#) [20EHQ7](#) [20EHZ7](#) [20K1](#) [30B6](#) [3K1](#)