

SAFETY ORGANIZATION(S):

THIS FILTER HAS BEEN FORMALLY RECOGNIZED, CERTIFIED OR APPROVED BY THE LISTED AGENCY. THEREFORE, ALL TEST/REQUIREMENTS SPECIFIED IN THE LATEST REVISION OF THE FOLLOWING AGENCY STANDARDS HAVE BEEN MET:

- UL 1283
- UL RECOGNIZED
- CSA 22.2, NO.0,0,4,8
- CSA CERTIFIED
- VDE 565-3
- VDE APPROVED
- SEV 1055/TP1977/5.1.1
- SEV APPROVED

OPERATING SPECIFICATIONS:

- LINE VOLTAGE/CURRENT: 10 AMP., 120/250 VAC
- 8 AMP./40°C, 250 VAC
- 50-60HZ
- LINE FREQUENCY: .3mA @ 120V 60HZ
- MAX. LEAKAGE CURRENT, EACH .5mA @ 250V 50HZ
- LINE TO GROUND
- OPERATING AMBIENT TEMP. RANGE: -10°C TO +40°C @ RATED CURRENT, I_r

IN AN AMBIENT, T_a, HIGHER THAN 40°C, THE MAXIMUM OPERATING CURRENT, I_o, IS AS FOLLOWS:

$$I_o = I_r \sqrt{\frac{85 - T_a}{45}}$$

RELIABILITY SPECIFICATIONS:

- STORAGE TEMPERATURE: -25°C TO +85°C
- HUMIDITY: 21 DAYS @ 40°C 95% RH
- CURRENT OVERLOAD TEST: 6 TIMES RATED CURRENT FOR 8 SECONDS

TEST SPECIFICATIONS:

- INDUCTANCE: L-9.5mH NOMINAL
- N-9.57mH NOMINAL
- CAPACITANCE: (MEASURED @ 1 KHz, 0.25 VAC MAX., 25°C ±1°C)
- LINE TO GROUND: .004µF ±20%
- LINE TO LINE: 1.77µF ±20%
- DISCHARGE RESISTOR: 165KΩ
- LINE/GROUND AND LINE/LINE INSULATION RESISTANCE: 6000 MΩ (MIN) AT 100 VDC
- (W/O DISCHARGE RESISTOR) 20°C AND 50% RH

RECOMMENDED RECEIVING INSPECTION HIPOUT:

- LINES TO GROUND: 2250 VDC FOR 1 MINUTE
- LINE TO LINE: 1450 VDC FOR 1 MINUTE

FILTER APPROVAL:

THE BEST WAY TO SELECT AND QUALIFY A FILTER IS FOR YOUR ENGINEERING TO TEST THE UNIT IN YOUR EQUIPMENT.

TOLERANCE EXCEPT AS NOTED

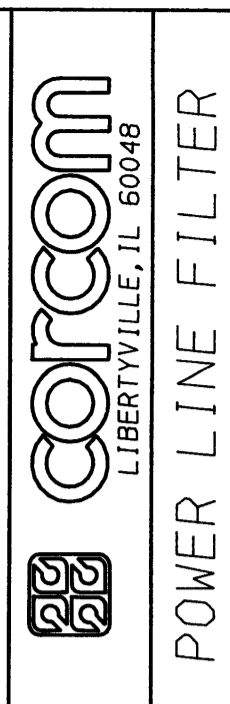
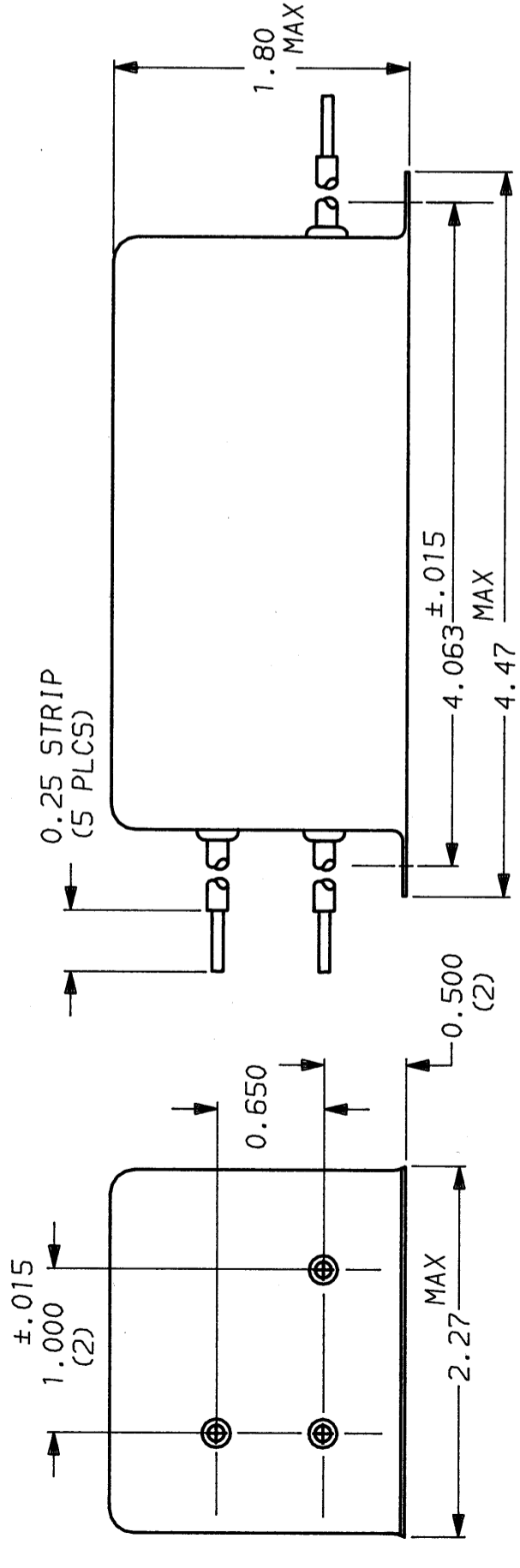
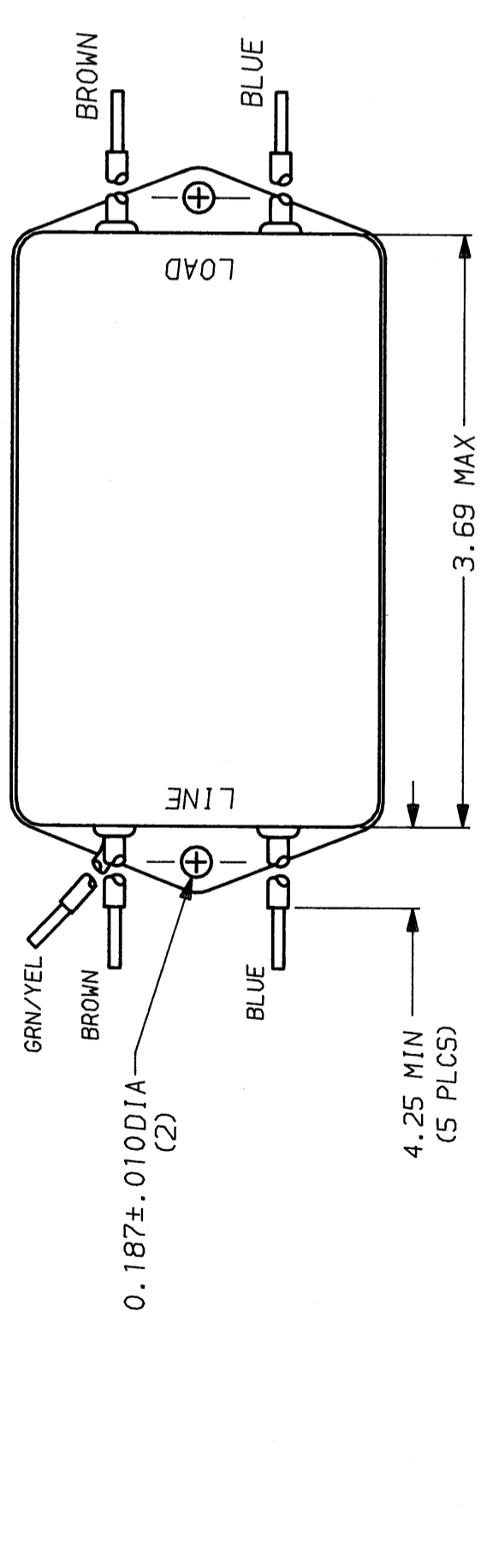
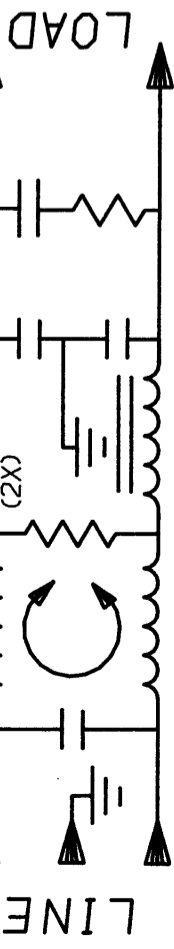
DECIMAL: .XXX .XX .X ANGLES ± 1°
ENGLISH: ±.025
METRIC: ±

MATERIAL: AS SUPPLIED

FINISH:

50Ω - 50Ω (MINIMUM) INSERTION LOSS												
FREQUENCY MHz	.01	.02	.05	.15	.50	1.0	2.0	5.0	8.0	10	20	30
COMMON	12	18	26	36	47	42	42	40	45	42	42	45
DIFF. dB	7	8	17	52	70	70	70	65	65	55	50	60

This document is proprietary to CORCOM INC. and is not to be reproduced nor used for manufacturing purposes except on CORCOM's order or prior written consent.



POWER LINE FILTER

SCALE	DATE	DRG. NO.	REV.
NTS	5-12-88		10ET3.01
DRW. BY	ORIGINATOR		
TDL	CW		

X-ON Electronics

Largest Supplier of Electrical and Electronic Components

Click to view similar products for [Power Line Filters](#) category:

Click to view products by [TE Connectivity](#) manufacturer:

Other Similar products are found below :

[6609019-3](#) [6609026-5](#) [6609030-6](#) [6609973-2](#) [D30A](#) [7-1609090-5](#) [F2810](#) [F4456A](#) [F7382Z](#) [F7863Z](#) [FAHAV3100ZC000](#) [806276](#) [FN2020B-1-06](#) [FN2080B-10-06](#) [FN2410H-32-33](#) [FN2410H-80-34](#) [FP144](#) [FS4153-20-06](#) [FS4353-500-99](#) [12-MMB-030-11-D](#) [DB4-393](#) [15811T200](#) [20B1](#) [LC630](#) [2B1](#) [1609080-2](#) [1609993-8](#) [1-6609070-1](#) [F1100AA02](#) [F1150CC10](#) [F1500CA10](#) [F1500CA15](#) [F4041Z](#) [F7585E](#) [1B1](#) [FN2070A-16-06](#) [FN2090A-20-06](#) [FN2090B-12-06](#) [FN2090Z-1-06](#) [FN2410H-25-33](#) [FN2410H-60-34](#) [FN2410H-8-44](#) [FN2412H-8-44](#) [FN323B-6-01](#) [FN3258H-130-35](#) [FN610R-3-06](#) [20EHQ7](#) [20EHZ7](#) [20K1](#) [30B6](#)