

SAFETY ORGANIZATION(S):

THIS FILTER HAS BEEN FORMALLY RECOGNIZED, CERTIFIED OR APPROVED BY THE LISTED AGENCY. THEREFORE, ALL TEST/REQUIREMENTS SPECIFIED IN THE LATEST REVISION OF THE FOLLOWING AGENCY STANDARDS HAVE BEEN MET:

- UL 1283
- CSA 22.2, NO. 0.0.4, 8
- VDE 565-3

OPERATING SPECIFICATIONS:

- LINE VOLTAGE/CURRENT: 10 AMP., 120/250 VAC
- 8 AMP./40°C, 250 VAC
- 50-60Hz
- 40°C
- LINE FREQUENCY: .5mA at 120V 60 Hz
- MAX. CASE RISE θ RATED CURRENT: 1.0 mA at 250V 50 Hz
- MAX. LEAKAGE CURRENT, EACH LINE TO GROUND: -10°C TO +40°C θ RATED CURRENT, I_r
- OPERATING AMBIENT TEMP. RANGE: IN AN AMBIENT, T_a , HIGHER THAN 40°C, THE MAXIMUM OPERATING CURRENT, I_o , IS AS FOLLOWS:

$$I_o = I_r \sqrt{\frac{85-T_a}{45}}$$

RELIABILITY SPECIFICATIONS:

- STORAGE TEMPERATURE: -40°C TO +85°C
- HUMIDITY: 21 DAYS θ 40°C 95% RH
- CURRENT OVERLOAD TEST: 6 TIMES RATED CURRENT FOR 8 SECONDS

TEST SPECIFICATIONS:

- INDUCTANCE: .495 mH NOMINAL
- CAPACITANCE: (MEASURED θ 1 KHz, 0.25 VAC MAX., 25°C \pm 1°C)
- LINE TO GROUND: .011 μ F \pm 20%
- LINE TO LINE: .203 μ F \pm 20%
- DISCHARGE RESISTOR: 1.5M Ω
- LINE/GROUND AND LINE/LINE INSULATION RESISTANCE: 6000 M Ω (MIN) AT 100 VDC
- 20°C AND 50% RH

RECOMMENDED RECEIVING INSPECTION HIPOT:

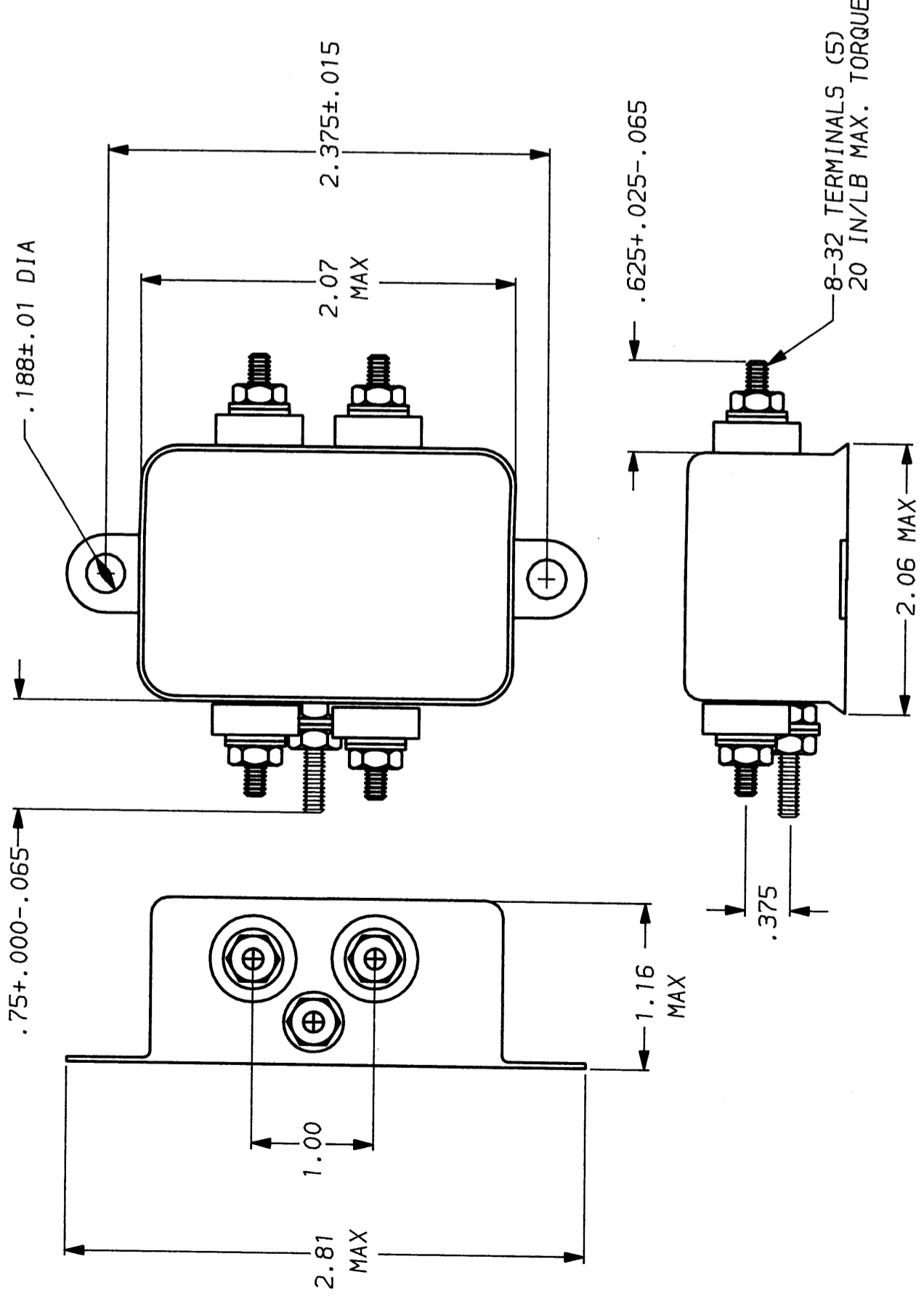
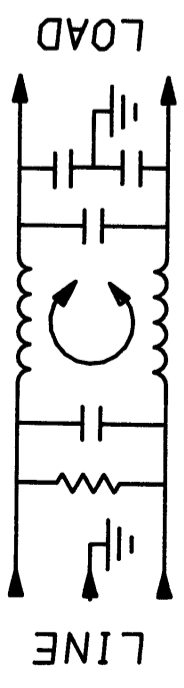
- LINES TO GROUND: 2250 VDC FOR 1 MINUTE
- LINE TO LINE: 1450 VDC FOR 1 MINUTE

FILTER APPROVAL:

THE BEST WAY TO SELECT AND QUALIFY A FILTER IS FOR YOUR ENGINEERING TO TEST THE UNIT IN YOUR EQUIPMENT.

50 Ω - 50 Ω (MINIMUM) INSERTION LOSS									
FREQUENCY MHz	.15	.5	1.0	2.0	5.0	10	20	30	
COMMON dB	11	23	28	34	42	47	49	50	
DIFF. dB	10	5	35	52	65	60	55	55	

This document is proprietary to CORCOM INC. and is not to be reproduced nor used for manufacturing purposes except on CORCOM's order or prior written consent.



CORCOM
 LIBERTYVILLE, IL 60048

POWER LINE FILTER

SCALE	DATE	DRG. NO.	REV.
NTS	7-31-90	10VK6.03	
DRW. BY	ORIGINATOR		
CFW	CFW		

X-ON Electronics

Largest Supplier of Electrical and Electronic Components

Click to view similar products for [Power Line Filters](#) category:

Click to view products by [TE Connectivity](#) manufacturer:

Other Similar products are found below :

[6609019-3](#) [6609026-5](#) [6609030-6](#) [6609973-2](#) [D30A](#) [7-1609090-5](#) [F2810](#) [F4456A](#) [F7382Z](#) [F7863Z](#) [FAHAV3100ZC000](#) [806276](#) [FN2020B-1-06](#) [FN2080B-10-06](#) [FN2410H-32-33](#) [FN2410H-80-34](#) [FP144](#) [FS4153-20-06](#) [FS4353-500-99](#) [12-MMB-030-11-D](#) [DB4-393](#) [15811T200](#) [20B1](#) [LC630](#) [2B1](#) [1609080-2](#) [1609993-8](#) [1-6609070-1](#) [F1100AA02](#) [F1150CC10](#) [F1500CA10](#) [F1500CA15](#) [F4041Z](#) [F7585E](#) [1B1](#) [FN2070A-16-06](#) [FN2090A-20-06](#) [FN2090B-12-06](#) [FN2090Z-1-06](#) [FN2410H-25-33](#) [FN2410H-60-34](#) [FN2410H-8-44](#) [FN2412H-8-44](#) [FN323B-6-01](#) [FN3258H-130-35](#) [FN610R-3-06](#) [20EHQ7](#) [20EHZ7](#) [20K1](#) [30B6](#)