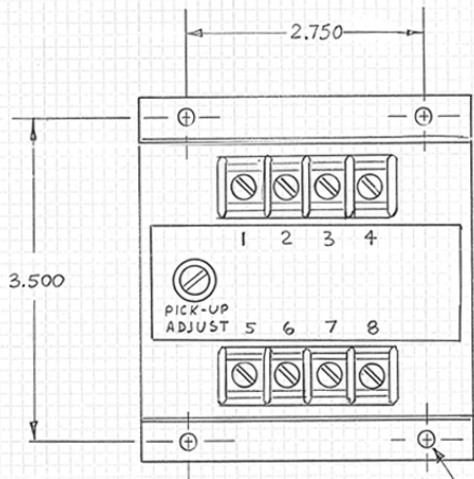
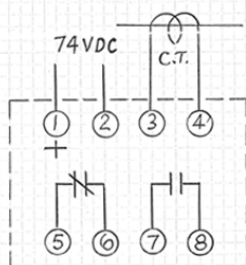


| REVISIONS | | | | |
|-----------|-----|-------------|------|----------|
| ZONE | LTR | DESCRIPTION | DATE | APPROVED |



1/16" DIA.
4 MTG. HOLES

CONNECTIONS



SPECIFICATIONS

LINE CURRENT: 0-5 AMPS AC, SINGLE PHASE, 50-400HZ, DIRECT OR FROM C.T.

CONTROL VOLTAGE: 74VDC ± 15%

OPERATION: THE SELF CONTAINED OUTPUT RELAY ACTUATES WHEN THE LINE CURRENT EXCEEDS THE PRESET VALUE.

TRIP POINT: SCREWDRIVER ADJUSTABLE, 1.0 TO 5.0 AMPS.

PICK-UP TO DROP-OUT DIFFERENTIAL: 0.1 AMP. APPROX.

OVERCURRENT ALLOWANCE: MAXIMUM 500% FOR .25 SECONDS.

SURGE WITHSTAND CAPABILITY: IN COMPLIANCE WITH THE REQUIREMENTS OF ANSI/IEEE C37.90a.

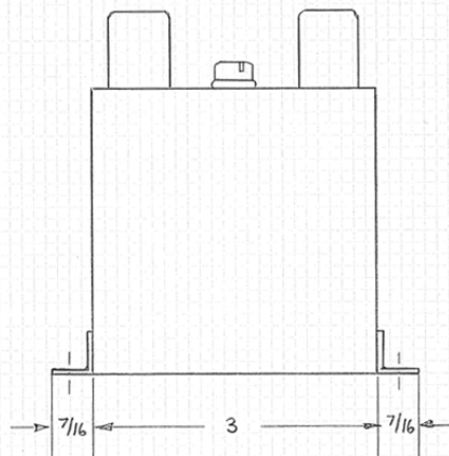
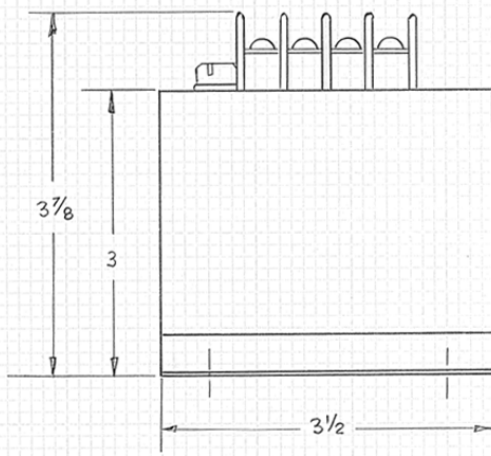
OPERATING TEMPERATURE: -40°C TO +70°C

TEMPERATURE DRIFT (TRIP POINT): ± .05%/°C

BURDEN: CURRENT INPUT: 1.2 VA
CONTROL VOLTAGE: 2.5 VA

OUTPUT CONTACTS: ONE SET NORMALLY OPEN
ONE SET NORMALLY CLOSED
RATED 5AMP. RESISTIVE AT 120VAC OR 28VDC

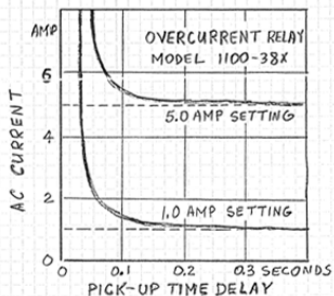
CONSTRUCTION: SOLID STATE SENSOR WITH RELAY OUTPUT ENCLOSED IN A SEALED STEEL CAN.



NOTES

1. REMOVE BLACK SCREW FOR ACCESS TO THE PICK-UP ADJUSTMENT.
2. CLOCKWISE ROTATION OF THE PICK-UP ADJUSTMENT WILL RAISE THE CURRENT TRIP POINT.

TYPICAL CURVES



CD- CUSTOMER DRAWING

| QTY REQD. | SYM | DESCRIPTION | CODE IDENT NO. | PART NO. | SPEC | MATERIAL OR NOTE |
|-----------|-----|-------------|----------------|----------|------|------------------|
|-----------|-----|-------------|----------------|----------|------|------------------|

LIST OF MATERIAL

| | | | | | | |
|---|-----------------|-------------------|---|----------|--|--|
| UNLESS OTHERWISE SPECIFIED DIMENSIONS ARE IN INCHES TOLERANCES ON FRACTIONS DECIMALS ANGLES ± 1/32 ± .010 ± 1/20° | CONTRACT NO. | | WILMAR ELECTRONICS, INC. 2430 AMSLER STREET TORRANCE, CALIFORNIA 90505 | | | |
| | DRAWN | E.R.H. 10-20-92 | | | | |
| | CHECKED | C.H. 10-20-92 | TITLE | | | |
| | DESIGN APPROVAL | | OVERCURRENT RELAY MODEL 1100-38X | | | |
| PROJECT APPROVAL | | SIZE | CODE IDENT NO. | DWG. NO. | | |
| DESIGN ACTIVITY APPROVAL | | C | 25248 | 21-772 | | |
| APPROVAL | | SCALE FULL WEIGHT | | SHEET | | |

X-ON Electronics

Largest Supplier of Electrical and Electronic Components

Click to view similar products for [Safety Relays](#) category:

Click to view products by [TE Connectivity](#) manufacturer:

Other Similar products are found below :

[7-1618103-5](#) [1351-1X](#) [1618089-2](#) [C200HDA003](#) [C200HMR432](#) [C200HMR832](#) [C200HMR833](#) [20-050-36X](#) [C500OD415CN](#) [2-1618068-0](#)
[25994](#) [9-1618103-2](#) [SP10-ETL01](#) [21-890](#) [3-1618060-0](#) [C200HNC112](#) [C200HOD214](#) [C500CN812N](#) [1100X](#) [1100-42X](#) [1-1618062-0](#) [6-](#)
[1618082-4](#) [7-1618103-6](#) [50.12.9.110.1000](#) [SP16DRD](#) [SP16DRA](#) [XPSAXE5120P](#) [XPSECPE5131P](#) [C500-CE243](#) [607.5111.020](#) [439390016](#)
[607.5111.009](#) [607.5111.010](#) [PSR-MM25-1NO-2DO-24DC-SC](#) [NXSL5500](#) [600PSR-165/300-CU](#) [SR4D4110](#) [J73KN-AM-22](#) [G7SA-3A1B](#)
[DC12](#) [G7SA-4A2B](#) [DC12](#) [G7SA-3A1B](#) [DC48](#) [G7SA-2A2B](#) [DC48](#) [ES-FA-9AA](#) [50.12.9.024.5000](#) [44510-2310](#) [V23047-A1036-A501](#) [44510-](#)
[1081](#) [44510-2021](#) [44510-2232](#) [WUF-12-5060-T](#)