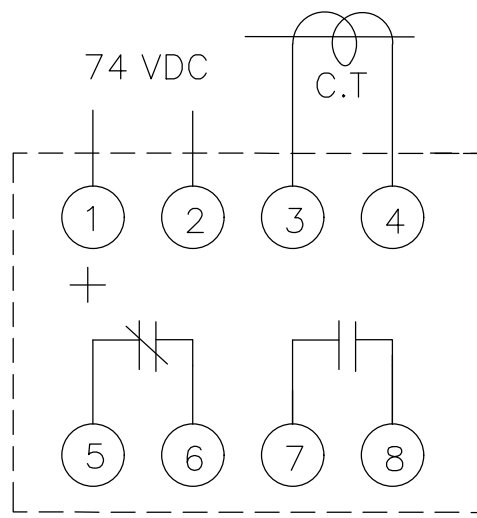


P	LTR	DESCRIPTION	DATE	DWN	APVD
	B	ECO	21AUG2020	VR	TN

CONNECTION

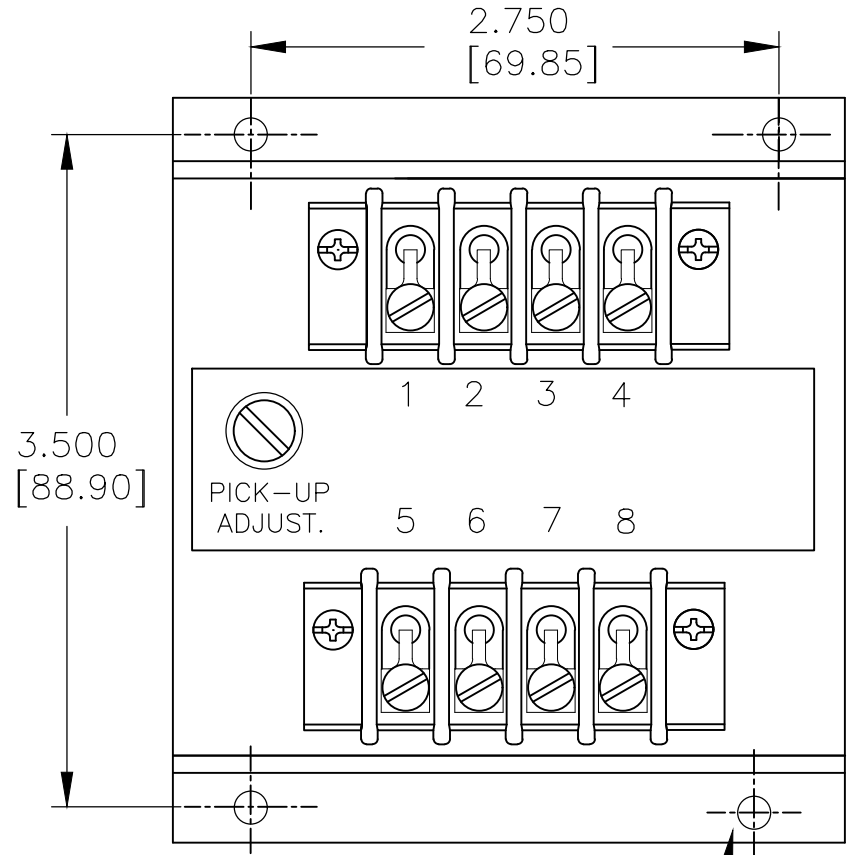


SPECIFICATION 21-914

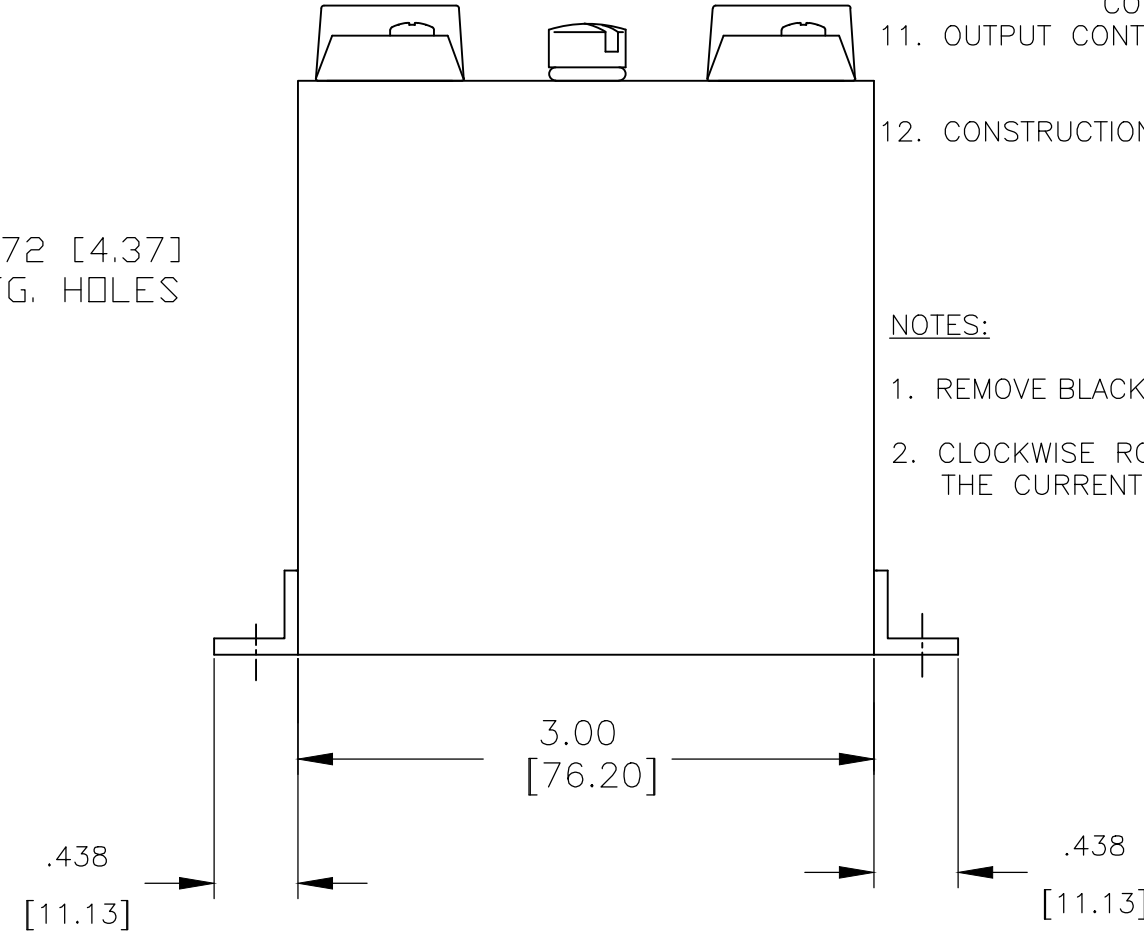
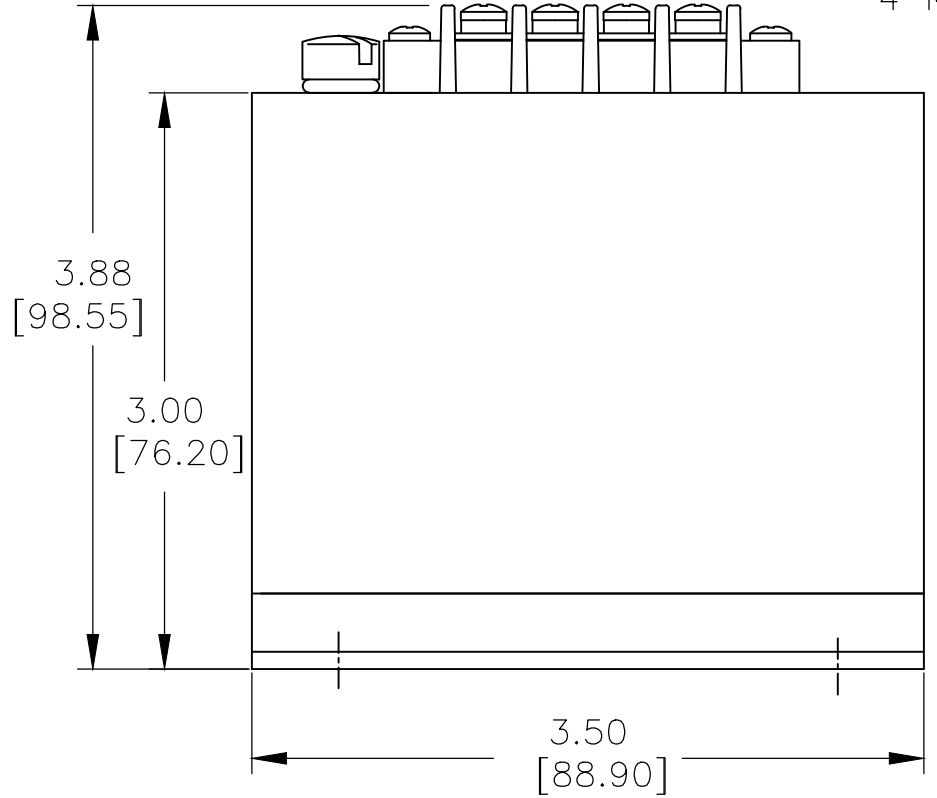
1. LINE CURRENT : 0-5 AMPS AC, SINGLE PHASE, 50-400 HZ DIRECT OR FROM C.T.
2. CONTROL VOLTAGE : 74VDC ± 15%
3. OPERATION : THE SELF CONTAINED OUTPUT RELAY ACTUATES WHEN THE LINE CURRENT EXCEEDS THE PRESET VALUE.
4. TRIP POINT : SCREWDRIVER ADJUSTABLE, 1.0 TO 5.0 AMPS.
5. PICK-UP TO DROP-OUT DIFFERENTIAL : 0.1 AMP APPROX.
6. OVERCURRENT ALLOWANCE : MAXIMUM 500% FOR .25 SECONDS.
7. SURGE WITHSTAND CAPABILITY : IN COMPLIANCE WITH THE REQUIREMENTS OF ANSI/IEEE C37.90A.
8. OPERATING TEMPERATURE : -40°C TO +70°C.
9. TEMPERATURE DRIFT (TRIP POINT) : ± .05%/°C
10. BURDEN : CURRENT INPUT : 1.2VA  
CONTROL VOLTAGE : 2.5VA
11. OUTPUT CONTACTS : ONE SET NORMALLY OPEN  
ONE SET NORMALLY CLOSED  
RATED 100 MILLIAMPS. AT 74VDC.
12. CONSTRUCTION : SOLID STATE SENSOR WITH RELAY OUTPUT ENCLOSED IN A SEALED STEEL CAN, SUITABLE FOR RAILROAD APPLICATION.

NOTES:

1. REMOVE BLACK SCREW FOR ACCESS TO THE PICK-UP ADJUSTMENT.
2. CLOCKWISE ROTATION OF THE PICK-UP ADJUSTMENT WILL RAISE THE CURRENT TRIP POINT.



∅ 0.172 [4.37]  
4 MTG. HOLES



THIS DRAWING IS A CONTROLLED DOCUMENT.		DWN VR	21AUG2020	TE Connectivity OVER CURRENT RELAY	
DIMENSIONS: INCHES		CHK RS	21AUG2020		
TOLERANCES UNLESS OTHERWISE SPECIFIED:		APVD TN	21AUG2020		
0 PLC ± - 1 PLC ± - 2 PLC ± - 3 PLC ± - 4 PLC ± - ANGLES ± -		NAME			
MATERIAL		FINISH		PRODUCT SPEC	SIZE
-		-		-	A3
		CUSTOMER DRAWING		APPLICATION SPEC	CAGE CODE
				-	18741
				WEIGHT	DRAWING NO
				-	C-1100-42X
				CUSTOMER DRAWING	RESTRICTED TO
				SCALE	-
				NTS	
				SHEET	1 OF 1
				REV	B

## X-ON Electronics

Largest Supplier of Electrical and Electronic Components

*Click to view similar products for [Safety Relays](#) category:*

*Click to view products by [TE Connectivity](#) manufacturer:*

Other Similar products are found below :

[7-1618103-5](#) [1351-1X](#) [1618082-4](#) [1618111-1](#) [C200HDA003](#) [C200HMR432](#) [C200HMR832](#) [C200HMR833](#) [C28PEDRA](#) [20-050-36X](#)  
[C500ETL01](#) [C500OD415CN](#) [2-1618068-0](#) [9-1618103-2](#) [SP10-ETL01](#) [C200HNC112](#) [C200HOD214](#) [C500CN812N](#) [4NK0AQY](#) [1100-42X](#)  
[V23050A1012A551](#) [6-1618082-4](#) [7-1618103-6](#) [WTD-101X](#) [SP16DRD](#) [SP16DRA](#) [C500-CE243](#) [C500-IDS02-V1](#) [607.5111.020](#) [DOLD](#)  
[48173](#) [CS AR-02V024](#) [CS AR-20V024](#) [CS AR-22V024](#) [CS AR-22V230](#) [750136](#) [777512](#) [PSR-MS21-1NO-1DO-24DC-SC](#) [600PSR-](#)  
[165/300-CU](#) [SR6V6K18](#) [SR4M4005](#) [BPS 36-1](#) [BP34 - 101057553](#) [2TLA010033R3000](#) [2TLA010033R0000](#) [2TLA010028R1000](#)  
[2TLA010017R0100](#) [2TLA010026R0400](#) [2TLA020007R6900](#) [SCR 2-W22-2.5](#) [7S.34.9.110.4220](#)