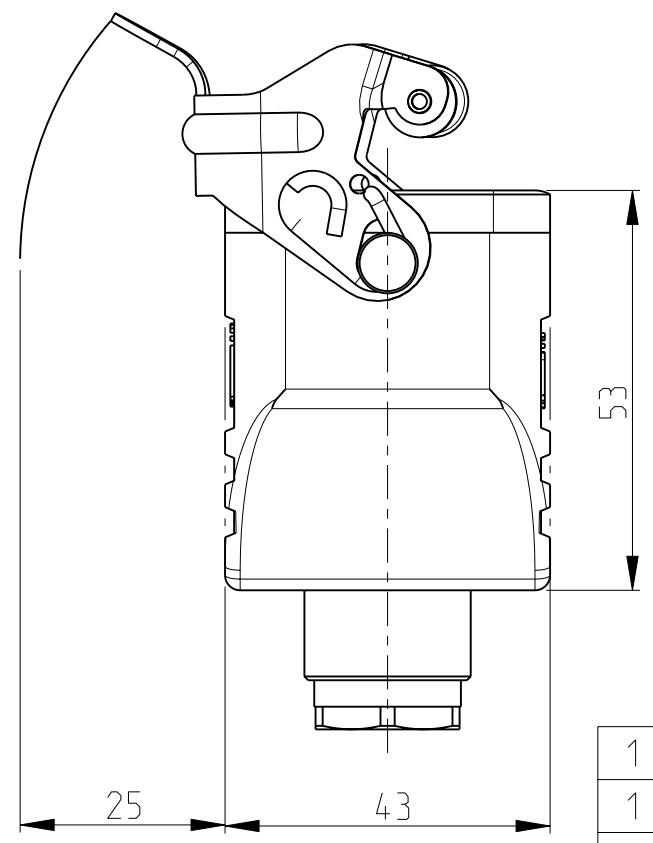
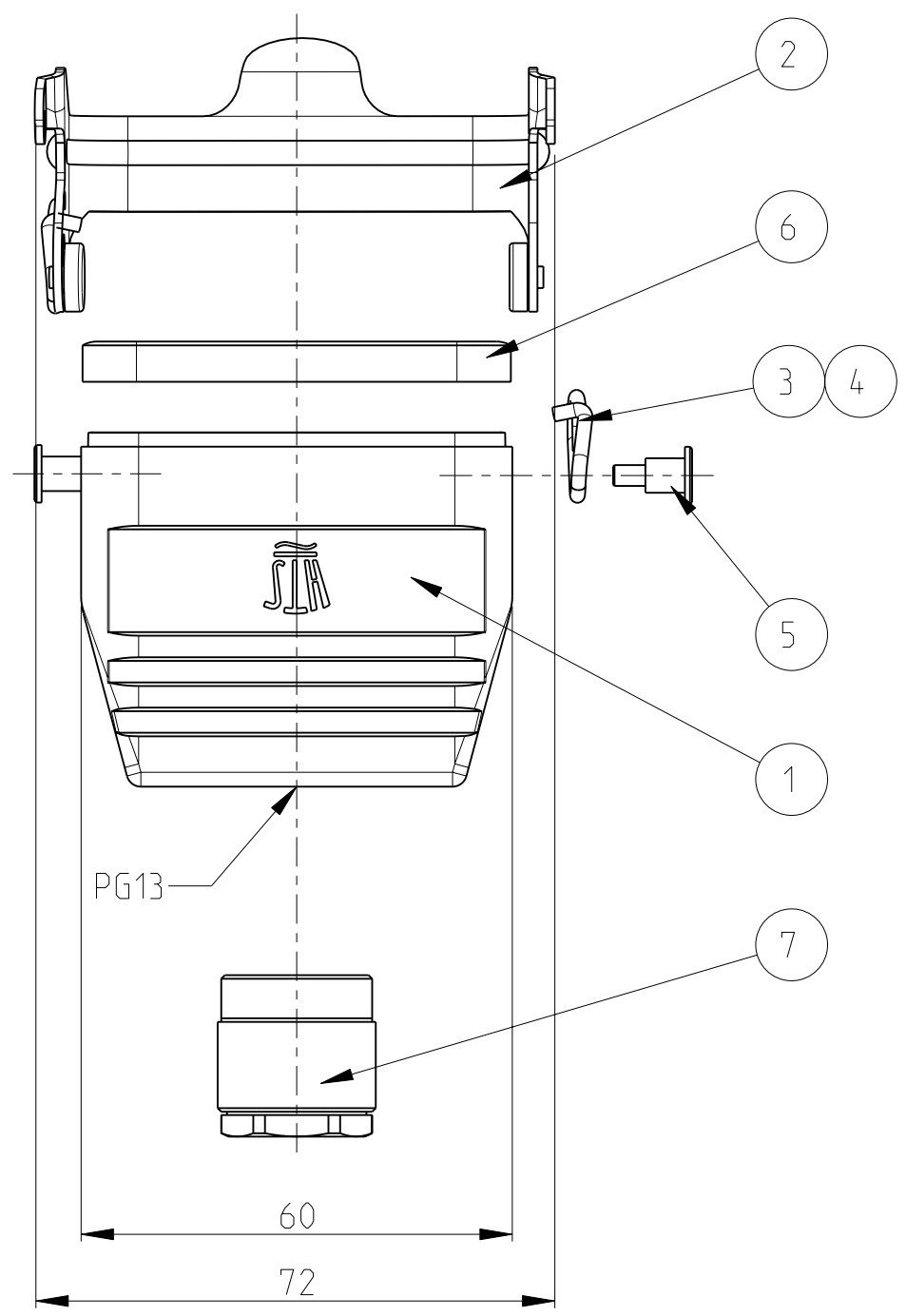


THIS DRAWING IS UNPUBLISHED. RELEASED FOR PUBLICATION 2006
 © COPYRIGHT 2006 BY TYCO ELECTRONICS CORPORATION. ALL RIGHTS RESERVED.

LOC	DIST	REVISIONS				
P	LTR	DESCRIPTION	DATE	DWN	APVD	
A1	-	A2	new pro/E drawing ECR-09-007725	09MAR2009	SR	AR

NOTES

- 1 PART SHALL BE FREE AND CLEAN OF BURRS AND OTHER FOREIGN MATERIAL
- 2 PACKAGING: QUANTITY 5 PIECES
- 3 VARNISHING INSIDE HOUSING NOT REQUIRED



QTY	DESCRIPTION	MATERIAL	SURFACE	COLOR	ITEM
1	CABLE FITTING ROUND	BRASS	NICKEL PLATED	BLUE	7
1	PROFIL SEAL	NEOPRENE		BLACK	6
2	CLIP POSITIONER	STEEL	ZINC PLATED	BLUE	5
1	CLIP SPRING RIGHT	STEEL	ZINC PLATED	BLUE	4
1	CLIP SPRING LEFT	STEEL	ZINC PLATED	BLUE	3
1	SLIDE CLIP	STEEL	ZINC PLATED	BLUE	2
1	CABLE-TO-CABLE HOOD	ALU		GREY	1
0-1	DESCRIPTION	MATERIAL	SURFACE	COLOR	ITEM

HB.6.KDO-LB.1.13

<small>THIS DRAWING IS A CONTROLLED DOCUMENT FOR TYCO ELECTRONICS CORPORATION IT IS SUBJECT TO CHANGE AND THE CONTROLLING ENGINEERING ORGANIZATION SHOULD BE CONTACTED FOR THE LATEST REVISION.</small>		DWN 09MAR2009 R.SCHNEIDER CHK 09MAR2009 T.SCHNURPFIL APVD - PRODUCT SPEC - APPLICATION SPEC - WEIGHT -	tyco Electronics AMP GmbH 53757 Sankt Augustin (Germany)
DIMENSIONS: mm 	TOLERANCES UNLESS OTHERWISE SPECIFIED: 0 PLC ±- 1 PLC ±- 2 PLC ±- 3 PLC ±- 4 PLC ±- ANGLES ±1° MATERIAL - FINISH -	NAME CABLE-TO-CABLE HOOD ASSY HB.6.KDO-LB.1.13	
		SIZE A3 CAGE CODE 00779 DRAWING NO ©=1102062	RESTRICTED TO -
CUSTOMER DRAWING		SCALE 1:1	SHEET 1 OF 1 REV A2

X-ON Electronics

Largest Supplier of Electrical and Electronic Components

Click to view similar products for [Heavy Duty Power Connectors](#) category:

Click to view products by [TE Connectivity](#) manufacturer:

Other Similar products are found below :

[1424439](#) [1424438](#) [09330062652](#) [605601-1](#) [6340G1](#) [6341G1](#) [6360G1](#) [6373G1](#) [6374g2](#) [6396G1](#) [647757-1](#) [6643411-1](#) [6646058-2](#) [6646137-1](#)
[6646138-1](#) [6646348-1](#) [6646479-1](#) [6646608-1](#) [6646786-1](#) [6646940-1](#) [6651525-1](#) [6651529-1](#) [6651778-1](#) [6651788-1](#) [696465-1](#) [696475-1](#)
[73000005059](#) [73000005349](#) [73000005642](#) [73080965046](#) [765-15-0080A](#) [765-16-0080B](#) [789.700-44](#) [789.700-54](#) [80-1010](#) [80-9](#) [827381-1](#)
[829992-1](#) [902-77-02113](#) [PL00U-301-10D10](#) [PM103MOOLOO](#) [PM212MOOLOO](#) [PM309FOOLOO](#) [PM324FOOLCH](#) [PMHPAF11S03](#)
[PMHPAF14S01](#) [PMHPAM14P05](#) [PMHPAS06](#) [PMHPBF14S01](#) [PP45PC12S](#)