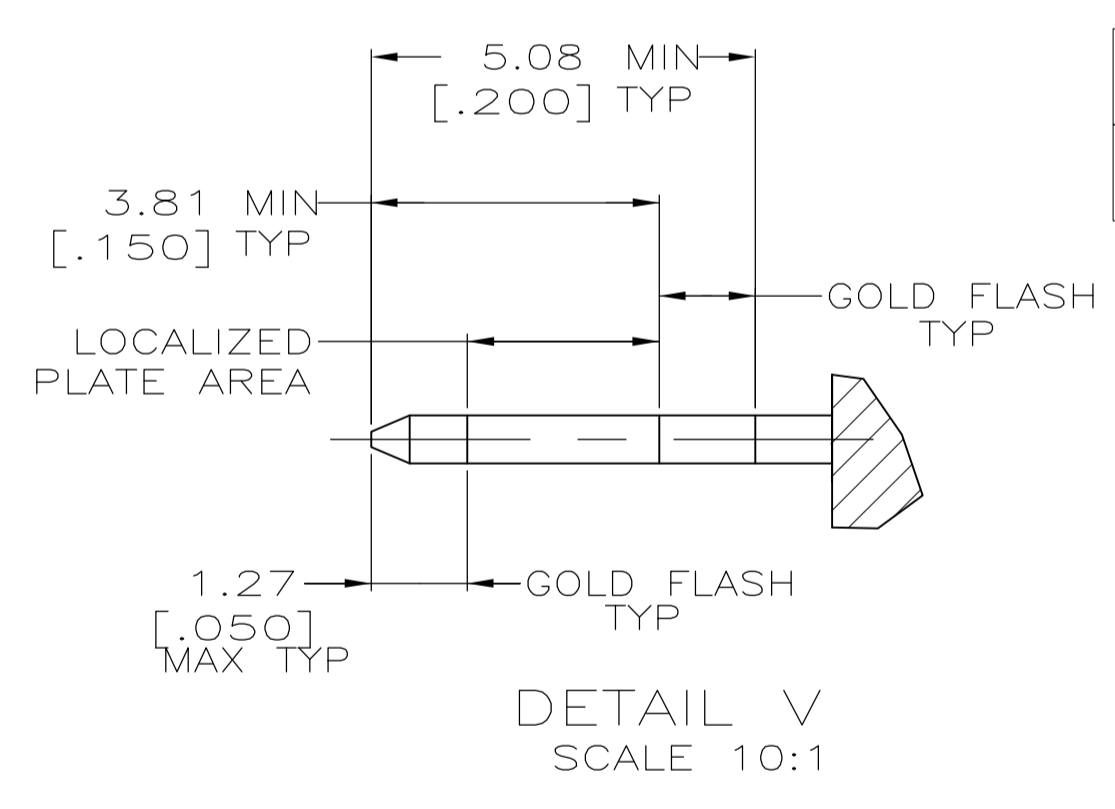
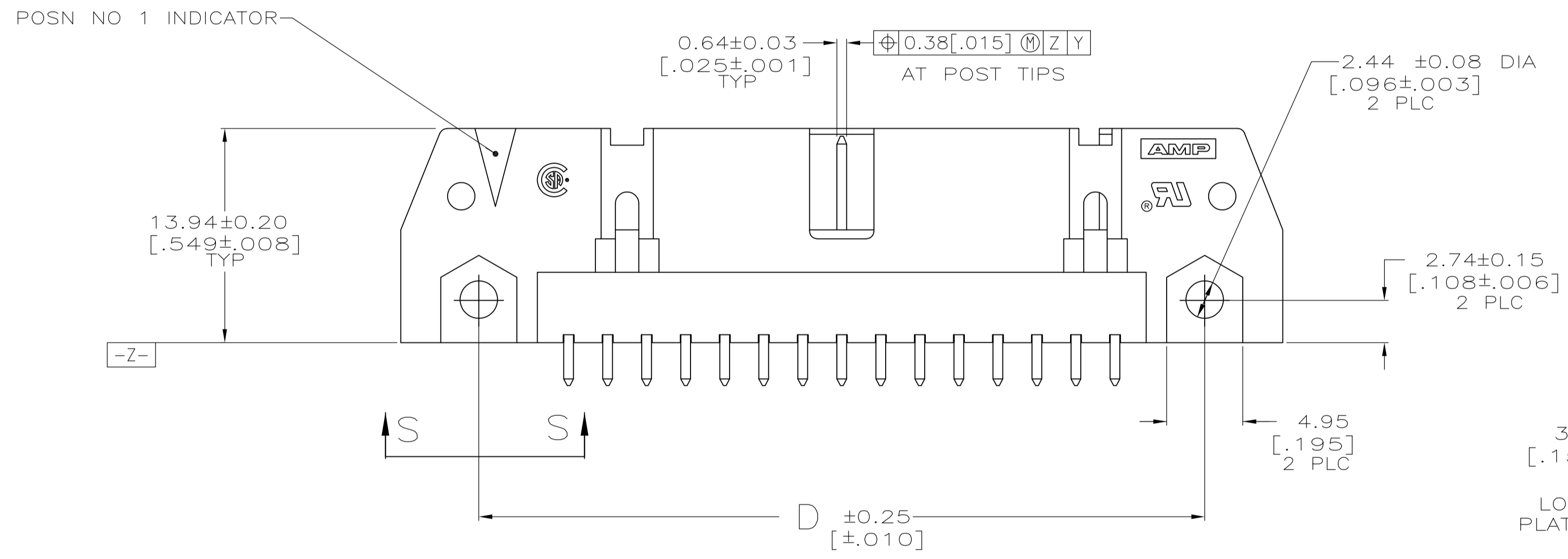
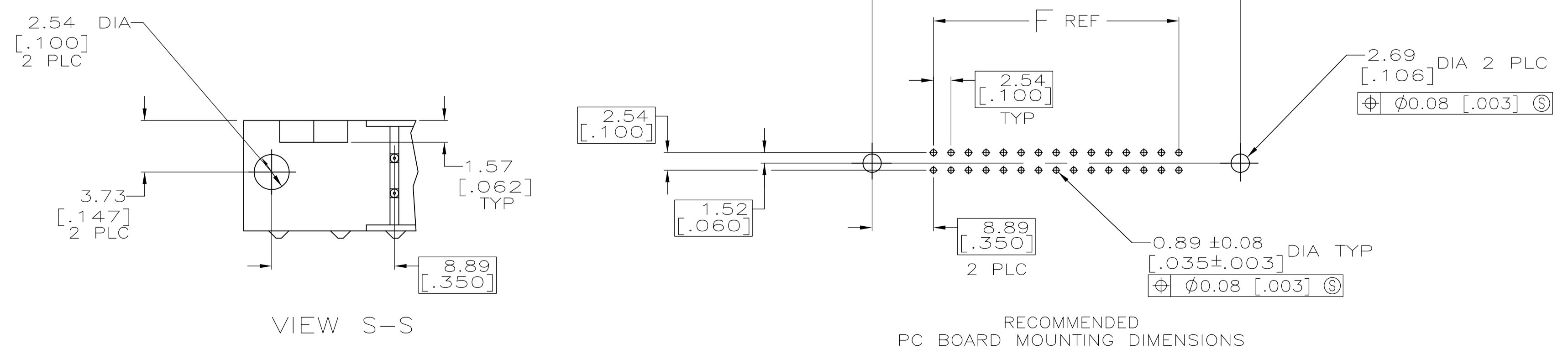


- △ COORDINATE DIMENSION APPLIES FROM BASIC LOCATION.
- △ 8, 10 AND 14 POSITION SIZES CONTAIN ONLY ONE SLOT FOR SNAP-IN POLARIZER (MILITARY POLARIZATION) LOCATED AS SHOWN.
- △ 8 AND 10 POSITION SIZES CONTAIN ONLY ONE SLOT FOR DUAL POLARIZATION, LOCATED AS SHOWN.
- 4. RECOMMENDED PRINTED CIRCUIT BOARD THICKNESS IS 1.57 [.062].
- △ POSTS: GOLD FLASH OVER PALLADIUM-NICKEL PLATE, 0.76μm [.000030] MIN TOTAL ON THE LOCALIZED PLATE AREA, 2.54μm [.000100] MIN TIN-LEAD PLATE ON THE SOLDER-TAILS, 1.27μm [.000050] MIN NICKEL UNDERPLATE ON THE ENTIRE POST. -OR- 0.76μm [.000030] MIN GOLD PLATE ON THE LOCALIZED PLATE AREA, 2.54μm [.000100] MIN TIN-LEAD PLATE ON THE SOLDER-TAILS, 1.27μm [.000050] MIN NICKEL UNDERPLATE ON THE ENTIRE POST.



| | | | | | | | | |
|----------|------------------|------------------|------------------|-------------------|------------------|------------------|------------|-------------|
| OBSOLETE | 7.62 [.300] | 25.40 [1.000] | 19.30 [.760] | 29.46 [1.160] | 25.40 [1.000] | 15.24 [.600] | 8 | 1-102154-4 |
| OBSOLETE | 53.34 [2.100] | 71.12 [2.800] | 65.02 [2.560] | 75.18 [2.960] | 71.12 [2.800] | 60.96 [2.400] | 44 | 1-102154-3 |
| | 78.74 [3.100] | 96.52 [3.800] | 90.42 [3.560] | 100.58 [3.960] | 96.52 [3.800] | 86.36 [3.400] | 64 | 1-102154-2 |
| | 73.66 [2.900] | 91.44 [3.600] | 85.34 [3.360] | 95.50 [3.760] | 91.44 [3.600] | 81.28 [3.200] | 60 | 1-102154-1 |
| | 60.96 [2.400] | 78.74 [3.100] | 72.64 [2.860] | 82.80 [3.260] | 78.74 [3.100] | 68.58 [2.700] | 50 | 1-102154-0 |
| | 48.26 [1.900] | 66.04 [2.600] | 59.94 [2.360] | 70.10 [2.760] | 66.04 [2.600] | 55.88 [2.200] | 40 | 102154-9 |
| | 40.64 [1.600] | 58.42 [2.300] | 52.32 [2.060] | 62.48 [2.460] | 58.42 [2.300] | 48.26 [1.900] | 34 | 102154-8 |
| | 35.56 [1.400] | 53.34 [2.100] | 47.24 [1.860] | 57.40 [2.260] | 53.34 [2.100] | 43.18 [1.700] | 30 | 102154-7 |
| | 30.48 [1.200] | 48.26 [1.900] | 42.16 [1.660] | 52.32 [2.060] | 48.26 [1.900] | 38.10 [1.500] | 26 | 102154-6 |
| | 27.94 [1.100] | 45.72 [1.800] | 39.62 [1.560] | 49.78 [1.960] | 45.72 [1.800] | 35.56 [1.400] | 24 | 102154-5 |
| | 22.86 [.900] | 40.64 [1.600] | 34.54 [1.360] | 44.70 [1.760] | 40.64 [1.600] | 30.48 [1.200] | 20 | 102154-4 |
| | 17.78 [.700] | 35.56 [1.400] | 29.46 [1.160] | 39.62 [1.560] | 35.56 [1.400] | 25.40 [1.000] | 16 | 102154-3 |
| | 15.24 [.600] | 33.02 [1.300] | 26.92 [1.060] | 37.08 [1.460] | 33.02 [1.300] | 22.86 [.900] | 14 | 102154-2 |
| | 10.16 [.400] | 27.94 [1.100] | 21.84 [.860] | 32.00 [1.260] | 27.94 [1.100] | 17.78 [.700] | 10 | 102154-1 |
| | F | E | D | C | B | A | NO OF POSN | PART NUMBER |



THIS DRAWING IS A CONTROLLED DOCUMENT.

| | | | |
|---|--|---------------------|-----------------------------------|
| DIMENSIONS: INCHES | TOLERANCES UNLESS OTHERWISE SPECIFIED: | DIN H. MOLL 4-23-90 | STE TE Connectivity |
| 0 PLC ± - | 1 PLC ± - | 11-28-90 | R. STONE |
| 2 PLC ± 0.13[.005] | 3 PLC ± - | 11-29-90 | S. GOOD |
| 4 PLC ± - | ANGLES ± - | NAME | HEADER ASSY, UNIVERSAL, AMP-LATCH |
| MATERIAL: HOUSING: GLASS FILLED NYLON OR POLYESTER; 80V-0 RATED; BLACK POSTS: PHOS BRONZE | FINISH: △ | PRODUCT SPEC | 108-40018 |
| | | APPLICATION SPEC | |
| | | SIZE | A1 |
| | | WEIGHT | 00779 |
| | | DRAWING NO | 102154 |
| | | RESTRICTED TO | |
| | | CUSTOMER DRAWING | SCALE 4:1 SHEET 1 OF 1 REV M1 |

X-ON Electronics

Largest Supplier of Electrical and Electronic Components

Click to view similar products for [Headers & Wire Housings](#) category:

Click to view products by [TE Connectivity](#) manufacturer:

Other Similar products are found below :

[95000-104TRLF](#) [10135584-644402LF](#) [DF62W-EP2022PCA](#) [95000-106TRLF](#) [DF62W-2022SCA](#) [DF62W-EP2022PC](#) [2203348](#) [DF62W-2022SC](#) [1084018](#) [1029039](#) [1084017](#) [802-10-012-10-002000](#) [1112640](#) [1112639](#) [000-34000](#) [0009482033](#) [0009507031](#) [57102-S06-03LF](#) [57202-S52-04LF](#) [PCN6-15S-2.5E](#) [0039019024](#) [58102-G61-06LF](#) [582553-1](#) [0009508121](#) [0050291907](#) [018731A](#) [LY20-4P-DT1-P1E-BR](#) [02.125.8002.8](#) [60101931](#) [60598-1 \(Cut Strip\)](#) [M1625-3R/100](#) [61062-3](#) [61082-181009](#) [636-1427](#) [638009-1](#) [641938-9](#) [641991-4](#) [644168-1](#) [647662-1](#) [65039-019ELF](#) [65817-002LF](#) [65817-015LF](#) [65863-015LF](#) [66207-023LF](#) [67016-026LF](#) [67046-001LF](#) [67095-007LF](#) [68002-116](#) [68016-236H](#) [68648-049](#)