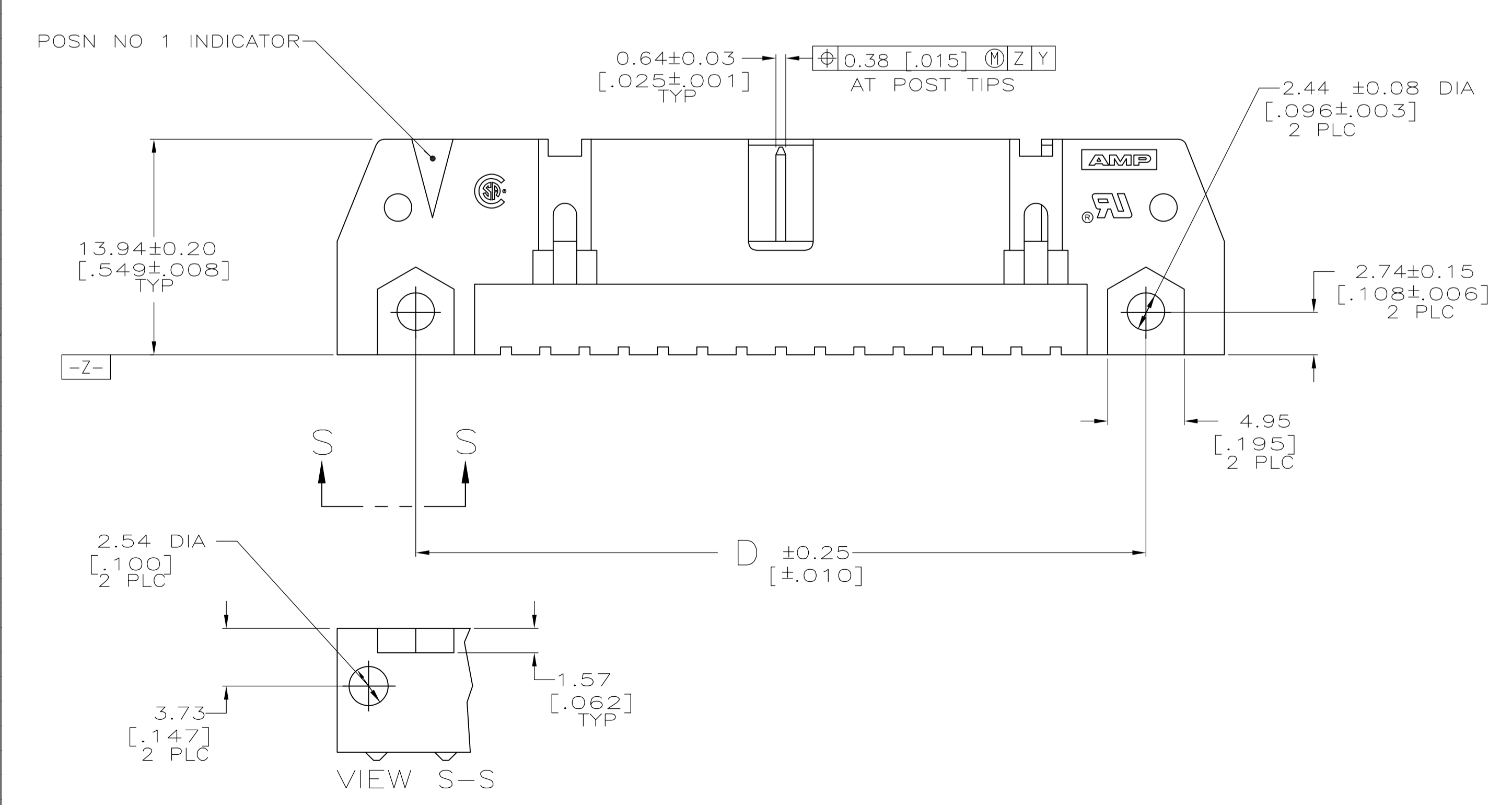
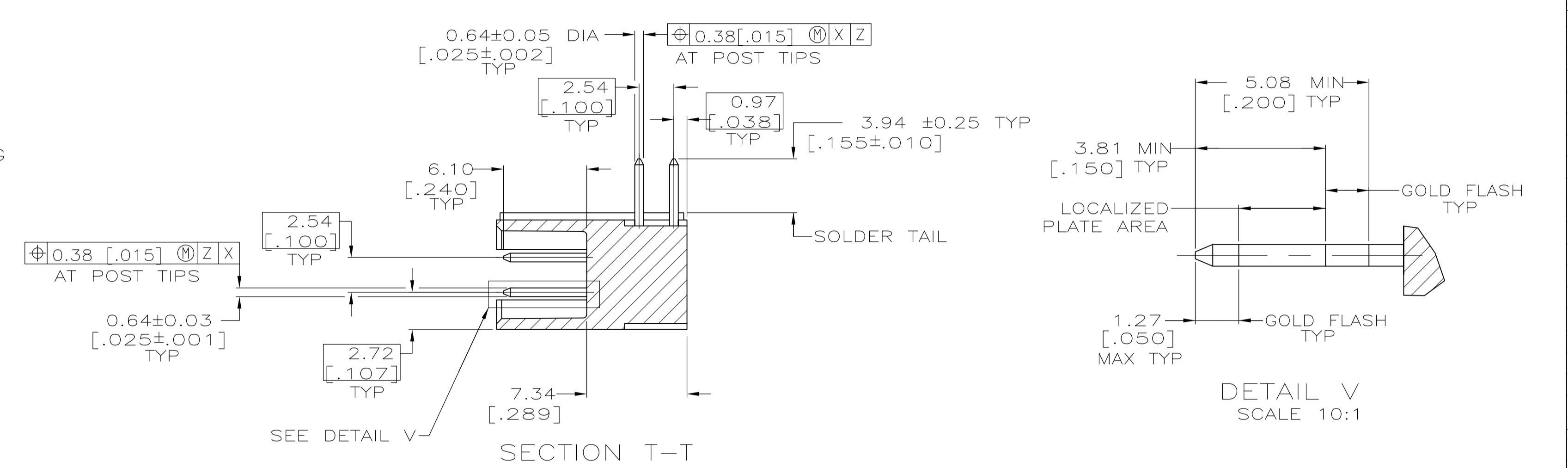
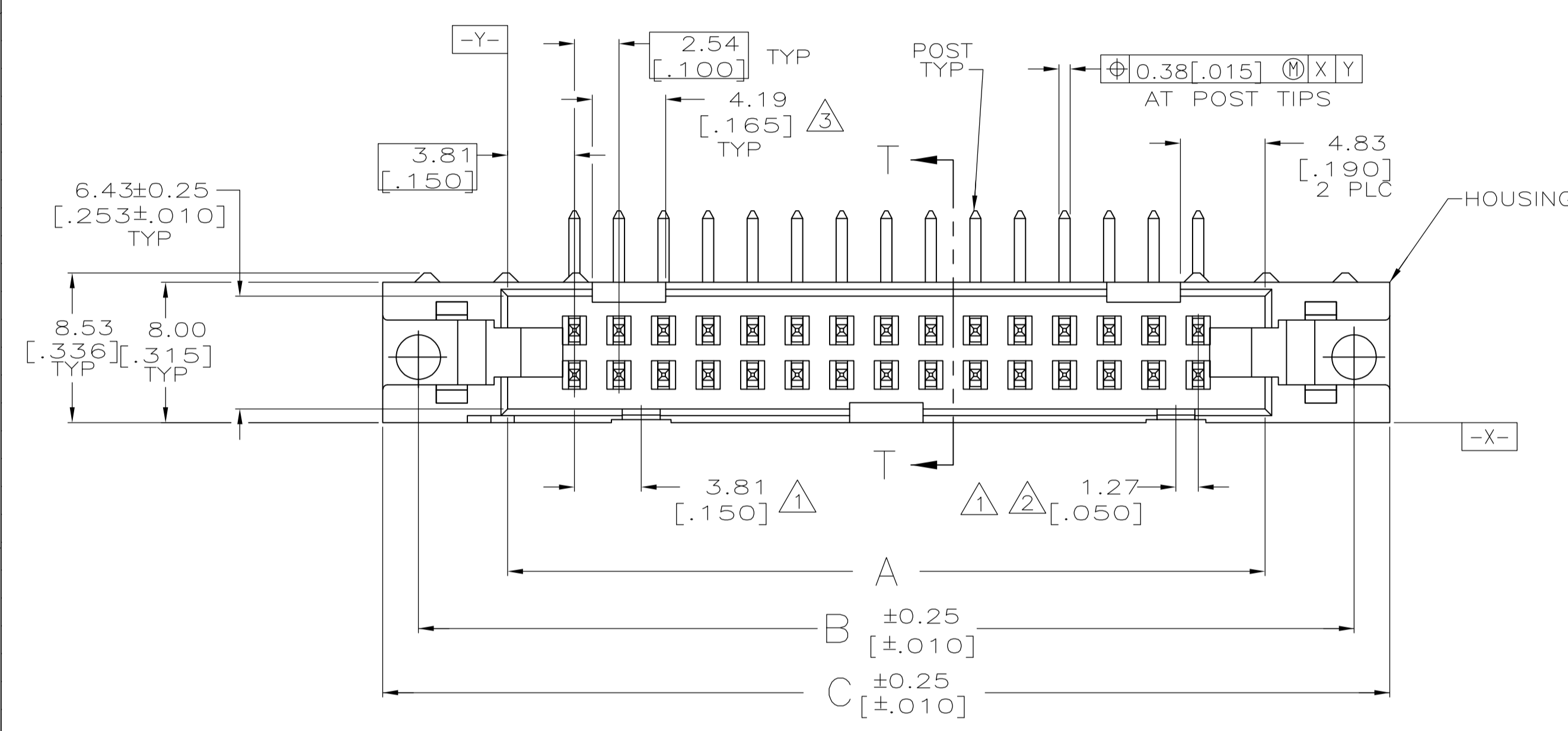


- △ COORDINATE DIMENSION APPLIES FROM BASIC LOCATION.
- △ 8, 10 AND 14 POSITION SIZES CONTAIN ONLY ONE SLOT FOR SNAP-IN POLARIZER (MILITARY POLARIZATION) LOCATED AS SHOWN.
- △ 8 AND 10 POSITION SIZES CONTAIN ONLY ONE SLOT FOR DUAL POLARIZATION, LOCATED AS SHOWN.
- 4. RECOMMENDED PRINTED CIRCUIT BOARD THICKNESS IS 3.18 [.125].
- △ POSTS: GOLD FLASH OVER PALLADIUM-NICKEL PLATE, 0.76µm [.000030] MIN TOTAL ON THE LOCALIZED PLATE AREA, 2.54µm [.000100] MIN TIN-LEAD PLATE ON THE SOLDER-TAILS, 1.27µm [.000050] MIN NICKEL UNDERPLATE ON THE ENTIRE POST.  
-OR-  
0.76µm [.000030] MIN GOLD PLATE ON THE LOCALIZED PLATE AREA, 2.54µm [.000100] MIN TIN-LEAD PLATE ON THE SOLDER-TAILS, 1.27µm [.000050] MIN NICKEL UNDERPLATE ON THE ENTIRE POST.



|          |                  |                  |                  |                   |                  |                  |            |             |
|----------|------------------|------------------|------------------|-------------------|------------------|------------------|------------|-------------|
| OBSOLETE | 7.62<br>[.300]   | 19.30<br>[.760]  | 19.30<br>[.760]  | 29.46<br>[1.160]  | 25.40<br>[1.000] | 15.24<br>[.600]  | 8          | 1-102162-4  |
| OBSOLETE | 53.34<br>[2.100] | 65.02<br>[2.560] | 65.02<br>[2.560] | 75.18<br>[2.960]  | 71.12<br>[2.800] | 60.96<br>[2.400] | 44         | 1-102162-3  |
|          | 78.74<br>[3.100] | 90.42<br>[3.560] | 90.42<br>[3.560] | 100.58<br>[3.960] | 96.52<br>[3.800] | 86.36<br>[3.400] | 64         | 1-102162-2  |
|          | 73.66<br>[2.900] | 85.34<br>[3.360] | 85.34<br>[3.360] | 95.50<br>[3.760]  | 91.44<br>[3.600] | 81.28<br>[3.200] | 60         | 1-102162-1  |
|          | 60.96<br>[2.400] | 72.64<br>[2.860] | 72.64<br>[2.860] | 82.80<br>[3.260]  | 78.74<br>[3.100] | 68.58<br>[2.700] | 50         | 1-102162-0  |
| OBSOLETE | 48.26<br>[1.900] | 59.94<br>[2.360] | 59.94<br>[2.360] | 70.10<br>[2.760]  | 66.04<br>[2.600] | 55.88<br>[2.200] | 40         | 102162-9    |
|          | 40.64<br>[1.600] | 52.32<br>[2.060] | 52.32<br>[2.060] | 62.48<br>[2.460]  | 58.42<br>[2.300] | 48.26<br>[1.900] | 34         | 102162-8    |
|          | 35.56<br>[1.400] | 47.24<br>[1.860] | 47.24<br>[1.860] | 57.40<br>[2.260]  | 53.34<br>[2.100] | 43.18<br>[1.700] | 30         | 102162-7    |
| OBSOLETE | 30.48<br>[1.200] | 42.16<br>[1.660] | 42.16<br>[1.660] | 52.32<br>[2.060]  | 48.26<br>[1.900] | 38.10<br>[1.500] | 26         | 102162-6    |
| OBSOLETE | 27.94<br>[1.100] | 39.62<br>[1.560] | 39.62<br>[1.560] | 49.78<br>[1.960]  | 45.72<br>[1.800] | 35.56<br>[1.400] | 24         | 102162-5    |
| OBSOLETE | 22.86<br>[.900]  | 34.54<br>[1.360] | 34.54<br>[1.360] | 44.70<br>[1.760]  | 40.64<br>[1.600] | 30.48<br>[1.200] | 20         | 102162-4    |
| OBSOLETE | 17.78<br>[.700]  | 29.46<br>[1.160] | 29.46<br>[1.160] | 39.62<br>[1.560]  | 35.56<br>[1.400] | 25.40<br>[1.000] | 16         | 102162-3    |
| OBSOLETE | 15.24<br>[.600]  | 26.92<br>[1.060] | 26.92<br>[1.060] | 37.08<br>[1.460]  | 33.02<br>[1.300] | 22.86<br>[.900]  | 14         | 102162-2    |
| OBSOLETE | 10.16<br>[.400]  | 21.84<br>[.860]  | 21.84<br>[.860]  | 32.00<br>[1.260]  | 27.94<br>[1.100] | 17.78<br>[.700]  | 10         | 102162-1    |
|          | F                | E                | D                | C                 | B                | A                | NO OF POSN | PART NUMBER |

THIS DRAWING IS A CONTROLLED DOCUMENT.

|   |  |                      |                             |  |
|---|--|----------------------|-----------------------------|--|
| DIMENSIONS: INCHES  | TOLERANCES UNLESS OTHERWISE SPECIFIED: | DWN: H.MOLL 4-23-90  | APVD: R.STONE 11/28/90      | Tyco Electronics Corporation Harrisburg, PA 17105-3608 |
| 0 PLC ± -   | 1 PLC ± -                              | 2 PLC ± ± 0.13[.005] | 3 PLC ± -                   | 4 PLC ± -  |
| ANGLES ± -  | FINISH △                               | PRODUCT SPEC: S GOOD | APPLICATION SPEC: 108-40018 | NAME: HEADER ASSY, UNIVERSAL, AMP-LATCH*               |
| MATERIAL: HOUSING: GLASS FILLED NYLON OR POLYESTER. 94V-0 RATED. BLACK POSTS: BRASS | SIZE: A1                               | CAGE CODE: 00779     | DRAWING NO: 102162          | RESTRICTED TO: -                                       |
| WEIGHT: -   | CUSTOMER DRAWING                       | SCALE: 4:1           | SHEET: 1 OF 1               | REV: M   |

## X-ON Electronics

Largest Supplier of Electrical and Electronic Components

*Click to view similar products for [Headers & Wire Housings](#) category:*

*Click to view products by [TE Connectivity](#) manufacturer:*

Other Similar products are found below :

[892-18-020-10-001101](#) [58102-G61-06LF](#) [582553-1](#) [0009485154](#) [009176003701906](#) [0050291907](#) [LY20-4P-DT1-P1E-BR](#) [02.125.8002.8](#)  
[609-3404](#) [61062-3](#) [61082-181009](#) [622-3653LF](#) [63453-116](#) [636-1030](#) [636-1427](#) [636-3427](#) [636-4007](#) [641938-9](#) [641991-4](#) [644827-2](#) [65817-](#)  
[010LF](#) [65817-015LF](#) [65863-015LF](#) [66207-023LF](#) [67095-007LF](#) [67601157](#) [68645-018](#) [68648-049](#) [70.362.1628.0](#) [70-4210](#) [70-4226B](#) [70-](#)  
[4853B](#) [707-5020](#) [707-5028](#) [71.350.2428.0](#) [71918-208LF](#) [71961-016LF](#) [733-134](#) [733-162](#) [754199-000](#) [760-3052](#) [787-8014-00](#) [79531-3000](#)  
[FCN-360C032-B](#) [FCN-367T-T012/H](#) [FCN-723D010/2](#) [80.063.4001.1](#) [800-90-001-10-001000](#) [800-90-010-10-002000](#) [801-43-002-10-013000](#)