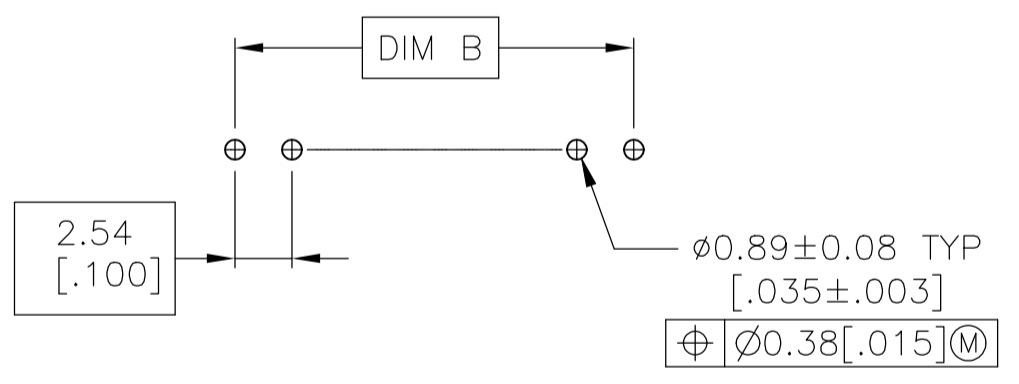
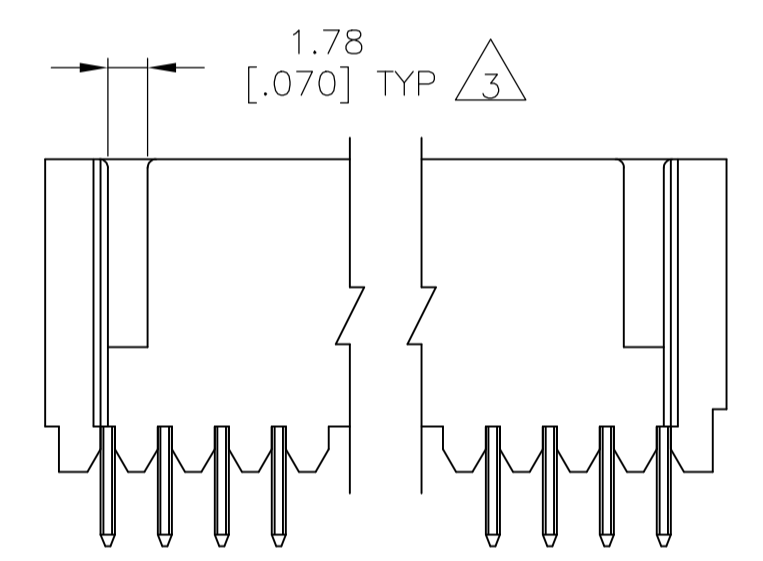
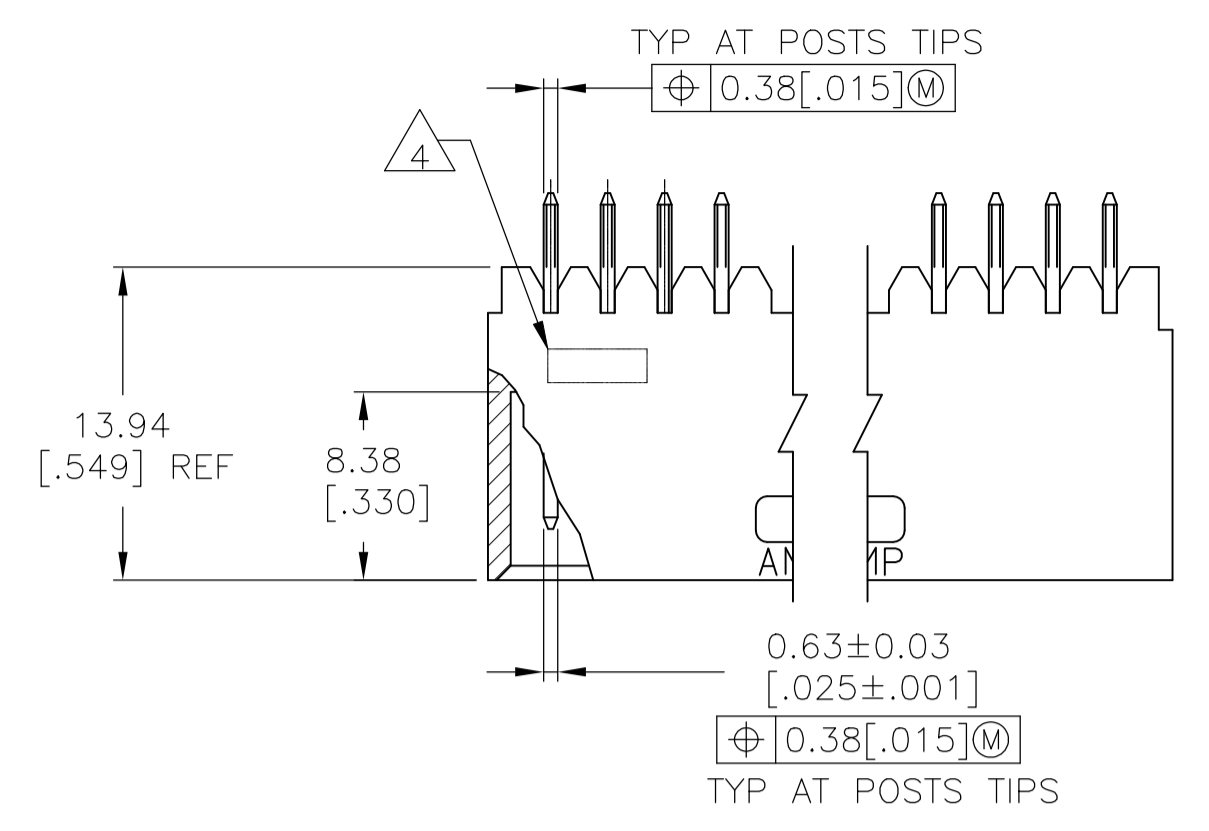


REVISIONS				
P	LTR	DESCRIPTION	DATE	APP'D
P3		PART STATUS UPDATED IN PART LIST TABLE	08FEB2018	SD PS

- 1 STANDOFFS: UP TO 9 POS--(2 REQD) ON THE OUTSIDE ENDS OF THE HOUSING
10 TO 19 POS--(3 REQD) TWO ON THE OUTSIDE ENDS AND ONE CENTERED ON THE HOUSING
19 POS AND LARGER--(4 REQD) TWO ON THE OUTSIDE ENDS AND TWO SPACED EVENLY WITHIN THE REMAINING LENGTH OF THE HOUSING
- 2 POINT OF MEASUREMENT FOR PLATING THICKNESS
- 3 FOR 3 POS (3--4 ONLY) ONE SLOT, 5.46[.215] WIDE.
- 4 RECESSED DATE CODE
- 5 HOUSING: FLAME RETARDANT THERMOPLASTIC, COLOR - BLACK.
POSTS: BRASS.
- 6 0.00038[.000015] GOLD ON THE CONTACT AREA,
0.00254[.000100]-0.00508[.000200] MATTE TIN-LEAD ON THE SOLDER TAIL
ALL OVER 0.00127[.000050] NICKEL.
- 7 0.00038[.000015] GOLD ON THE CONTACT AREA,
0.00254[.000100]-0.00508[.000200] MATTE TIN ON THE SOLDER TAIL
ALL OVER 0.00127[.000050] NICKEL.
- 8 OBSOLETE PARTS: OBSOLETE CIS STREAMLINING PER D.RENAUD/D.SINISI



RECOMMENDED HOLE LAYOUT

3	2	1	10	9	8	7	6	5	4	3	2	1
OBSOLETE	10.67	[.420]	8.64	[.340]	5.08	[.200]	2	3	8-102202-4			
OBSOLETE	66.55	[2.620]	64.52	[2.540]	60.96	[2.400]	24	25	7-102202-2			
OBSOLETE	64.01	[2.520]	61.98	[2.440]	58.42	[2.300]	23	24	7-102202-1			
OBSOLETE	61.47	[2.420]	59.44	[2.340]	55.88	[2.200]	22	23	7-102202-0			
OBSOLETE	58.93	[2.320]	56.90	[2.240]	53.34	[2.100]	21	22	6-102202-9			
OBSOLETE	56.39	[2.220]	54.36	[2.140]	50.80	[2.000]	20	21	6-102202-8			
OBSOLETE	53.85	[2.120]	51.82	[2.040]	48.26	[1.900]	19	20	6-102202-7			
OBSOLETE	51.31	[2.020]	49.28	[1.940]	45.72	[1.800]	18	19	6-102202-6			
	48.77	[1.920]	46.74	[1.840]	43.18	[1.700]	17	18	6-102202-5			
	46.23	[1.820]	44.20	[1.740]	40.64	[1.600]	16	17	6-102202-4			
	43.69	[1.720]	41.66	[1.640]	38.10	[1.500]	15	16	6-102202-3			
	41.15	[1.620]	39.12	[1.540]	35.56	[1.400]	14	15	6-102202-2			
	38.61	[1.520]	36.58	[1.440]	33.02	[1.300]	13	14	6-102202-1			
	36.07	[1.420]	34.04	[1.340]	30.48	[1.200]	12	13	6-102202-0			
	33.53	[1.320]	31.50	[1.240]	27.94	[1.100]	11	12	5-102202-9			
	30.99	[1.220]	28.96	[1.140]	25.40	[1.000]	10	11	5-102202-8			
	28.45	[1.120]	26.42	[1.040]	22.86	[.900]	9	10	5-102202-7			
	25.91	[1.020]	23.88	[.940]	20.32	[.800]	8	9	5-102202-6			
	23.37	[.920]	21.34	[.840]	17.78	[.700]	7	8	5-102202-5			
	20.83	[.820]	18.80	[.740]	15.24	[.600]	6	7	5-102202-4			
	18.29	[.720]	16.26	[.640]	12.70	[.500]	5	6	5-102202-3			
	15.75	[.620]	13.72	[.540]	10.16	[.400]	4	5	5-102202-2			
	13.21	[.520]	11.18	[.440]	7.62	[.300]	3	4	5-102202-1			
	10.67	[.420]	8.64	[.340]	5.08	[.200]	2	3	3-102202-4			
OBSOLETE	94.49	[3.720]	92.46	[3.640]	88.90	[3.500]	35	36	3-102202-3			
OBSOLETE	91.95	[3.620]	89.92	[3.540]	86.36	[3.400]	34	35	3-102202-2			
OBSOLETE	89.41	[3.520]	87.38	[3.440]	83.82	[3.300]	33	34	3-102202-1			
OBSOLETE	86.87	[3.420]	84.84	[3.340]	81.28	[3.200]	32	33	3-102202-0			
OBSOLETE	84.33	[3.320]	82.30	[3.240]	78.74	[3.100]	31	32	2-102202-9			
OBSOLETE	81.79	[3.220]	79.76	[3.140]	76.20	[3.000]	30	31	2-102202-8			
OBSOLETE	79.25	[3.120]	77.22	[3.040]	73.66	[2.900]	29	30	2-102202-7			
OBSOLETE	76.71	[3.020]	74.68	[2.940]	71.12	[2.800]	28	29	2-102202-6			
OBSOLETE	74.17	[2.920]	72.14	[2.840]	68.58	[2.700]	27	28	2-102202-5			
OBSOLETE	71.63	[2.820]	69.60	[2.740]	66.04	[2.600]	26	27	2-102202-4			
OBSOLETE	69.09	[2.720]	67.06	[2.640]	63.50	[2.500]	25	26	2-102202-3			
OBSOLETE	66.55	[2.620]	64.52	[2.540]	60.96	[2.400]	24	25	2-102202-2			
OBSOLETE	64.01	[2.520]	61.98	[2.440]	58.42	[2.300]	23	24	2-102202-1			
OBSOLETE	61.47	[2.420]	59.44	[2.340]	55.88	[2.200]	22	23	2-102202-0			
OBSOLETE	58.93	[2.320]	56.90	[2.240]	53.34	[2.100]	21	22	1-102202-9			
OBSOLETE	56.39	[2.220]	54.36	[2.140]	50.80	[2.000]	20	21	1-102202-8			
OBSOLETE	53.85	[2.120]	51.82	[2.040]	48.26	[1.900]	19	20	1-102202-7			
OBSOLETE	51.31	[2.020]	49.28	[1.940]	45.72	[1.800]	18	19	1-102202-6			
	48.77	[1.920]	46.74	[1.840]	43.18	[1.700]	17	18	1-102202-5			
	46.23	[1.820]	44.20	[1.740]	40.64	[1.600]	16	17	1-102202-4			
	43.69	[1.720]	41.66	[1.640]	38.10	[1.500]	15	16	1-102202-3			
	41.15	[1.620]	39.12	[1.540]	35.56	[1.400]	14	15	1-102202-2			
	38.61	[1.520]	36.58	[1.440]	33.02	[1.300]	13	14	1-102202-1			
	36.07	[1.420]	34.04	[1.340]	30.48	[1.200]	12	13	1-102202-0			
	33.53	[1.320]	31.50	[1.240]	27.94	[1.100]	11	12	102202-9			
	30.99	[1.220]	28.96	[1.140]	25.40	[1.000]	10	11	102202-8			
	28.45	[1.120]	26.42	[1.040]	22.86	[.900]	9	10	102202-7			
	25.91	[1.020]	23.88	[.940]	20.32	[.800]	8	9	102202-6			
	23.37	[.920]	21.34	[.840]	17.78	[.700]	7	8	102202-5			
	20.83	[.820]	18.80	[.740]	15.24	[.600]	6	7	102202-4			
	18.29	[.720]	16.26	[.640]	12.70	[.500]	5	6	102202-3			
	15.75	[.620]	13.72	[.540]	10.16	[.400]	4	5	102202-2			
	13.21	[.520]	11.18	[.440]	7.62	[.300]	3	4	102202-1			
PLATING	D	C	B	A	NO OF POSN	PART NUMBER						

SUPERSEDED BY 6-102202-4

THIS DRAWING IS A CONTROLLED DOCUMENT. DWN F. BRANDBERG 04NOV97
CHK -

TE Connectivity

ASSEMBLY, MOD II, HEADER, SINGLE ROW
.100 C/L. VERTICAL, WITH .025 SQUARE POSTS

APVD S. SHUJEE 04NOV97
PRODUCT SPEC

APPLICATION SPEC

SIZE CAGE CODE DRAWING NO RESTRICTED TO
A1 00779 C=102202

CUSTOMER DRAWING SCALE 3:1 SHEET 1 OF 1 REV P3

X-ON Electronics

Largest Supplier of Electrical and Electronic Components

Click to view similar products for [Headers & Wire Housings](#) category:

Click to view products by [TE Connectivity](#) manufacturer:

Other Similar products are found below :

[95000-104TRLF](#) [10135584-644402LF](#) [DF62W-EP2022PCA](#) [95000-106TRLF](#) [DF62W-2022SCA](#) [DF62W-EP2022PC](#) [2203348](#) [DF62W-2022SC](#) [1084018](#) [1029039](#) [1084017](#) [802-10-012-10-002000](#) [1112640](#) [1112639](#) [000-34000](#) [0009482033](#) [0009507031](#) [57102-S06-03LF](#) [57202-S52-04LF](#) [PCN6-15S-2.5E](#) [0039019024](#) [58102-G61-06LF](#) [582553-1](#) [0009508121](#) [0050291907](#) [018731A](#) [LY20-4P-DT1-P1E-BR](#) [02.125.8002.8](#) [60101931](#) [60598-1 \(Cut Strip\)](#) [M1625-3R/100](#) [61062-3](#) [61082-181009](#) [636-1427](#) [638009-1](#) [641938-9](#) [641991-4](#) [644168-1](#) [647662-1](#) [65039-019ELF](#) [65817-002LF](#) [65817-015LF](#) [65863-015LF](#) [66207-023LF](#) [67016-026LF](#) [67046-001LF](#) [67095-007LF](#) [68002-116](#) [68016-236H](#) [68648-049](#)