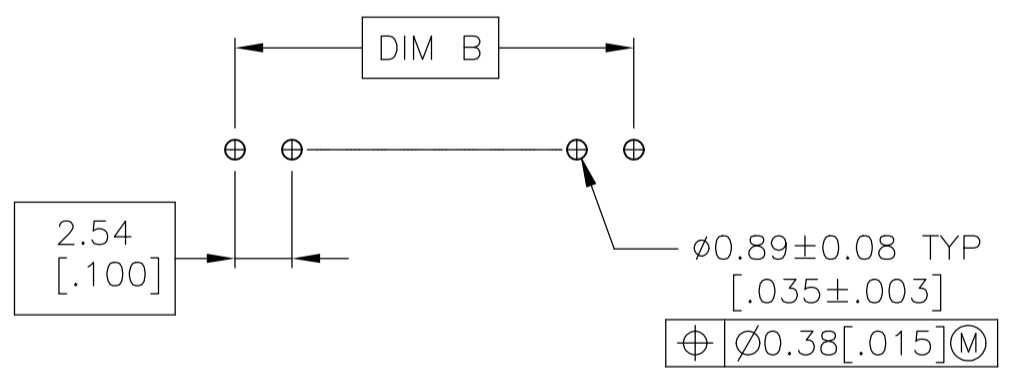
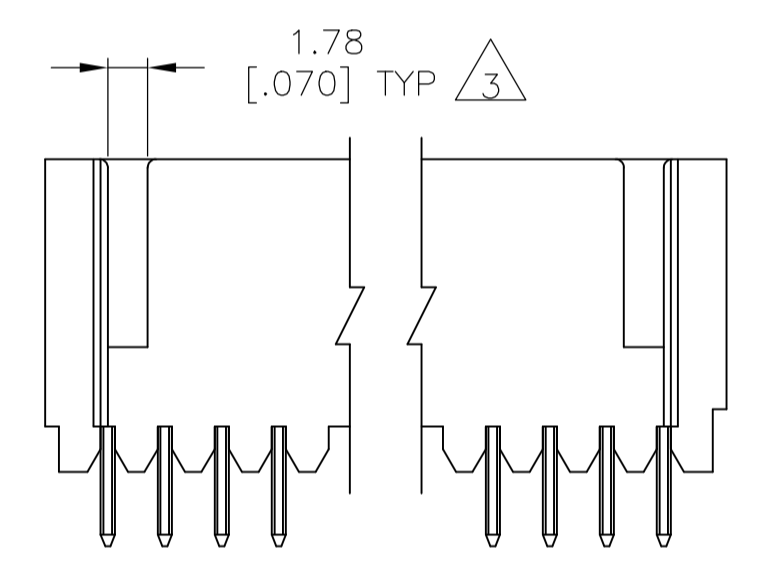
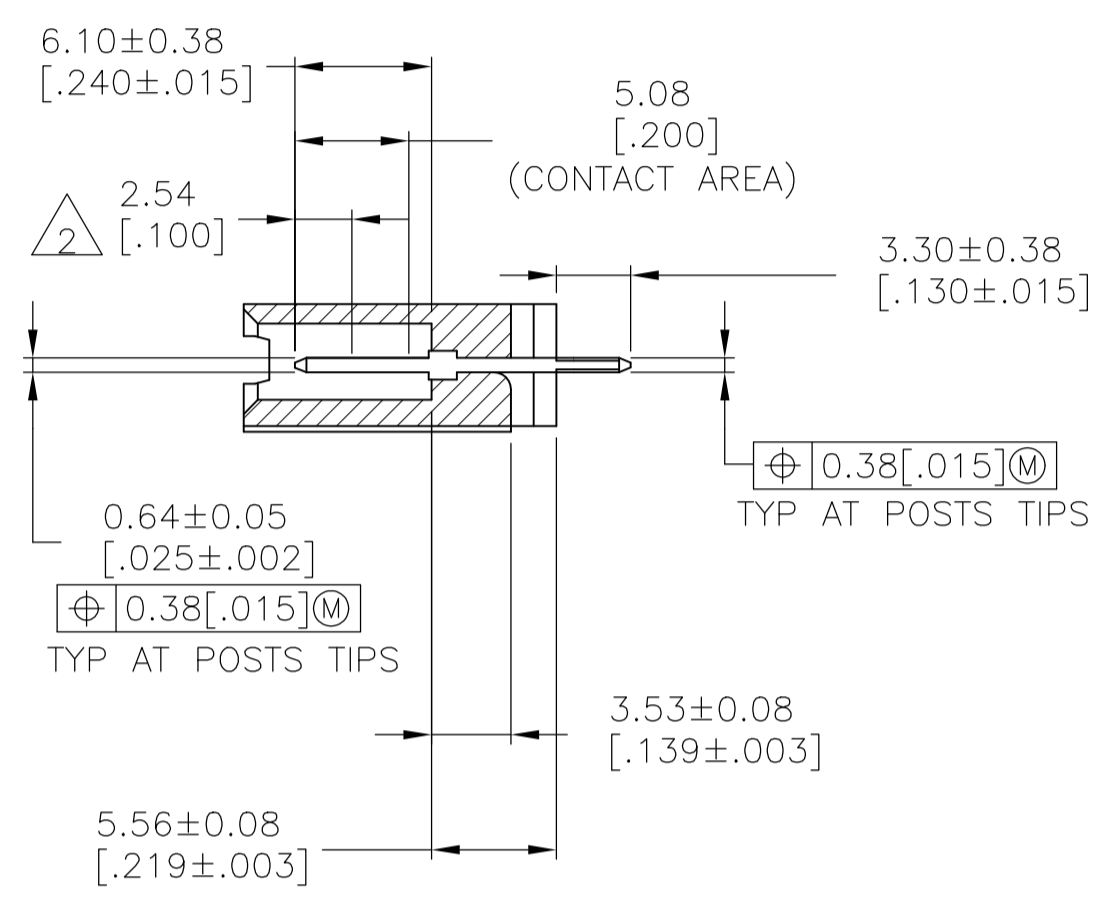
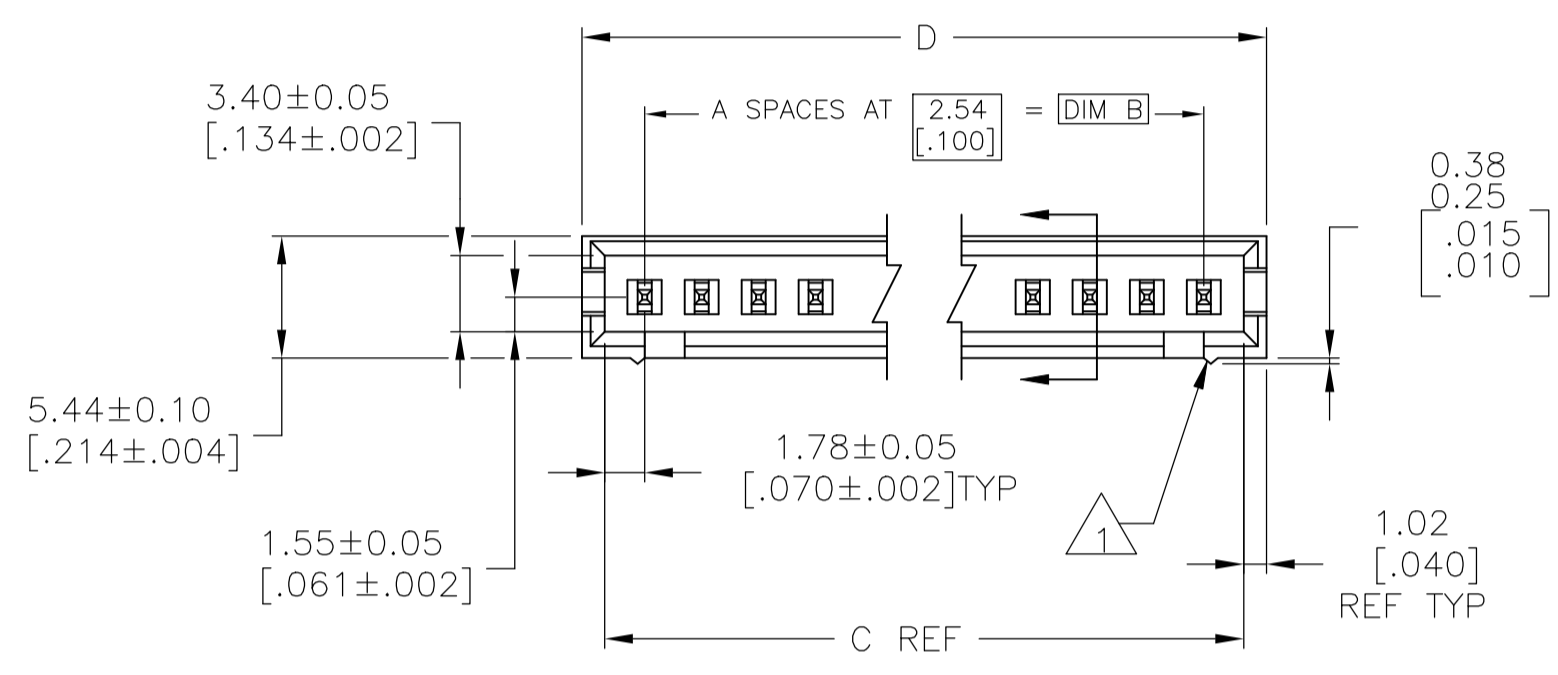
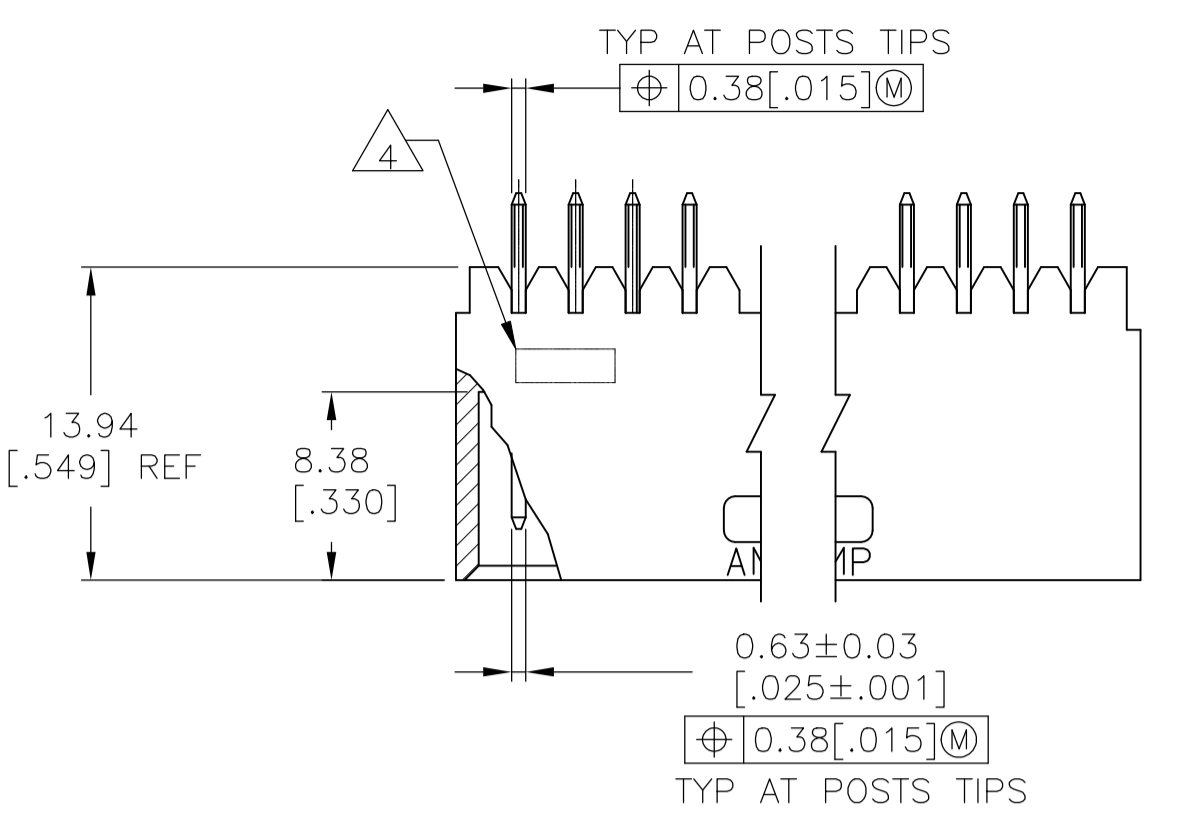


REVISIONS					
P	LTR	DESCRIPTION	DATE	DRN	APPD
P3		PART STATUS UPDATED IN PART LIST TABLE	08FEB2018	SD	PS

- 1 STANDOFFS: UP TO 9 POS--(2 REQD) ON THE OUTSIDE ENDS OF THE HOUSING
10 TO 19 POS--(3 REQD) TWO ON THE OUTSIDE ENDS AND ONE CENTERED ON THE HOUSING
19 POS AND LARGER--(4 REQD) TWO ON THE OUTSIDE ENDS AND TWO SPACED EVENLY WITHIN THE REMAINING LENGTH OF THE HOUSING
- 2 POINT OF MEASUREMENT FOR PLATING THICKNESS
- 3 FOR 3 POS (3--4 ONLY) ONE SLOT, 5.46[.215] WIDE.
- 4 RECESSED DATE CODE
- 5 HOUSING: FLAME RETARDANT THERMOPLASTIC, COLOR - BLACK.
POSTS: BRASS.
- 6 0.00038[.000015] GOLD ON THE CONTACT AREA,
0.00254[.000100]-0.00508[.000200] MATTE TIN-LEAD ON THE SOLDER TAIL
ALL OVER 0.00127[.000050] NICKEL.
- 7 0.00038[.000015] GOLD ON THE CONTACT AREA,
0.00254[.000100]-0.00508[.000200] MATTE TIN ON THE SOLDER TAIL
ALL OVER 0.00127[.000050] NICKEL.
- 8 OBSOLETE PARTS: OBSOLETE CIS STREAMLINING PER D.RENAUD/D.SINISI



RECOMMENDED HOLE LAYOUT

3	6	10.67 [.420]	8.64 [.340]	5.08 [.200]	2	3	8-102202-4
OBSOLETE	6	66.55 [2.620]	64.52 [2.540]	60.96 [2.400]	24	25	7-102202-2
OBSOLETE	6	64.01 [2.520]	61.98 [2.440]	58.42 [2.300]	23	24	7-102202-1
OBSOLETE	6	61.47 [2.420]	59.44 [2.340]	55.88 [2.200]	22	23	7-102202-0
OBSOLETE	6	58.93 [2.320]	56.90 [2.240]	53.34 [2.100]	21	22	6-102202-9
OBSOLETE	6	56.39 [2.220]	54.36 [2.140]	50.80 [2.000]	20	21	6-102202-8
OBSOLETE	6	53.85 [2.120]	51.82 [2.040]	48.26 [1.900]	19	20	6-102202-7
OBSOLETE	6	51.31 [2.020]	49.28 [1.940]	45.72 [1.800]	18	19	6-102202-6
	6	48.77 [1.920]	46.74 [1.840]	43.18 [1.700]	17	18	6-102202-5
	6	46.23 [1.820]	44.20 [1.740]	40.64 [1.600]	16	17	6-102202-4
	6	43.69 [1.720]	41.66 [1.640]	38.10 [1.500]	15	16	6-102202-3
	6	41.15 [1.620]	39.12 [1.540]	35.56 [1.400]	14	15	6-102202-2
	6	38.61 [1.520]	36.58 [1.440]	33.02 [1.300]	13	14	6-102202-1
	6	36.07 [1.420]	34.04 [1.340]	30.48 [1.200]	12	13	6-102202-0
	6	33.53 [1.320]	31.50 [1.240]	27.94 [1.100]	11	12	5-102202-9
	6	30.99 [1.220]	28.96 [1.140]	25.40 [1.000]	10	11	5-102202-8
	6	28.45 [1.120]	26.42 [1.040]	22.86 [900]	9	10	5-102202-7
	6	25.91 [1.020]	23.88 [940]	20.32 [800]	8	9	5-102202-6
	6	23.37 [920]	21.34 [840]	17.78 [700]	7	8	5-102202-5
	6	20.83 [820]	18.80 [740]	15.24 [600]	6	7	5-102202-4
	6	18.29 [720]	16.26 [640]	12.70 [500]	5	6	5-102202-3
	6	15.75 [620]	13.72 [540]	10.16 [400]	4	5	5-102202-2
	6	13.21 [520]	11.18 [440]	7.62 [300]	3	4	5-102202-1
	6	10.67 [.420]	8.64 [.340]	5.08 [.200]	2	3	3-102202-4
OBSOLETE	6	94.49 [3.720]	92.46 [3.640]	88.90 [3.500]	35	36	3-102202-3
OBSOLETE	6	91.95 [3.620]	89.92 [3.540]	86.36 [3.400]	34	35	3-102202-2
OBSOLETE	6	89.41 [3.520]	87.38 [3.440]	83.82 [3.300]	33	34	3-102202-1
OBSOLETE	6	86.87 [3.420]	84.84 [3.340]	81.28 [3.200]	32	33	3-102202-0
OBSOLETE	6	84.33 [3.320]	82.30 [3.240]	78.74 [3.100]	31	32	2-102202-9
OBSOLETE	6	81.79 [3.220]	79.76 [3.140]	76.20 [3.000]	30	31	2-102202-8
OBSOLETE	6	79.25 [3.120]	77.22 [3.040]	73.66 [2.900]	29	30	2-102202-7
OBSOLETE	6	76.71 [3.020]	74.68 [2.940]	71.12 [2.800]	28	29	2-102202-6
OBSOLETE	6	74.17 [2.920]	72.14 [2.840]	68.58 [2.700]	27	28	2-102202-5
OBSOLETE	6	71.63 [2.820]	69.60 [2.740]	66.04 [2.600]	26	27	2-102202-4
OBSOLETE	6	69.09 [2.720]	67.06 [2.640]	63.50 [2.500]	25	26	2-102202-3
OBSOLETE	6	66.55 [2.620]	64.52 [2.540]	60.96 [2.400]	24	25	2-102202-2
OBSOLETE	6	64.01 [2.520]	61.98 [2.440]	58.42 [2.300]	23	24	2-102202-1
OBSOLETE	6	61.47 [2.420]	59.44 [2.340]	55.88 [2.200]	22	23	2-102202-0
OBSOLETE	6	58.93 [2.320]	56.90 [2.240]	53.34 [2.100]	21	22	1-102202-9
OBSOLETE	6	56.39 [2.220]	54.36 [2.140]	50.80 [2.000]	20	21	1-102202-8
OBSOLETE	6	53.85 [2.120]	51.82 [2.040]	48.26 [1.900]	19	20	1-102202-7
OBSOLETE	6	51.31 [2.020]	49.28 [1.940]	45.72 [1.800]	18	19	1-102202-6
	6	48.77 [1.920]	46.74 [1.840]	43.18 [1.700]	17	18	1-102202-5
	6	46.23 [1.820]	44.20 [1.740]	40.64 [1.600]	16	17	1-102202-4
	6	43.69 [1.720]	41.66 [1.640]	38.10 [1.500]	15	16	1-102202-3
	6	41.15 [1.620]	39.12 [1.540]	35.56 [1.400]	14	15	1-102202-2
	6	38.61 [1.520]	36.58 [1.440]	33.02 [1.300]	13	14	1-102202-1
	6	36.07 [1.420]	34.04 [1.340]	30.48 [1.200]	12	13	1-102202-0
	6	33.53 [1.320]	31.50 [1.240]	27.94 [1.100]	11	12	102202-9
	6	30.99 [1.220]	28.96 [1.140]	25.40 [1.000]	10	11	102202-8
	6	28.45 [1.120]	26.42 [1.040]	22.86 [900]	9	10	102202-7
	6	25.91 [1.020]	23.88 [940]	20.32 [800]	8	9	102202-6
	6	23.37 [920]	21.34 [840]	17.78 [700]	7	8	102202-5
	6	20.83 [820]	18.80 [740]	15.24 [600]	6	7	102202-4
	6	18.29 [720]	16.26 [640]	12.70 [500]	5	6	102202-3
	6	15.75 [620]	13.72 [540]	10.16 [400]	4	5	102202-2
	6	13.21 [520]	11.18 [440]	7.62 [300]	3	4	102202-1
PLATING		D	C	B	A	NO OF POSN	PART NUMBER

SUPERSEDED BY 6-102202-4

THIS DRAWING IS A CONTROLLED DOCUMENT. DRN: F. BRANDBERG 04NOV97
 DIMENSIONS: mm [INCHES] TOLERANCES UNLESS OTHERWISE SPECIFIED: 0 PLC ±, 1 PLC ±, 2 PLC ±, 3 PLC ± 0.38 [015], 4 PLC ±, ANGLES ±.
 MATERIAL: 5 FINISH: SEE TABLE WEIGHT: -
 CUSTOMER DRAWING
 APVD: S. SHUJEE 04NOV97 NAME: ASSEMBLY, MOD II, HEADER, SINGLE ROW .100 C/L. VERTICAL, WITH .025 SQUARE POSTS
 APPLICATION SPEC: -
 SIZE: A1 CAGE CODE: 00779 DRAWING NO: 102202 RESTRICTED TO: -
 SCALE: 3:1 SHEET: 1 OF 1 REV: P3

X-ON Electronics

Largest Supplier of Electrical and Electronic Components

Click to view similar products for [Headers & Wire Housings](#) category:

Click to view products by [TE Connectivity](#) manufacturer:

Other Similar products are found below :

[892-18-020-10-001101](#) [58102-G61-06LF](#) [582553-1](#) [0009485154](#) [009176003701906](#) [0050291907](#) [LY20-4P-DT1-P1E-BR](#) [02.125.8002.8](#)
[609-3404](#) [61062-3](#) [61082-181009](#) [622-3653LF](#) [63453-116](#) [636-1030](#) [636-1427](#) [636-3427](#) [636-4007](#) [641938-9](#) [641991-4](#) [644827-2](#) [65817-](#)
[010LF](#) [65817-015LF](#) [65863-015LF](#) [66207-023LF](#) [67095-007LF](#) [67601157](#) [68645-018](#) [68648-049](#) [70.362.1628.0](#) [70-4210](#) [70-4226B](#) [70-](#)
[4853B](#) [707-5020](#) [707-5028](#) [71.350.2428.0](#) [71918-208LF](#) [71961-016LF](#) [733-134](#) [733-162](#) [754199-000](#) [760-3052](#) [787-8014-00](#) [79531-3000](#)
[FCN-360C032-B](#) [FCN-367T-T012/H](#) [FCN-723D010/2](#) [80.063.4001.1](#) [800-90-001-10-001000](#) [800-90-010-10-002000](#) [801-43-002-10-013000](#)