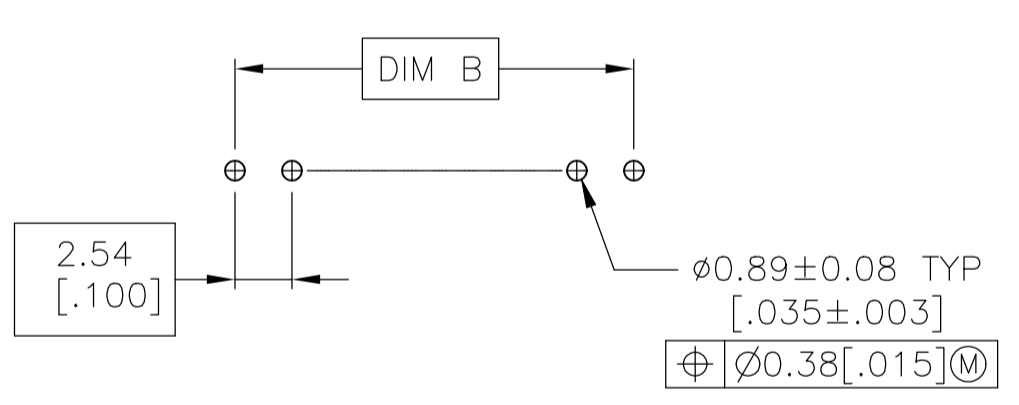
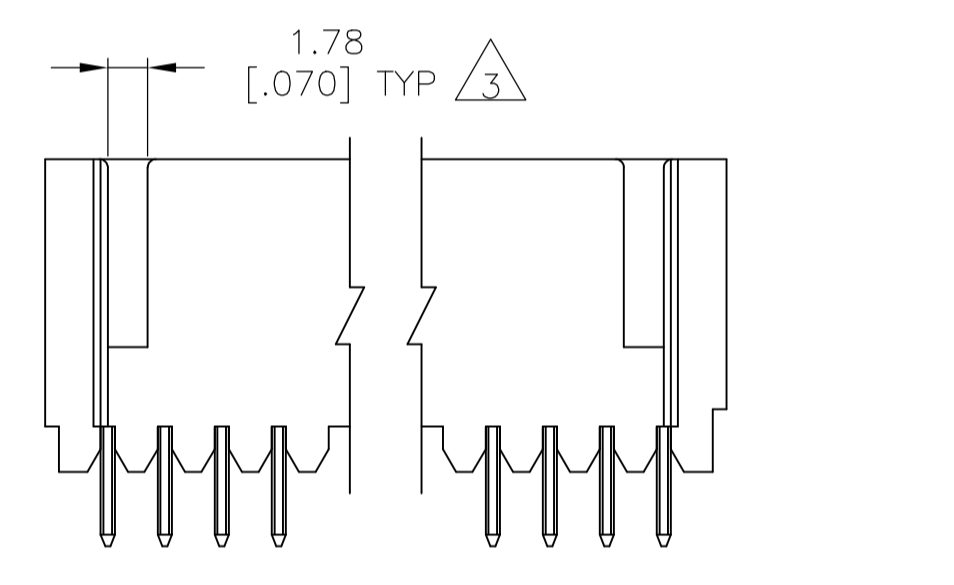
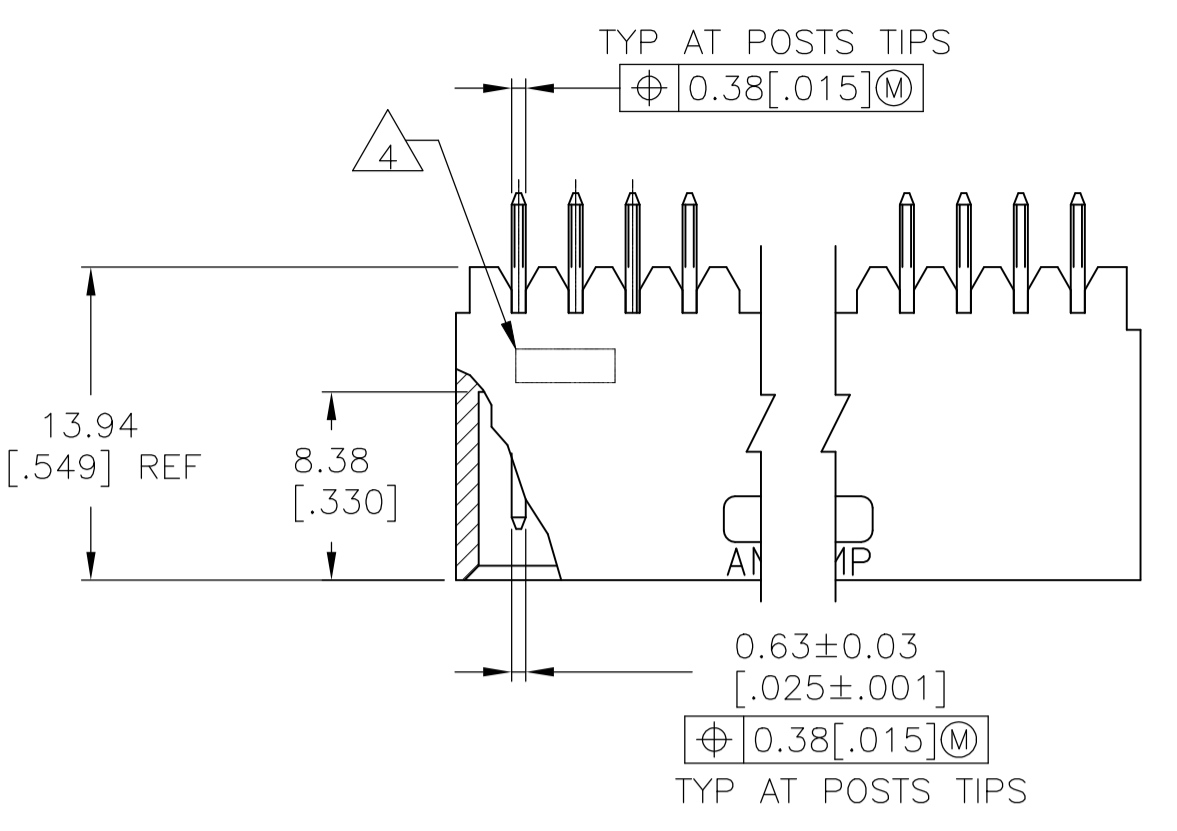


REVISIONS					
P	LTR	DESCRIPTION	DATE	DRN	APVD
P3		PART STATUS UPDATED IN PART LIST TABLE	08FEB2018	SD	PS

- 1 STANDOFFS: UP TO 9 POS--(2 REQD) ON THE OUTSIDE ENDS OF THE HOUSING
 10 TO 19 POS--(3 REQD) TWO ON THE OUTSIDE ENDS AND ONE CENTERED ON THE HOUSING
 19 POS AND LARGER--(4 REQD) TWO ON THE OUTSIDE ENDS AND TWO SPACED EVENLY WITHIN THE REMAINING LENGTH OF THE HOUSING
- 2 POINT OF MEASUREMENT FOR PLATING THICKNESS
- 3 FOR 3 POS (3--4 ONLY) ONE SLOT, 5.46[.215] WIDE.
- 4 RECESSED DATE CODE
- 5 HOUSING: FLAME RETARDANT THERMOPLASTIC, COLOR - BLACK.
 POSTS: BRASS.
- 6 0.00038[.000015] GOLD ON THE CONTACT AREA,
 0.00254[.000100]-0.00508[.000200] MATTE TIN-LEAD ON THE SOLDER TAIL
 ALL OVER 0.00127[.000050] NICKEL.
- 7 0.00038[.000015] GOLD ON THE CONTACT AREA,
 0.00254[.000100]-0.00508[.000200] MATTE TIN ON THE SOLDER TAIL
 ALL OVER 0.00127[.000050] NICKEL.
- 8 OBSOLETE PARTS: OBSOLETE CIS STREAMLINING PER D.RENAUD/D.SINISI



RECOMMENDED HOLE LAYOUT

3	2	1	2	3	8-102202-4	
OBSOLETE	10.67 [.420]	8.64 [.340]	5.08 [.200]	24	25	
OBSOLETE	66.55 [2.620]	64.52 [2.540]	60.96 [2.400]	23	24	
OBSOLETE	64.01 [2.520]	61.98 [2.440]	58.42 [2.300]	22	23	
OBSOLETE	61.47 [2.420]	59.44 [2.340]	55.88 [2.200]	21	22	
OBSOLETE	58.93 [2.320]	56.90 [2.240]	53.34 [2.100]	20	21	
OBSOLETE	56.39 [2.220]	54.36 [2.140]	50.80 [2.000]	19	20	
OBSOLETE	53.85 [2.120]	51.82 [2.040]	48.26 [1.900]	18	19	
OBSOLETE	51.31 [2.020]	49.28 [1.940]	45.72 [1.800]	17	18	
OBSOLETE	48.77 [1.920]	46.74 [1.840]	43.18 [1.700]	16	17	
OBSOLETE	46.23 [1.820]	44.20 [1.740]	40.64 [1.600]	15	16	
OBSOLETE	43.69 [1.720]	41.66 [1.640]	38.10 [1.500]	14	15	
OBSOLETE	41.15 [1.620]	39.12 [1.540]	35.56 [1.400]	13	14	
OBSOLETE	38.61 [1.520]	36.58 [1.440]	33.02 [1.300]	12	13	
OBSOLETE	36.07 [1.420]	34.04 [1.340]	30.48 [1.200]	11	12	
OBSOLETE	33.53 [1.320]	31.50 [1.240]	27.94 [1.100]	10	11	
OBSOLETE	30.99 [1.220]	28.96 [1.140]	25.40 [1.000]	9	10	
OBSOLETE	28.45 [1.120]	26.42 [1.040]	22.86 [900]	8	9	
OBSOLETE	25.91 [1.020]	23.88 [940]	20.32 [800]	7	8	
OBSOLETE	23.37 [920]	21.34 [840]	17.78 [700]	6	7	
OBSOLETE	20.83 [820]	18.80 [740]	15.24 [600]	5	6	
OBSOLETE	18.29 [720]	16.26 [640]	12.70 [500]	4	5	
OBSOLETE	15.75 [620]	13.72 [540]	10.16 [400]	3	4	
OBSOLETE	13.21 [520]	11.18 [440]	7.62 [300]	2	3	
OBSOLETE	94.49 [3.720]	92.46 [3.640]	88.90 [3.500]	35	36	
OBSOLETE	91.95 [3.620]	89.92 [3.540]	86.36 [3.400]	34	35	
OBSOLETE	89.41 [3.520]	87.38 [3.440]	83.82 [3.300]	33	34	
OBSOLETE	86.87 [3.420]	84.84 [3.340]	81.28 [3.200]	32	33	
OBSOLETE	84.33 [3.320]	82.30 [3.240]	78.74 [3.100]	31	32	
OBSOLETE	81.79 [3.220]	79.76 [3.140]	76.20 [3.000]	30	31	
OBSOLETE	79.25 [3.120]	77.22 [3.040]	73.66 [2.900]	29	30	
OBSOLETE	76.71 [3.020]	74.68 [2.940]	71.12 [2.800]	28	29	
OBSOLETE	74.17 [2.920]	72.14 [2.840]	68.58 [2.700]	27	28	
OBSOLETE	71.63 [2.820]	69.60 [2.740]	66.04 [2.600]	26	27	
OBSOLETE	69.09 [2.720]	67.06 [2.640]	63.50 [2.500]	25	26	
OBSOLETE	66.55 [2.620]	64.52 [2.540]	60.96 [2.400]	24	25	
OBSOLETE	64.01 [2.520]	61.98 [2.440]	58.42 [2.300]	23	24	
OBSOLETE	61.47 [2.420]	59.44 [2.340]	55.88 [2.200]	22	23	
OBSOLETE	58.93 [2.320]	56.90 [2.240]	53.34 [2.100]	21	22	
OBSOLETE	56.39 [2.220]	54.36 [2.140]	50.80 [2.000]	20	21	
OBSOLETE	53.85 [2.120]	51.82 [2.040]	48.26 [1.900]	19	20	
OBSOLETE	51.31 [2.020]	49.28 [1.940]	45.72 [1.800]	18	19	
OBSOLETE	48.77 [1.920]	46.74 [1.840]	43.18 [1.700]	17	18	
OBSOLETE	46.23 [1.820]	44.20 [1.740]	40.64 [1.600]	16	17	
OBSOLETE	43.69 [1.720]	41.66 [1.640]	38.10 [1.500]	15	16	
OBSOLETE	41.15 [1.620]	39.12 [1.540]	35.56 [1.400]	14	15	
OBSOLETE	38.61 [1.520]	36.58 [1.440]	33.02 [1.300]	13	14	
OBSOLETE	36.07 [1.420]	34.04 [1.340]	30.48 [1.200]	12	13	
OBSOLETE	33.53 [1.320]	31.50 [1.240]	27.94 [1.100]	11	12	
OBSOLETE	30.99 [1.220]	28.96 [1.140]	25.40 [1.000]	10	11	
OBSOLETE	28.45 [1.120]	26.42 [1.040]	22.86 [900]	9	10	
OBSOLETE	25.91 [1.020]	23.88 [940]	20.32 [800]	8	9	
OBSOLETE	23.37 [920]	21.34 [840]	17.78 [700]	7	8	
OBSOLETE	20.83 [820]	18.80 [740]	15.24 [600]	6	7	
OBSOLETE	18.29 [720]	16.26 [640]	12.70 [500]	5	6	
OBSOLETE	15.75 [620]	13.72 [540]	10.16 [400]	4	5	
OBSOLETE	13.21 [520]	11.18 [440]	7.62 [300]	3	4	
PLATING	D	C	B	A	NO OF POSN	PART NUMBER

SUPERSEDED BY 6-102202-4

THIS DRAWING IS A CONTROLLED DOCUMENT. DRN: F. BRANDBERG 04NOV97
 DIMENSIONS: mm [INCHES] TOLERANCES UNLESS OTHERWISE SPECIFIED: 0 PLC ±, 1 PLC ±, 2 PLC ±, 3 PLC ± 0.38 [.015], 4 PLC ±, ANGLES ±.
 MATERIAL: 5 FINISH: SEE TABLE WEIGHT: -
 CUSTOMER DRAWING
 APVD: S. SHUJEE 04NOV97 NAME: ASSEMBLY, MOD II, HEADER, SINGLE ROW .100 C/L. VERTICAL, WITH .025 SQUARE POSTS
 APPLICATION SPEC: -
 SIZE: A1 CAGE CODE: 00779 DRAWING NO: 102202 RESTRICTED TO: -
 SCALE: 3:1 SHEET: 1 OF 1 REV: P3

X-ON Electronics

Largest Supplier of Electrical and Electronic Components

Click to view similar products for te connectivity manufacturer:

Other Similar products are found below :

[570416-000](#) [CLTEQ-M81CE-SSRELAY-4-20V](#) [4-1633138-8](#) [1-2217206-1](#) [D38999/24FJ4AN](#) [358838-000](#) [4-1195131-0](#) [650069-000](#)
[SMD100-2](#) [CB-1022B-78](#) [RM707012](#) [RP410012](#) [MMS42](#) [1-640426-8](#) [2EDL4CM](#) [DTS20W19-11PD-3028](#) [DTS20W19-11PD-3028-LC](#)
[DTS20W19-32SD-3028-LC](#) [DTS20W19-32SD-3028](#) [RM202615](#) [NC6-P104-06](#) [TXR64AB90-3616AI](#) [MSPS103B](#) [DTS26F21-41HE](#)
[DTS26F21-41AE](#) [DTS26F21-41PE-LC](#) [DTS26F21-11SE-3028-LC](#) [1932144-1](#) [293545-4](#) [LVR125S](#) [MS27466T25F4PB](#) [CKB-38-78010](#)
[1206SFF150F/63-2](#) [5-2027513-8](#) [D38999/20JB35HA](#) [D38999/24WJ20PA](#) [1754138-1](#) [TE1500A2R2J](#) [DTS24F25-29PC-3028-LC](#) [164-8033-](#)
[08](#) [D38999/24WG11HA](#) [D38999/24WG11HN](#) [MS27467T21F11H](#) [DJT16E21-11HA](#) [1206SFH150F/24-2](#) [1-532955-3](#) [DTS20W19-32SA-](#)
[3028-LC](#) [DTS24F19-11SC-3028-LC](#) [DTS24F19-11SC-3028](#) [D38999/20WC8BB](#)