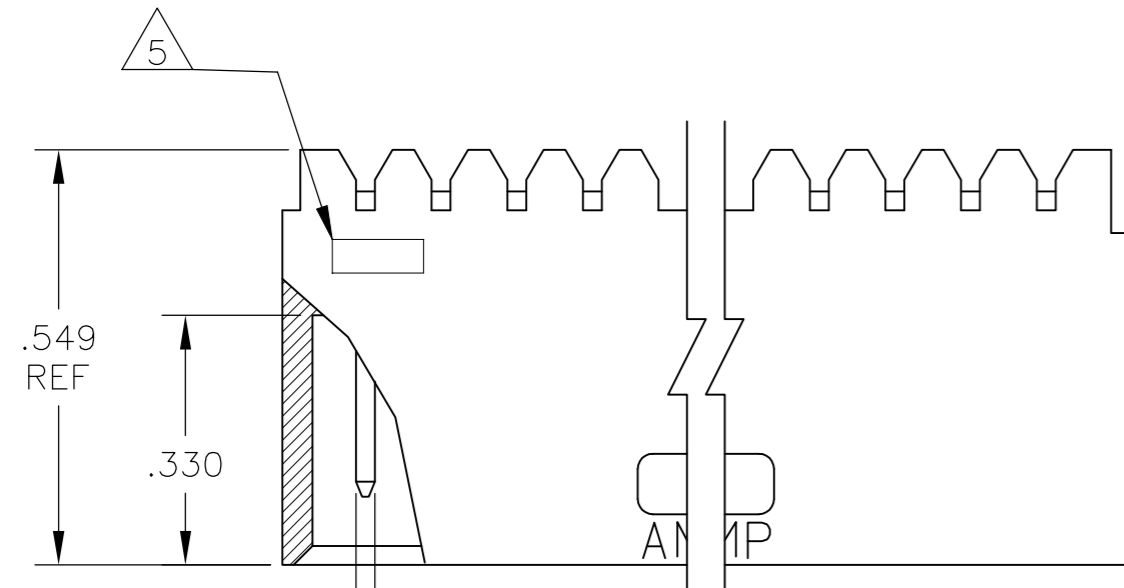
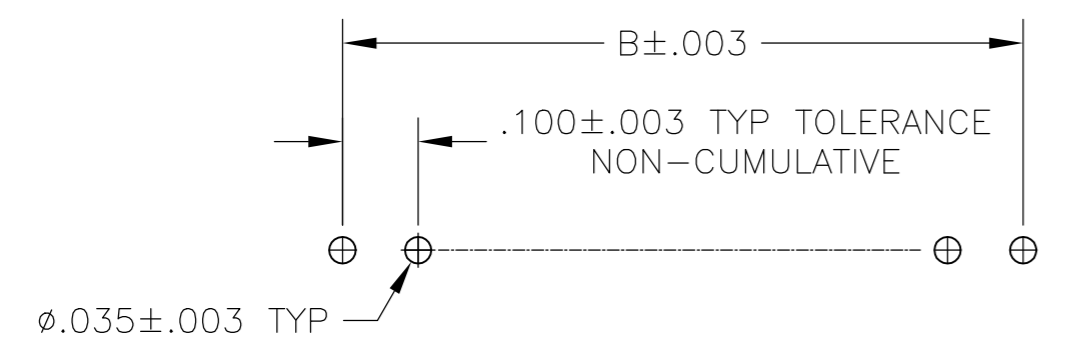
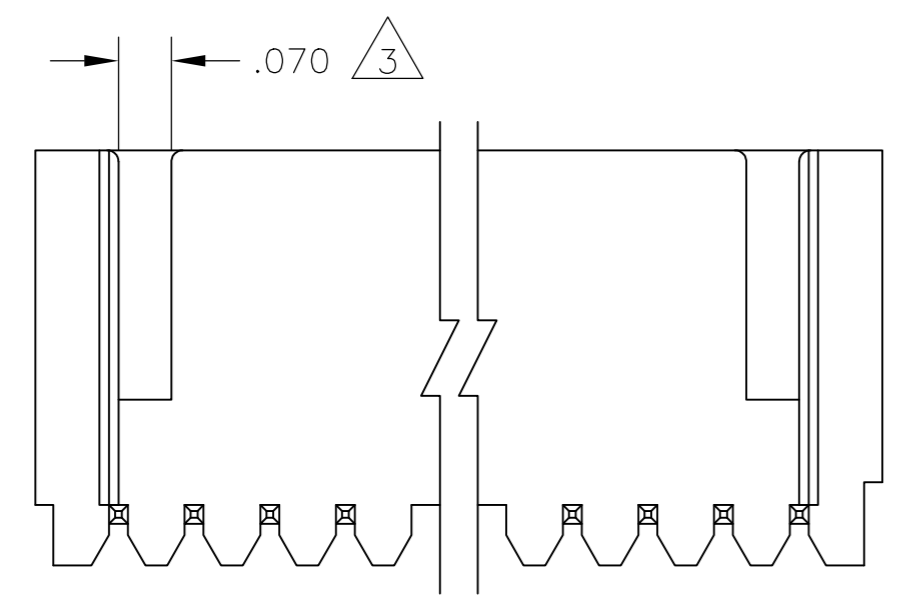
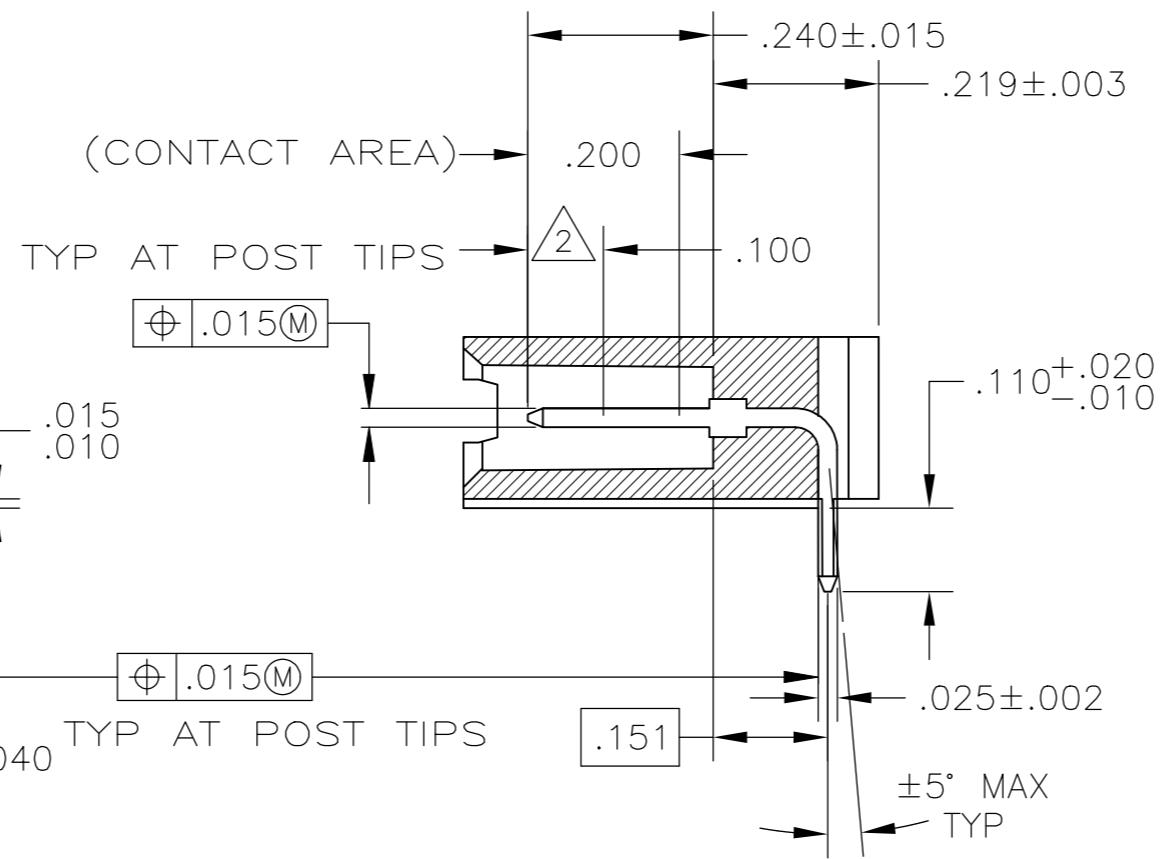
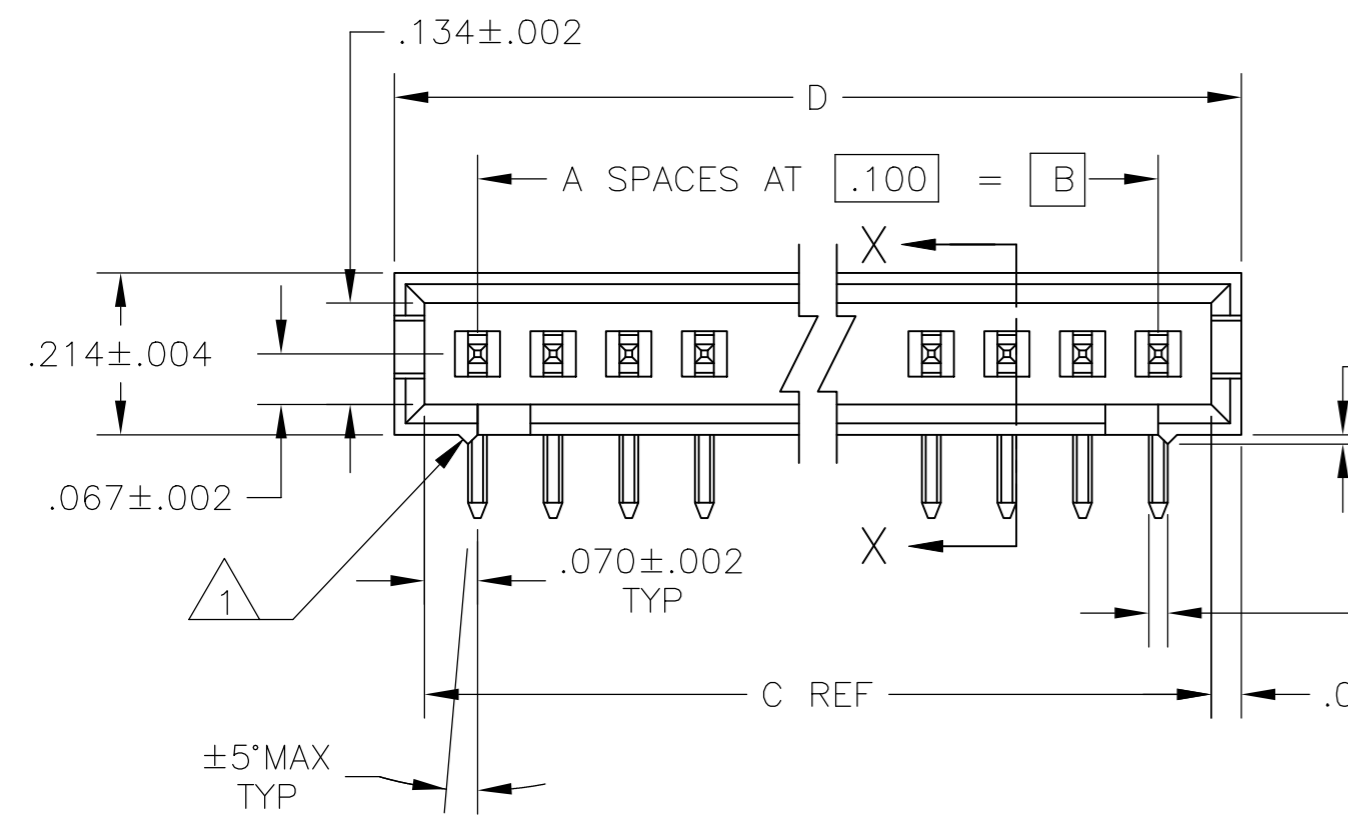


THIS DRAWING IS UNPUBLISHED. RELEASED FOR PUBLICATION. ALL RIGHTS RESERVED.

| REVISIONS | | | | | |
|-----------|-----|--|-----------|-----|------|
| P | LTR | DESCRIPTION | DATE | DWN | APVD |
| | W1 | PART STATUS UPDATED IN PART LIST TABLE | 07FEB2018 | SD | PS |



- 1 STANDOFFS: UP TO 9 POS-(2 REQD) ON THE OUTSIDE ENDS OF THE HOUSING 10 TO 19 POS-(3 REQD) TWO ON THE OUTSIDE ENDS AND ONE CENTERED ON THE HOUSING. 19 POS AND LARGER-(4 REQD) TWO ON THE OUTSIDE ENDS AND TWO SPACED EVENLY WITHIN THE REMAINING LENGTH OF THE HOUSING.
- 2 POINT OF MEASUREMENT FOR PLATING THICKNESS.
- 3 FOR 3 POS (3--4 & 3--9 ONLY) ONE SLOT, .215 WIDE.
- 4 INDICATED PARTS ARE PACKAGED IN "GANG-OF-TUBES".
- 5 RECESSED DATE CODE
- 6 INDICATED PARTS ARE PACKAGED IN "SINGLE TUBES".
- 7 .000015 GOLD ON THE CONTACT AREA, .000100-.000200 MATTE TIN-LEAD ON THE SOLDERTAIL, ALL OVER .000050 NICKEL.
- 8 .000015 GOLD ON THE CONTACT AREA, .000100-.000200 MATTE TIN ON THE SOLDERTAIL, ALL OVER .000050 NICKEL.
- 9 PRELIMINARY PART
- 10 OBSOLETE PARTS: OBSOLETE CIS STREAMLINING PER D.RENAUD/D.SINISI



RECOMMENDED HOLE LAYOUT FOR MANUAL INSERTION

| | | | | | | | | | | | | | | | | | | | | | | | |
|---|---|----------------------------|---|--------------------|--------------------|---|---|-------|---|---|-------|---|------|-------|---|---|--------|---|---|-------------------|-----------------|--|--|
| THIS DRAWING IS A CONTROLLED DOCUMENT. | | DWN D.RINGLY 11JUN85 | TE Connectivity Ltd. | | | | | | | | | | | | | | | | | | | | |
| DIMENSIONS: INCHES | | CHK D.DUPLER 11JUN85 | | | | | | | | | | | | | | | | | | | | | |
| TOLERANCES UNLESS OTHERWISE SPECIFIED: | | APVD - | NAME ASSEMBLY, MOD II,HEADER,SINGLE ROW .100 C/L, RIGHT ANGLE,WITH .025 SQ POST | | | | | | | | | | | | | | | | | | | | |
| <table border="1"> <tr><td>0 PLC</td><td>±</td><td>-</td></tr> <tr><td>1 PLC</td><td>±</td><td>-</td></tr> <tr><td>2 PLC</td><td>±</td><td>-</td></tr> <tr><td>3 PLC</td><td>±</td><td>.005</td></tr> <tr><td>4 PLC</td><td>±</td><td>-</td></tr> <tr><td>ANGLES</td><td>±</td><td>-</td></tr> </table> | | 0 PLC | ± | - | 1 PLC | ± | - | 2 PLC | ± | - | 3 PLC | ± | .005 | 4 PLC | ± | - | ANGLES | ± | - | PRODUCT SPEC - | DRAWING NO - | | |
| 0 PLC | ± | - | | | | | | | | | | | | | | | | | | | | | |
| 1 PLC | ± | - | | | | | | | | | | | | | | | | | | | | | |
| 2 PLC | ± | - | | | | | | | | | | | | | | | | | | | | | |
| 3 PLC | ± | .005 | | | | | | | | | | | | | | | | | | | | | |
| 4 PLC | ± | - | | | | | | | | | | | | | | | | | | | | | |
| ANGLES | ± | - | | | | | | | | | | | | | | | | | | | | | |
| MATERIAL RETARDANT THERMOPLASTIC, COLOR-BLACK POSTS-PHOS BRONZE | | FINISH SEE TABLE | APPLICATION SPEC - | SIZE A2 | CAGE CODE 00779 | | | | | | | | | | | | | | | | | | |
| CUSTOMER DRAWING | | | DRAWING NO C=102203 | RESTRICTED TO - | SCALE 4:1 | | | | | | | | | | | | | | | | | | |
| | | | WEIGHT - | SHEET 1 of 2 | REV W1 | | | | | | | | | | | | | | | | | | |

THIS DRAWING IS UNPUBLISHED. RELEASED FOR PUBLICATION
 © COPYRIGHT - By - ALL RIGHTS RESERVED.

| REVISIONS | | | | | |
|-----------|-----|-------------|------|-----|------|
| P | LTR | DESCRIPTION | DATE | DWN | APVD |
| - | - | SEE SHEET 1 | - | - | - |

| PLATING | D | C | B | A | NO OF POS | ASSEMBLY PART NUMBER |
|---------|-------|-------|-------|----|-----------|------------------------|
| 8 | .820 | .740 | .600 | 6 | 7 | 8-102203-6 OBSOLETE |
| 8 | .420 | .340 | .200 | 2 | 3 | 8-102203-4 |
| 8 | 2.620 | 2.540 | 2.400 | 24 | 25 | 7-102203-2 OBSOLETE 10 |
| 8 | 2.520 | 2.440 | 2.300 | 23 | 24 | 7-102203-1 OBSOLETE 10 |
| 8 | 2.420 | 2.340 | 2.200 | 22 | 23 | 7-102203-0 OBSOLETE 10 |
| 8 | 2.320 | 2.240 | 2.100 | 21 | 22 | 6-102203-9 |
| 8 | 2.220 | 2.140 | 2.000 | 20 | 21 | 6-102203-8 OBSOLETE 10 |
| 8 | 2.120 | 2.040 | 1.900 | 19 | 20 | 6-102203-7 |
| 8 | 2.020 | 1.940 | 1.800 | 18 | 19 | 6-102203-6 OBSOLETE 10 |
| 8 | 1.920 | 1.840 | 1.700 | 17 | 18 | 6-102203-5 |
| 8 | 1.820 | 1.740 | 1.600 | 16 | 17 | 6-102203-4 OBSOLETE 10 |
| 8 | 1.720 | 1.640 | 1.500 | 15 | 16 | 6-102203-3 |
| 8 | 1.620 | 1.540 | 1.400 | 14 | 15 | 6-102203-2 |
| 8 | 1.520 | 1.440 | 1.300 | 13 | 14 | 6-102203-1 |
| 8 | 1.420 | 1.340 | 1.200 | 12 | 13 | 6-102203-0 |
| 8 | 1.320 | 1.240 | 1.100 | 11 | 12 | 5-102203-9 |
| 8 | 1.220 | 1.140 | 1.000 | 10 | 11 | 5-102203-8 |
| 8 | 1.120 | 1.040 | .900 | 9 | 10 | 5-102203-7 |
| 8 | 1.020 | .940 | .800 | 8 | 9 | 5-102203-6 OBSOLETE 10 |
| 8 | .920 | .840 | .700 | 7 | 8 | 5-102203-5 |
| 8 | .820 | .740 | .600 | 6 | 7 | 5-102203-4 |
| 8 | .720 | .640 | .500 | 5 | 6 | 5-102203-3 |
| 8 | .620 | .540 | .400 | 4 | 5 | 5-102203-2 |
| 8 | .520 | .440 | .300 | 3 | 4 | 5-102203-1 |

| FINISH | D | C | B | A | NO OF POS | ASSEMBLY PART NUMBER |
|--------|-------|-------|-------|----|-----------|----------------------|
| 8 | 1.720 | 1.640 | 1.500 | 15 | 16 | 4-102203-0 |
| 8 | .420 | .340 | .200 | 2 | 3 | 3-102203-9 |
| 8 | 1.020 | .940 | .800 | 8 | 9 | 3-102203-8 |
| 8 | .520 | .440 | .300 | 3 | 4 | 3-102203-7 |
| 7 | .820 | .740 | .600 | 6 | 7 | 3-102203-6 |
| 7 | 1.120 | 1.040 | .900 | 9 | 10 | 3-102203-5 |
| 7 | .420 | .340 | .200 | 2 | 3 | 3-102203-4 |
| 7 | 3.720 | 3.640 | 3.500 | 35 | 36 | 3-102203-3 |
| 7 | 3.620 | 3.540 | 3.400 | 34 | 35 | 3-102203-2 |
| 7 | 3.520 | 3.440 | 3.300 | 33 | 34 | 3-102203-1 |
| 7 | 3.420 | 3.340 | 3.200 | 32 | 33 | 3-102203-0 |
| 7 | 3.320 | 3.240 | 3.100 | 31 | 32 | 2-102203-9 |
| 7 | 3.220 | 3.140 | 3.000 | 30 | 31 | 2-102203-8 |
| 7 | 3.120 | 3.040 | 2.900 | 29 | 30 | 2-102203-7 |
| 7 | 3.020 | 2.940 | 2.800 | 28 | 29 | 2-102203-6 |
| 7 | 2.920 | 2.840 | 2.700 | 27 | 28 | 2-102203-5 |
| 7 | 2.820 | 2.740 | 2.600 | 26 | 27 | 2-102203-4 |
| 7 | 2.720 | 2.640 | 2.500 | 25 | 26 | 2-102203-3 |
| 7 | 2.620 | 2.540 | 2.400 | 24 | 25 | 2-102203-2 |
| 7 | 2.520 | 2.440 | 2.300 | 23 | 24 | 2-102203-1 |
| 7 | 2.420 | 2.340 | 2.200 | 22 | 23 | 2-102203-0 |
| 7 | 2.320 | 2.240 | 2.100 | 21 | 22 | 1-102203-9 |
| 7 | 2.220 | 2.140 | 2.000 | 20 | 21 | 1-102203-8 |
| 7 | 2.120 | 2.040 | 1.900 | 19 | 20 | 1-102203-7 |
| 7 | 2.020 | 1.940 | 1.800 | 18 | 19 | 1-102203-6 |
| 7 | 1.920 | 1.840 | 1.700 | 17 | 18 | 1-102203-5 |
| 7 | 1.820 | 1.740 | 1.600 | 16 | 17 | 1-102203-4 |
| 7 | 1.720 | 1.640 | 1.500 | 15 | 16 | 1-102203-3 |
| 7 | 1.620 | 1.540 | 1.400 | 14 | 15 | 1-102203-2 |
| 7 | 1.520 | 1.440 | 1.300 | 13 | 14 | 1-102203-1 |
| 7 | 1.420 | 1.340 | 1.200 | 12 | 13 | 1-102203-0 |
| 7 | 1.320 | 1.240 | 1.100 | 11 | 12 | 102203-9 |
| 7 | 1.220 | 1.140 | 1.000 | 10 | 11 | 102203-8 |
| 7 | 1.120 | 1.040 | .900 | 9 | 10 | 102203-7 |
| 7 | 1.020 | .940 | .800 | 8 | 9 | 102203-6 |
| 7 | .920 | .840 | .700 | 7 | 8 | 102203-5 |
| 7 | .820 | .740 | .600 | 6 | 7 | 102203-4 |
| 7 | .720 | .640 | .500 | 5 | 6 | 102203-3 |
| 7 | .620 | .540 | .400 | 4 | 5 | 102203-2 |
| 7 | .520 | .440 | .300 | 3 | 4 | 102203-1 |

THIS DRAWING IS A CONTROLLED DOCUMENT.

DWN: D.RINGLY 11JUN85
 CHK: D.DUPLER 11JUN85

TE Connectivity Ltd.

ASSEMBLY, MOD II,HEADER,SINGLE ROW
 .100 C/L, RIGHT ANGLE,WITH .025 SQ POST

SIZE: A2 CAGE CODE: 00779 DRAWING NO: 102203

WEIGHT: -

CUSTOMER DRAWING

SCALE: 1:1 SHEET: 2 of 2 REV: W1

X-ON Electronics

Largest Supplier of Electrical and Electronic Components

Click to view similar products for [Headers & Wire Housings](#) category:

Click to view products by [TE Connectivity](#) manufacturer:

Other Similar products are found below :

[892-18-020-10-001101](#) [58102-G61-06LF](#) [582553-1](#) [0009485154](#) [009176003701906](#) [0050291907](#) [LY20-4P-DT1-P1E-BR](#) [02.125.8002.8](#)
[609-3404](#) [61062-3](#) [61082-181009](#) [622-3653LF](#) [63453-116](#) [636-1030](#) [636-1427](#) [636-3427](#) [636-4007](#) [641938-9](#) [641991-4](#) [644827-2](#) [65817-010LF](#) [65817-015LF](#) [65863-015LF](#) [66207-023LF](#) [67095-007LF](#) [67601157](#) [68645-018](#) [68648-049](#) [70.362.1628.0](#) [70-4210](#) [70-4226B](#) [70-4853B](#) [707-5020](#) [707-5028](#) [71.350.2428.0](#) [71918-208LF](#) [71961-016LF](#) [733-134](#) [733-162](#) [754199-000](#) [760-3052](#) [787-8014-00](#) [79531-3000](#)
[FCN-360C032-B](#) [FCN-367T-T012/H](#) [FCN-723D010/2](#) [80.063.4001.1](#) [800-90-001-10-001000](#) [800-90-010-10-002000](#) [801-43-002-10-013000](#)