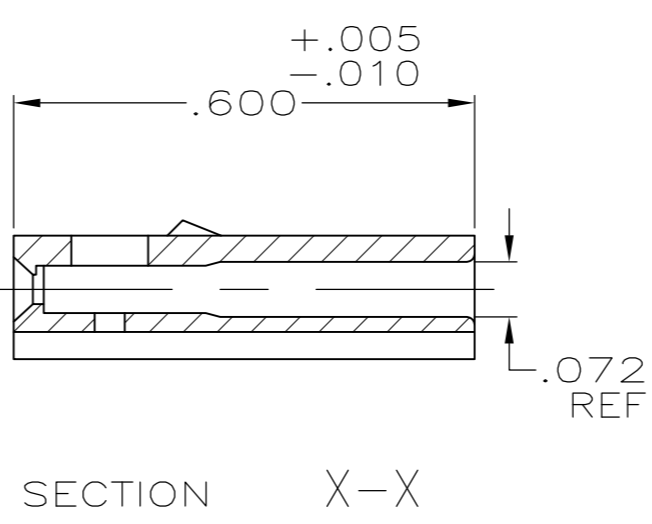
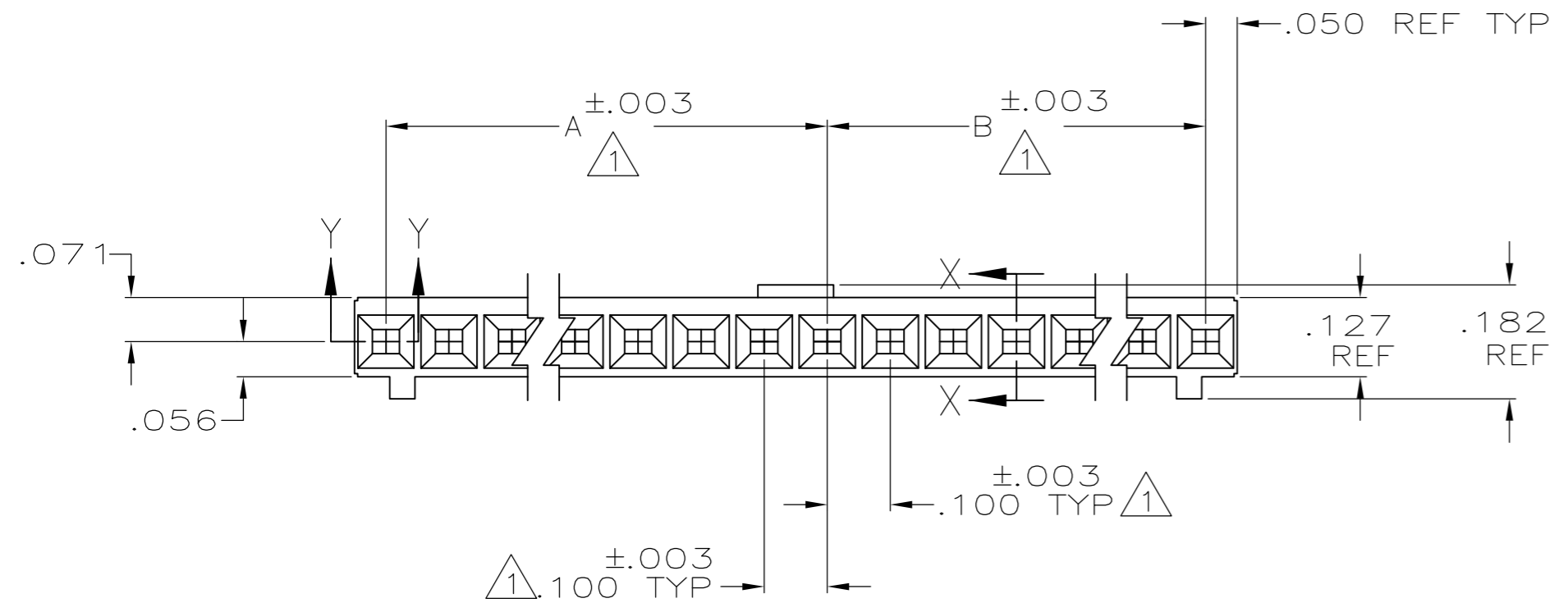
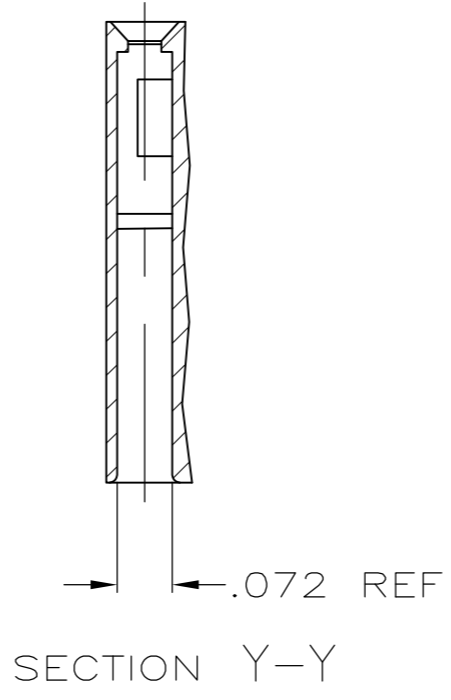
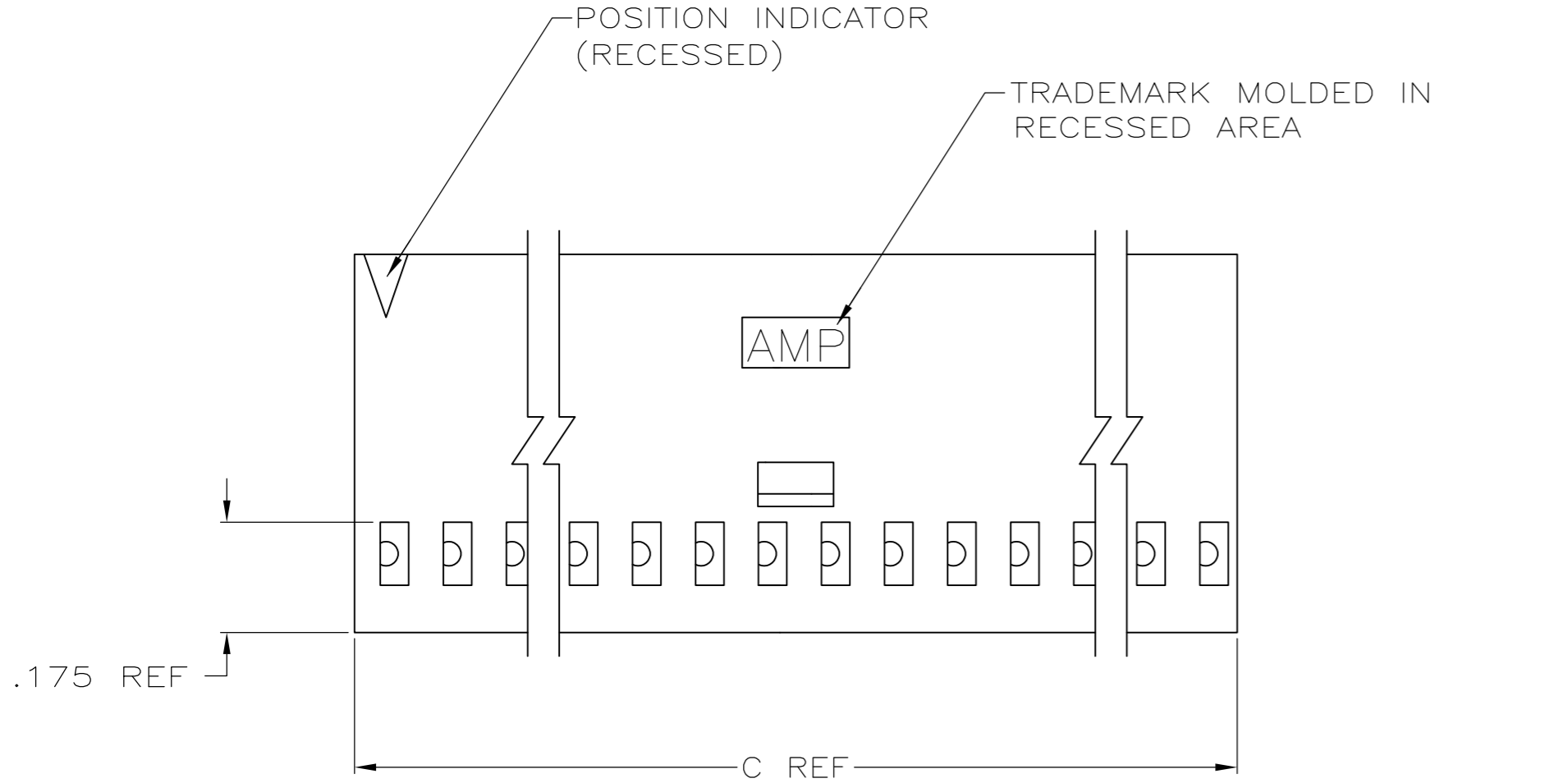


THIS DRAWING IS UNPUBLISHED. RELEASED FOR PUBLICATION  
 © COPYRIGHT - By - ALL RIGHTS RESERVED.

LOC	DIST	REVISIONS					
AD	39	P	LTR	DESCRIPTION	DATE	DWN	APVD
		N3		REVISED PER ECO-11-004587	11MAR11	RK	HMR



 OBSOLETE	3.600	1.700	1.800	36	<del>3-102241-4</del>	
	3.500	1.700	1.700	35	<del>3-102241-3</del>	
	3.400	1.600	1.700	34	<del>3-102241-2</del>	
	3.300	1.600	1.600	33	<del>3-102241-1</del>	
	3.200	1.500	1.600	32	<del>3-102241-0</del>	
	3.100	1.500	1.500	31	<del>2-102241-9</del>	
	3.000	1.400	1.500	30	<del>2-102241-8</del>	
	2.900	1.400	1.400	29	<del>2-102241-7</del>	
	2.800	1.300	1.400	28	<del>2-102241-6</del>	
	2.700	1.300	1.300	27	<del>2-102241-5</del>	
	2.600	1.200	1.300	26	<del>2-102241-4</del>	
	2.500	1.200	1.200	25	<del>2-102241-3</del>	
	2.400	1.100	1.200	24	<del>2-102241-2</del>	
	2.300	1.100	1.100	23	<del>2-102241-1</del>	
	2.200	1.000	1.100	22	<del>2-102241-0</del>	
	 OBSOLETE	2.100	1.000	1.000	21	<del>1-102241-9</del>
		2.000	.900	1.000	20	<del>1-102241-8</del>
		1.900	.900	.900	19	<del>1-102241-7</del>
		1.800	.800	.900	18	<del>1-102241-6</del>
		1.700	.800	.800	17	<del>1-102241-5</del>
		1.600	.700	.800	16	<del>1-102241-4</del>
		1.500	.700	.700	15	<del>1-102241-3</del>
		1.400	.600	.700	14	<del>1-102241-2</del>
	1.300	.600	.600	13	<del>1-102241-1</del>	
	1.200	.500	.600	12	<del>1-102241-0</del>	
	1.100	.500	.500	11	<del>102241-9</del>	
	1.000	.400	.500	10	<del>102241-8</del>	
	.900	.400	.400	9	<del>102241-7</del>	
	.800	.300	.400	8	<del>102241-6</del>	
	.700	.300	.300	7	<del>102241-5</del>	
	.600	.200	.300	6	<del>102241-4</del>	
	.500	.200	.200	5	<del>102241-3</del>	
	.400	.100	.200	4	<del>102241-2</del>	
	.300	.100	.100	3	<del>102241-1</del>	
	C	B	A	NO OF POS	PART NUMBER	

- ① CAVITY LOCATION DIMENSIONS INCREASE IN INCREMENTS OF .100 TOLERANCE NON-CUMULATIVE
- 2 USE EXTRACTION TOOL 91052-1 TO REMOVE RECEPTACLE CONTACTS
- ③ OBSOLETE PARTS: OBSOLETE CIS STREAMLINING PER D.RENAUD/D.SINISI

THIS DRAWING IS A CONTROLLED DOCUMENT.		DWN D FABIAN 8-2-78	TE Connectivity	
DIMENSIONS: INCHES		CHK B WOLFE 10-27-78	APVD -	
TOLERANCES UNLESS OTHERWISE SPECIFIED:		NAME		
0 PLC ± - 1 PLC ± - 2 PLC ± - 3 PLC ± .005 4 PLC ± - ANGLES ± - FINISH -		PRODUCT SPEC - APPLICATION SPEC - WEIGHT -		
MATERIAL: GLASS FILLED NYLON, FLAME RETARDANT, COLOR: BLACK PER ASTM D4066		SIZE: A2 CAGE CODE: 00779 DRAWING NO: C=102241 RESTRICTED TO: -		
CUSTOMER DRAWING		SCALE: - SHEET: 1 OF 1 REV: N3		

## X-ON Electronics

Largest Supplier of Electrical and Electronic Components

*Click to view similar products for [Headers & Wire Housings](#) category:*

*Click to view products by [TE Connectivity](#) manufacturer:*

Other Similar products are found below :

[892-18-020-10-001101](#) [58102-G61-06LF](#) [582553-1](#) [0009485154](#) [009176003701906](#) [0050291907](#) [LY20-4P-DT1-P1E-BR](#) [02.125.8002.8](#)  
[609-3404](#) [61062-3](#) [61082-181009](#) [622-3653LF](#) [63453-116](#) [636-1030](#) [636-1427](#) [636-3427](#) [636-4007](#) [641938-9](#) [641991-4](#) [644827-2](#) [65817-](#)  
[010LF](#) [65817-015LF](#) [65863-015LF](#) [66207-023LF](#) [67095-007LF](#) [67601157](#) [68645-018](#) [68648-049](#) [70.362.1628.0](#) [70-4210](#) [70-4226B](#) [70-](#)  
[4853B](#) [707-5020](#) [707-5028](#) [71.350.2428.0](#) [71918-208LF](#) [71961-016LF](#) [733-134](#) [733-162](#) [754199-000](#) [760-3052](#) [787-8014-00](#) [79531-3000](#)  
[FCN-360C032-B](#) [FCN-367T-T012/H](#) [FCN-723D010/2](#) [80.063.4001.1](#) [800-90-001-10-001000](#) [800-90-010-10-002000](#) [801-43-002-10-013000](#)