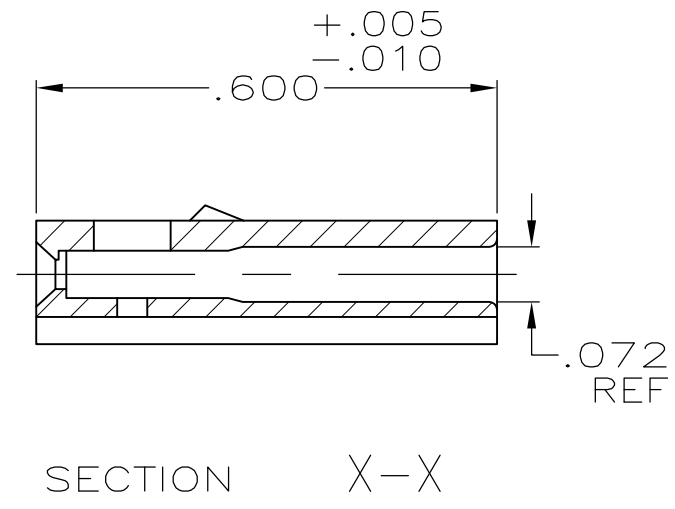
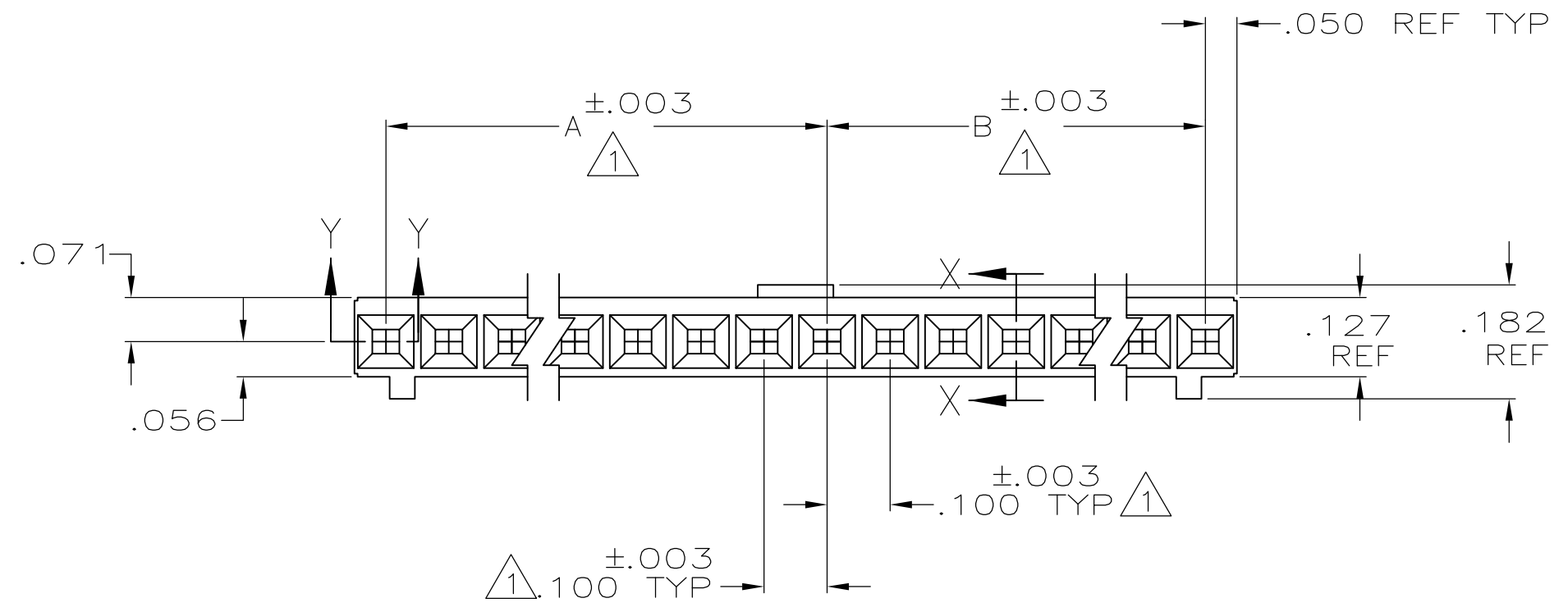
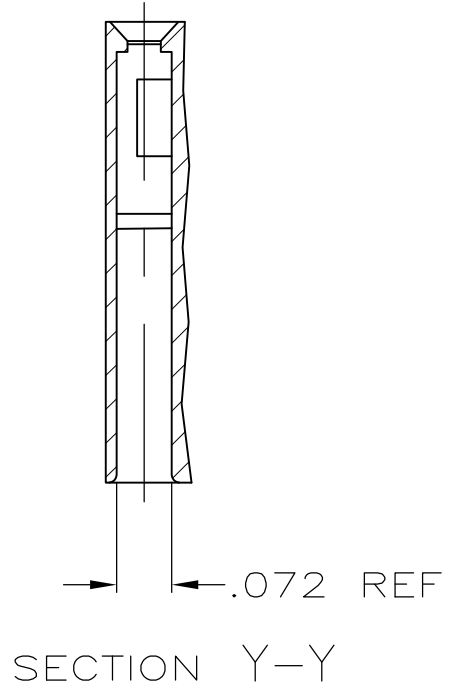
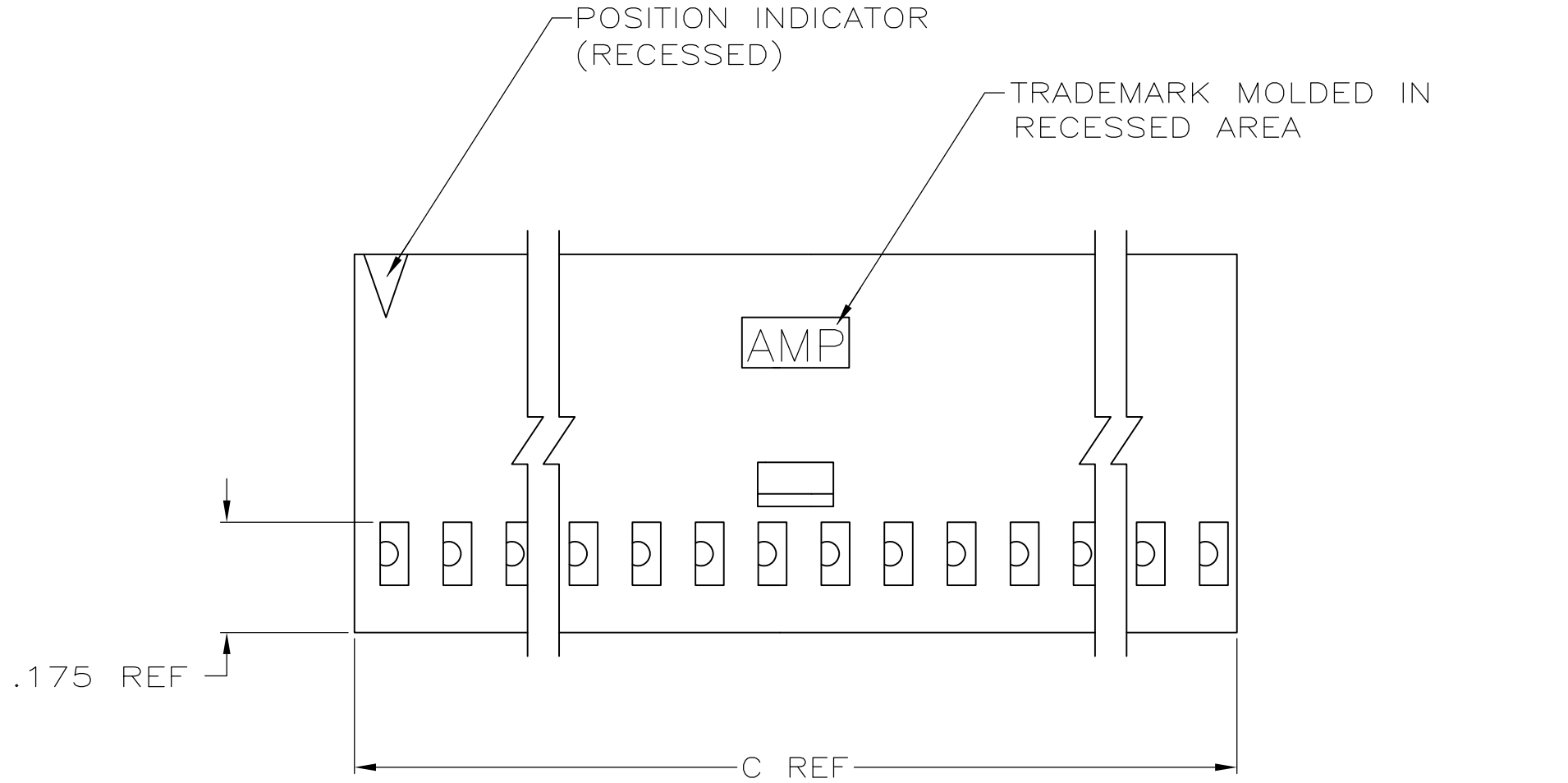


THIS DRAWING IS UNPUBLISHED. RELEASED FOR PUBLICATION
 © COPYRIGHT - By - ALL RIGHTS RESERVED.

LOC	DIST	REVISIONS					
AD	39	P	LTR	DESCRIPTION	DATE	DWN	APVD
		N3		REVISED PER ECO-11-004587	11MAR11	RK	HMR



 OBSOLETE	3.600	1.700	1.800	36	3-102241-4	
	3.500	1.700	1.700	35	3-102241-3	
	3.400	1.600	1.700	34	3-102241-2	
	3.300	1.600	1.600	33	3-102241-1	
	3.200	1.500	1.600	32	3-102241-0	
	3.100	1.500	1.500	31	2-102241-9	
	3.000	1.400	1.500	30	2-102241-8	
	2.900	1.400	1.400	29	2-102241-7	
	2.800	1.300	1.400	28	2-102241-6	
	2.700	1.300	1.300	27	2-102241-5	
	2.600	1.200	1.300	26	2-102241-4	
	2.500	1.200	1.200	25	2-102241-3	
	2.400	1.100	1.200	24	2-102241-2	
	2.300	1.100	1.100	23	2-102241-1	
	OBSOLETE	2.200	1.000	1.100	22	2-102241-0
	 OBSOLETE	2.100	1.000	1.000	21	1-102241-9
		2.000	.900	1.000	20	1-102241-8
		1.900	.900	.900	19	1-102241-7
		1.800	.800	.900	18	1-102241-6
		1.700	.800	.800	17	1-102241-5
		1.600	.700	.800	16	1-102241-4
		1.500	.700	.700	15	1-102241-3
		1.400	.600	.700	14	1-102241-2
1.300		.600	.600	13	1-102241-1	
1.200		.500	.600	12	1-102241-0	
	1.100	.500	11	102241-9		
	1.000	.400	10	102241-8		
	.900	.400	9	102241-7		
	.800	.300	8	102241-6		
	.700	.300	7	102241-5		
	.600	.200	6	102241-4		
	.500	.200	5	102241-3		
	.400	.100	4	102241-2		
	.300	.100	3	102241-1		
	C	B	A	NO OF POS	PART NUMBER	

- 1 CAVITY LOCATION DIMENSIONS INCREASE IN INCREMENTS OF .100 TOLERANCE NON-CUMULATIVE
- 2 USE EXTRACTION TOOL 91052-1 TO REMOVE RECEPTACLE CONTACTS
- 3 OBSOLETE PARTS: OBSOLETE CIS STREAMLINING PER D.RENAUD/D.SINISI

THIS DRAWING IS A CONTROLLED DOCUMENT.

DWN D FABIAN 8-2-78	 TE Connectivity
CHK B WOLFE 10-27-78	
APVD -	NAME
PRODUCT SPEC -	CONN HOUSING, CRIMP SNAP-IN MOD IV, SINGLE ROW, .100 CENTERS, WITH POLARIZATION AND DETENTS
APPLICATION SPEC -	SIZE A2
WEIGHT -	CAGE CODE 00779
CUSTOMER DRAWING	DRAWING NO C=102241
	RESTRICTED TO -
	SCALE -
	SHEET 1 OF 1
	REV N3

MATERIAL: GLASS FILLED NYLON, FLAME RETARDANT, COLOR: BLACK PER ASTM D4066

FINISH: -

TOLERANCES UNLESS OTHERWISE SPECIFIED:
 0 PLC ± -
 1 PLC ± -
 2 PLC ± -
 3 PLC ± .005
 4 PLC ± -
 ANGLES ± -

X-ON Electronics

Largest Supplier of Electrical and Electronic Components

Click to view similar products for [Headers & Wire Housings](#) category:

Click to view products by [TE Connectivity](#) manufacturer:

Other Similar products are found below :

[892-18-020-10-001101](#) [58102-G61-06LF](#) [582553-1](#) [0009485154](#) [009176003701906](#) [0050291907](#) [LY20-4P-DT1-P1E-BR](#) [02.125.8002.8](#)
[609-3404](#) [61062-3](#) [61082-181009](#) [622-3653LF](#) [63453-116](#) [636-1030](#) [636-1427](#) [636-3427](#) [636-4007](#) [641938-9](#) [641991-4](#) [644827-2](#) [65817-010LF](#) [65817-015LF](#) [65863-015LF](#) [66207-023LF](#) [67095-007LF](#) [67601157](#) [68645-018](#) [68648-049](#) [70.362.1628.0](#) [70-4210](#) [70-4226B](#) [70-4853B](#) [707-5020](#) [707-5028](#) [71.350.2428.0](#) [71918-208LF](#) [71961-016LF](#) [733-134](#) [733-162](#) [754199-000](#) [760-3052](#) [787-8014-00](#) [79531-3000](#)
[FCN-360C032-B](#) [FCN-367T-T012/H](#) [FCN-723D010/2](#) [80.063.4001.1](#) [800-90-001-10-001000](#) [800-90-010-10-002000](#) [801-43-002-10-013000](#)