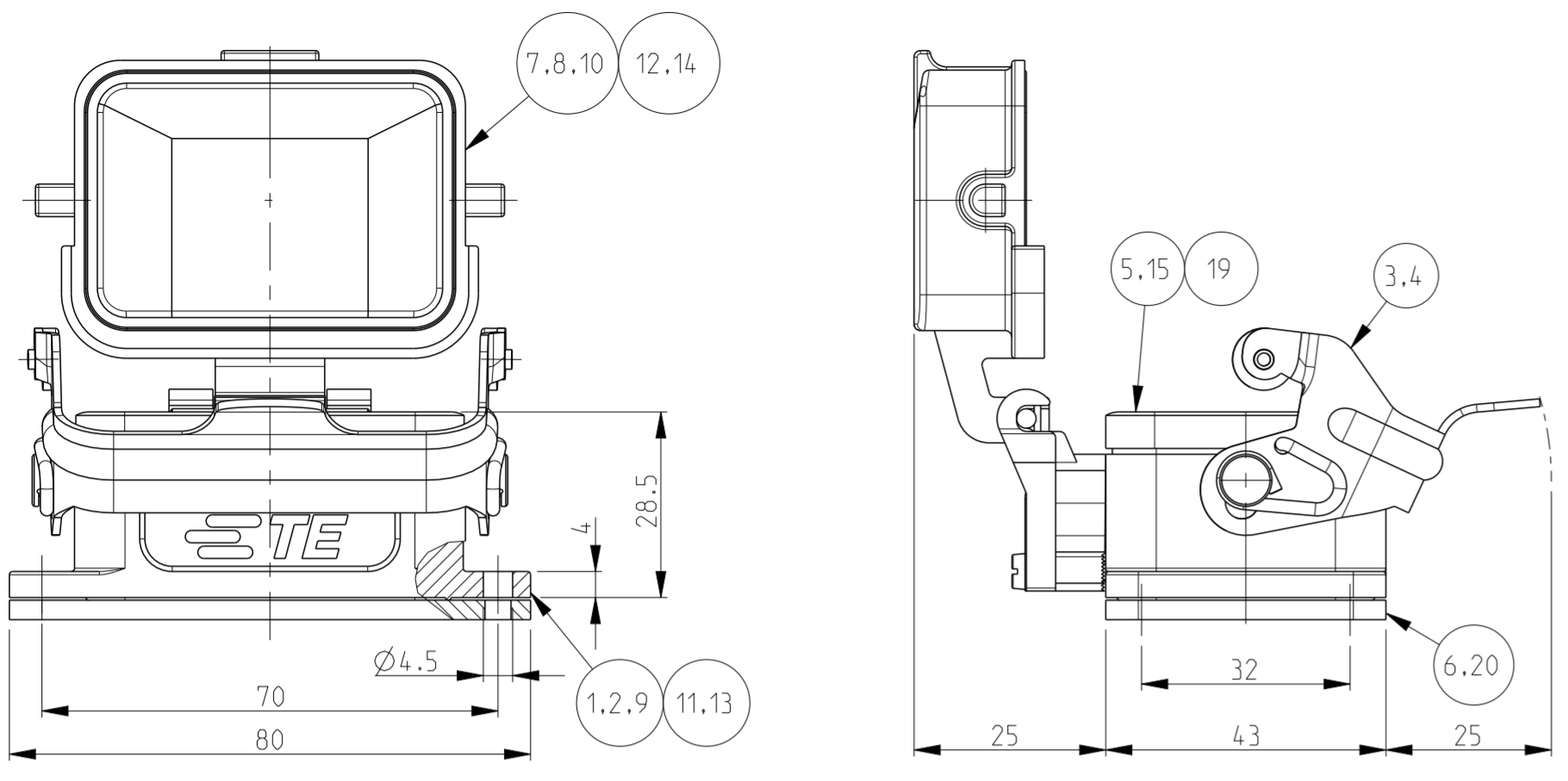


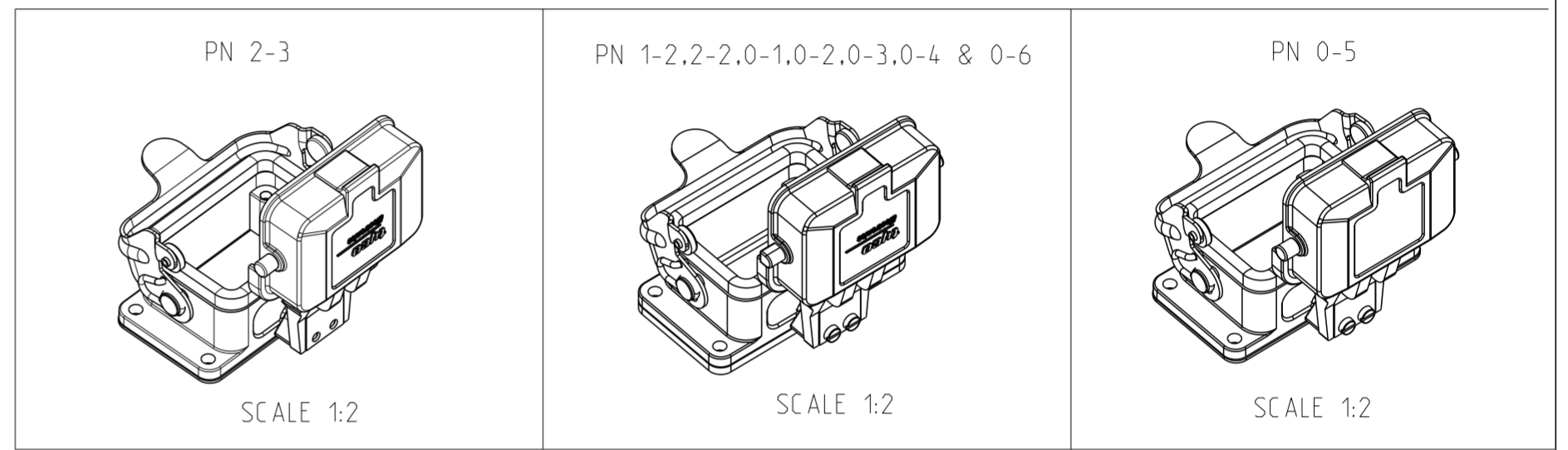
THIS DRAWING IS UNPUBLISHED. RELEASED FOR PUBLICATION .1997  
 © COPYRIGHT 1997 BY - ALL RIGHTS RESERVED.

REVISIONS					
P	LTR	DESCRIPTION	DATE	DWN	APVD
	B3	ECR-17-013084	29MAR2018	SG	MKO

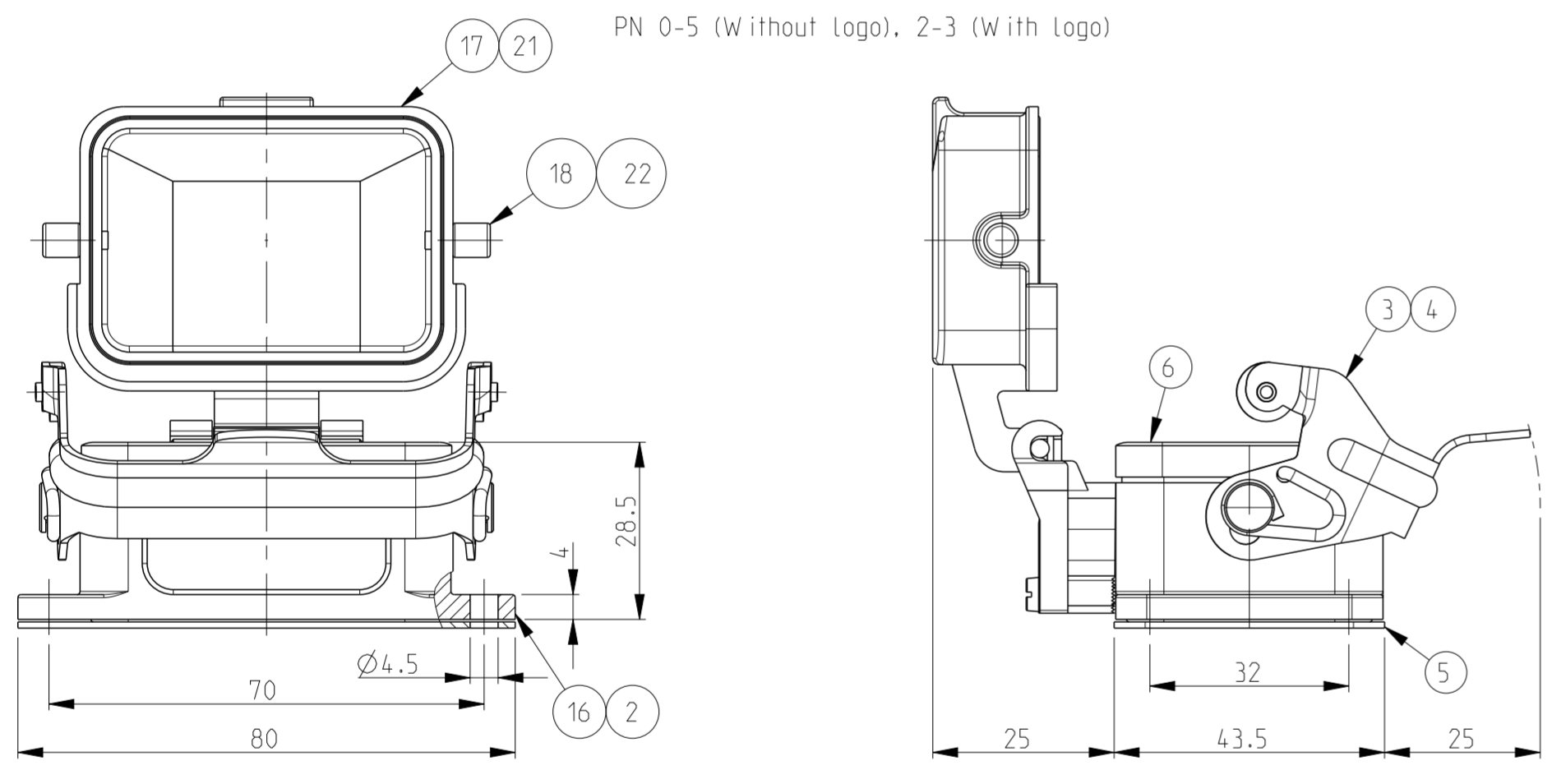
PN 1-2.2-2.0-1.0-2.0-3.0-4 & 0-6



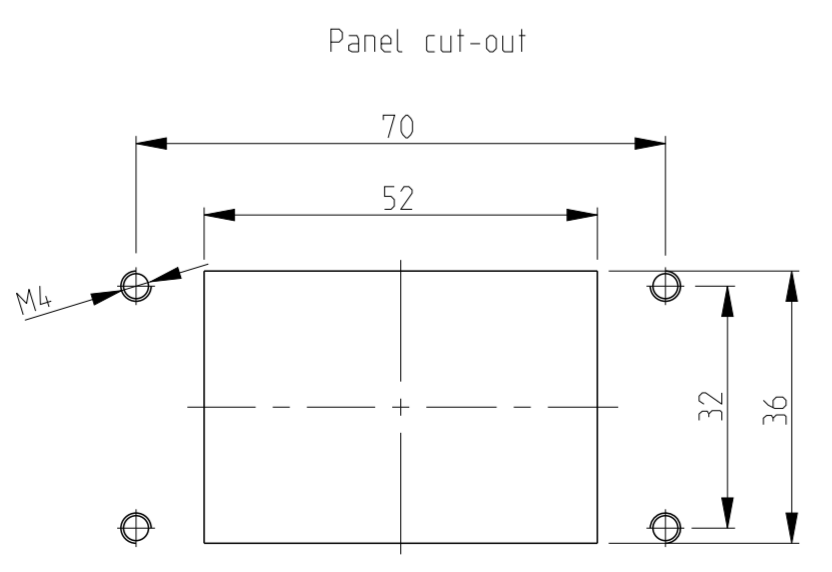
- NOTES.
- Material:Housing:Aluminium Diecasting Alloy  
Seals :Neoprene: Viton
  - Surface: Varnish-Grey/fire-red /alu-colored  
-Aluminium Oxide +  
Varnish Black  
Chromital TCP-Passivation
  - Varnish on the inside not necessary
  - Packaging  
Quantity 5 Pieces in a box
  - Without TE product sign
  - Special Packaging  
Quantity 50 Pieces in a Kanban box



PN 0-5 (Without logo), 2-3 (With logo)



QTY	DESCRIPTION	MATERIAL	SURFACE	COLOR	ITEM NO	NOTES
2	LB Clip bolt	Stainless steel			22	
1	Cover HB-K	Aluminium	Aluminium oxide	Black	21	
1	Flange seal	Viton		Black	20	
1	Profile seal	Viton		Grey	19	
1	LB Clip bolt	Steel	Zinc plated	Blue	18	
1	Cover HB	Aluminium		Grey	17	Without TE logo
1	Surface mounted housing bottom entry HB	Aluminium		Grey	16	Without TE logo
1	Profile seal	Neoprene		Black	15	Conductive
1	Cover HB-EMV	Aluminium	SEE NOTE	Black	14	
1	Surface mounted housing bottom entry HB-EMV	Aluminium	SEE NOTE	Black	13	
1	Cover HB	Aluminium		Borning ried	12	
1	Surface mounted housing bottom entry HB	Aluminium		Borning ried	11	
1	Cover HB	Aluminium	Aluminium oxide	Alu-colored	10	
1	Surface mounted housing bottom entry HB	Aluminium	Aluminium oxide	Alu-colored	9	
1	Cover HB	Aluminium	Aluminium oxide	Black	8	
1	Cover HB	Aluminium		Grey	7	
1	Flange seal	Neoprene		Black	6	
1	Profile seal	Neoprene		Black	5	
1	LB-Side clip HB	Stainless steel	Blank		4	
1	LB-Side clip HB	Steel	Zinc plated	Blue	3	
1	Surface mounted housing bottom entry HB-K	Aluminium	Aluminium oxide	Black	2	
1	Surface mounted housing bottom entry HB	Aluminium		Grey	1	
2-30-6-0-5-0-4-0-3-0-2-0-1-2-2-1-2	DESCRIPTION	MATERIAL	SURFACE	COLOR	ITEM NO	NOTES
	HB.6.AGD-LB					
	HB-K.6.AGD-LB					
	HB-K.6.AGD-LB					
	HB.6.AGD-LB.KM					
	HB.6.AGD-LB.KM					
	HB-EMV.6.AGD-LB					
	HB.6.AGD-LB					
	HB.6.AGD-LB.V					
	HB-K.6.AGD-LB					



THIS DRAWING IS A CONTROLLED DOCUMENT.

DWN: Schneider 23.09.1999  
 CHK: Schweiger 23.09.1999  
 APVD: -

NAME: Surface mounted housing bottom entry HB.6.AGD-LB

PRODUCT SPEC: 108-74001/74003  
 APPLICATION SPEC: 114-74004/74005

SIZE: A2 CAGE CODE: 00779 DRAWING NO: C-1102246 RESTRICTED TO: -

WEIGHT: - SCALE: 1:1 SHEET: 1 OF 1 REV: B3

CUSTOMER DRAWING

## X-ON Electronics

Largest Supplier of Electrical and Electronic Components

*Click to view similar products for [Heavy Duty Power Connectors](#) category:*

*Click to view products by [TE Connectivity](#) manufacturer:*

Other Similar products are found below :

[1424439](#) [1424438](#) [09330062652](#) [605601-1](#) [6340G1](#) [6341G1](#) [6360G1](#) [6373G1](#) [6374g2](#) [6396G1](#) [647757-1](#) [6643411-1](#) [6646058-2](#) [6646137-1](#)  
[6646138-1](#) [6646348-1](#) [6646479-1](#) [6646608-1](#) [6646786-1](#) [6646940-1](#) [6651525-1](#) [6651529-1](#) [6651778-1](#) [6651788-1](#) [696465-1](#) [696475-1](#)  
[73000005059](#) [73000005349](#) [73000005642](#) [73080965046](#) [765-15-0080A](#) [765-16-0080B](#) [789.700-44](#) [789.700-54](#) [80-1010](#) [80-9](#) [827381-1](#)  
[829992-1](#) [902-77-02113](#) [PL00U-301-10D10](#) [PM103MOOLOO](#) [PM212MOOLOO](#) [PM309FOOLOO](#) [PM324FOOLCH](#) [PMHPAF11S03](#)  
[PMHPAF14S01](#) [PMHPAM14P05](#) [PMHPAS06](#) [PMHPBF14S01](#) [PP45PC12S](#)