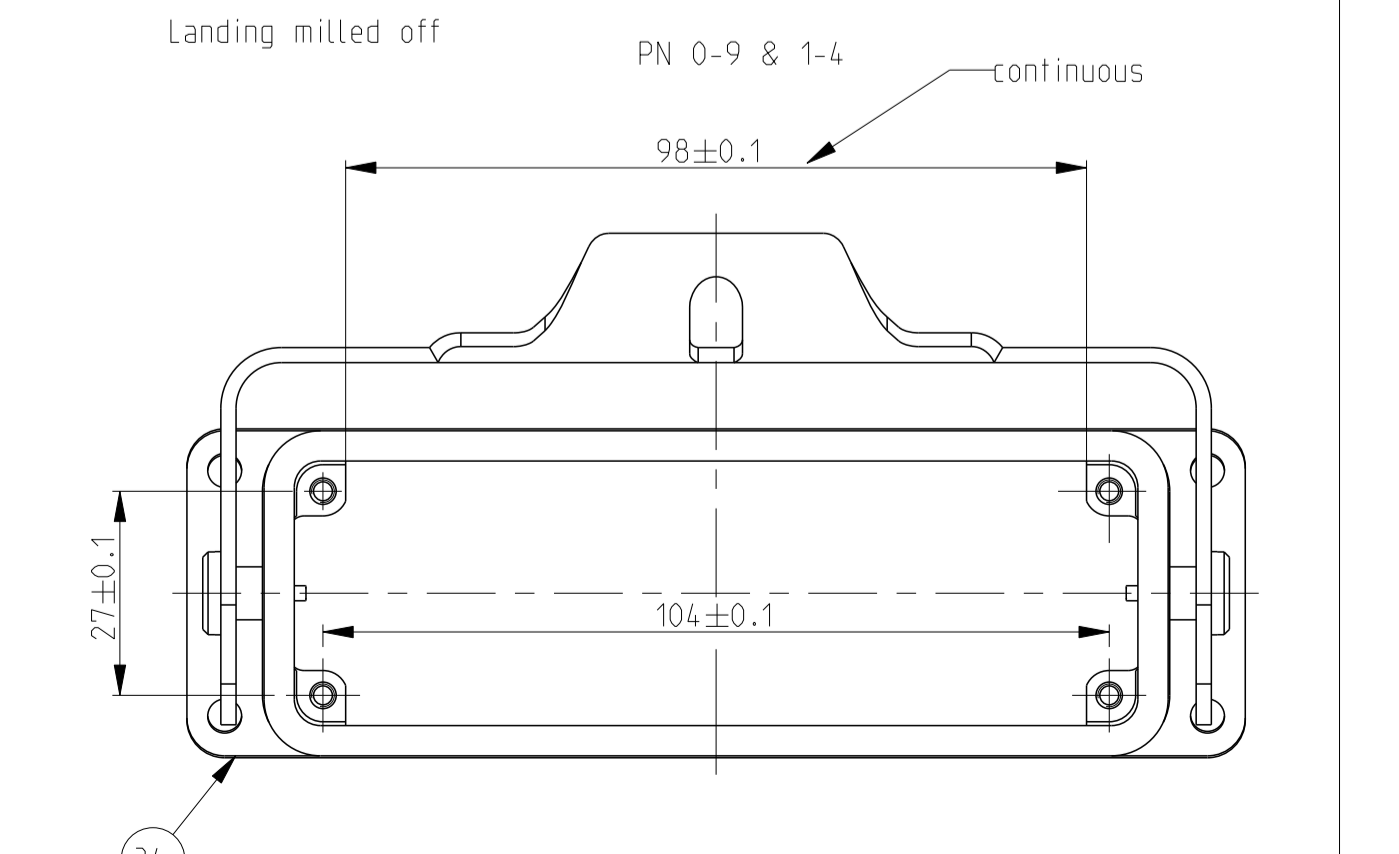
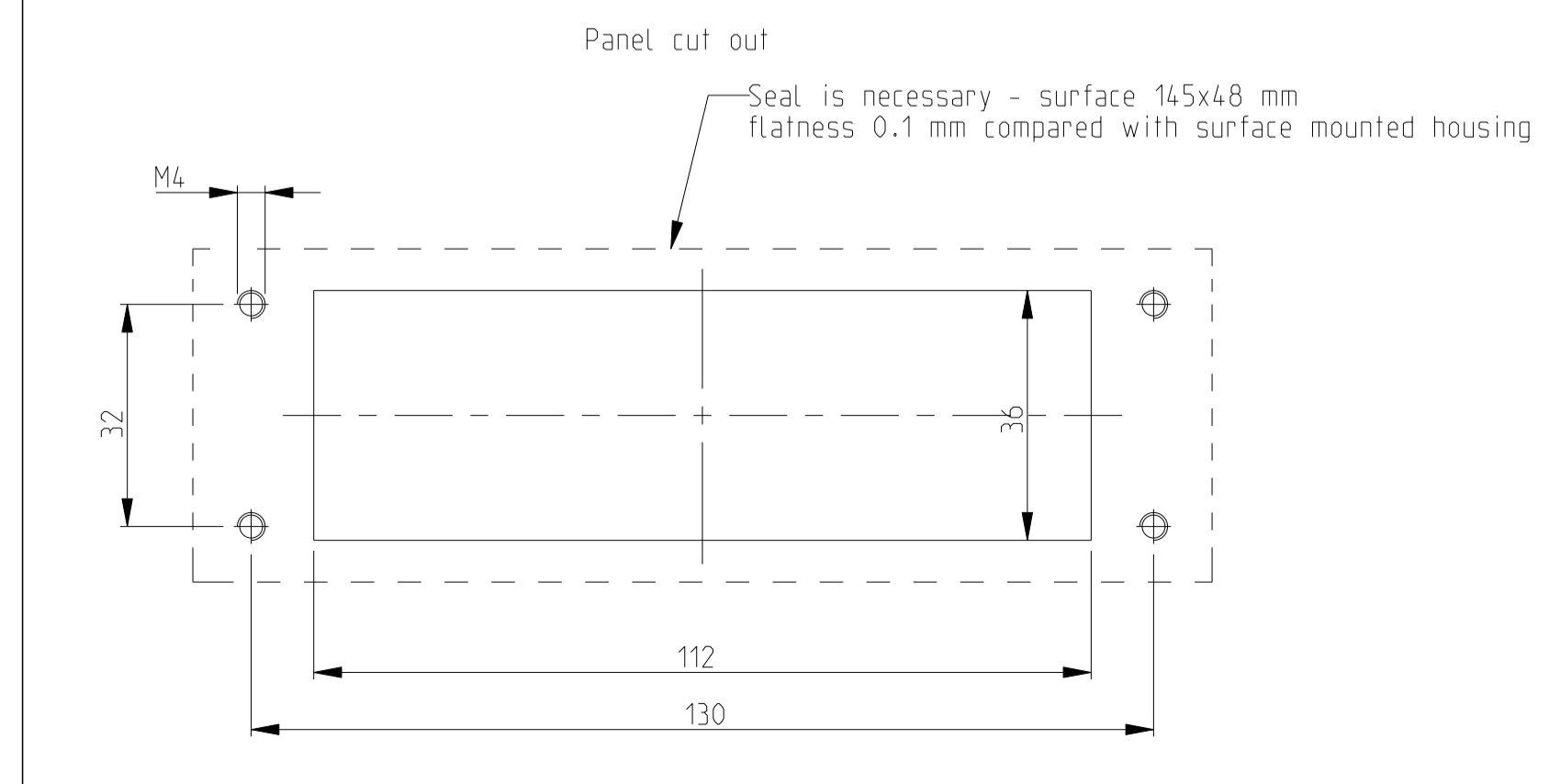
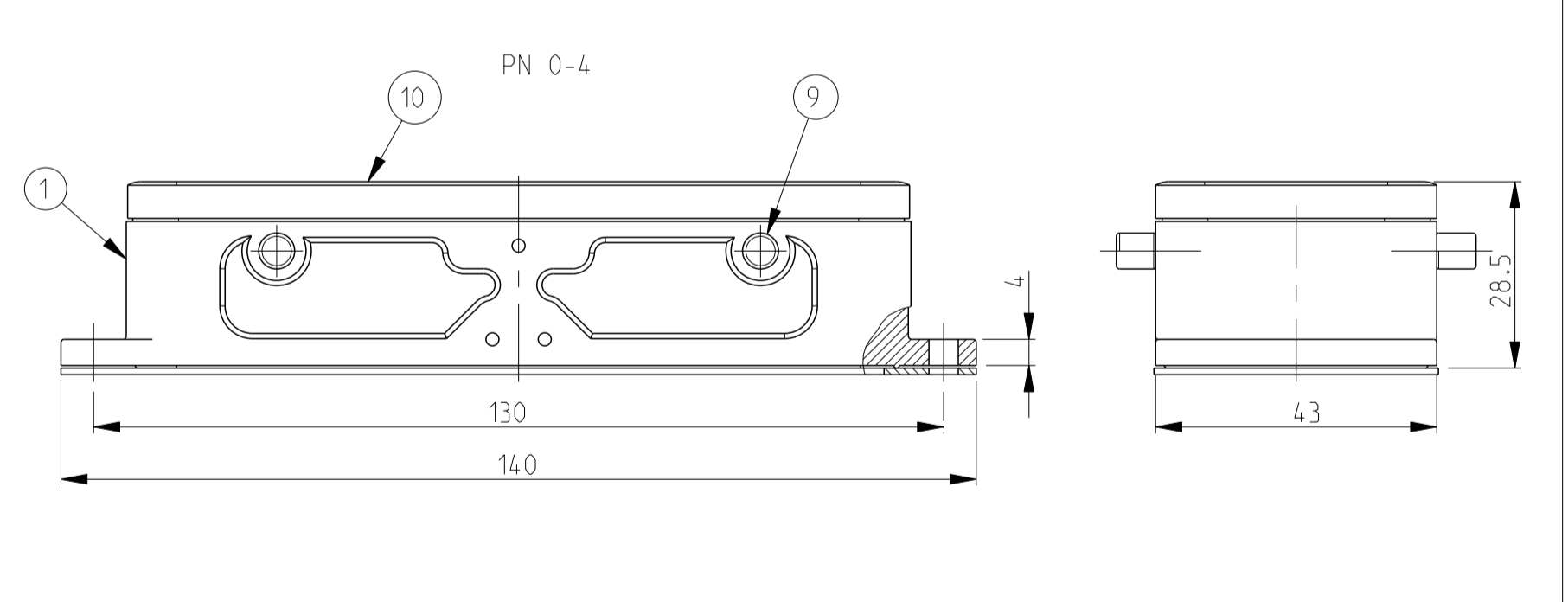
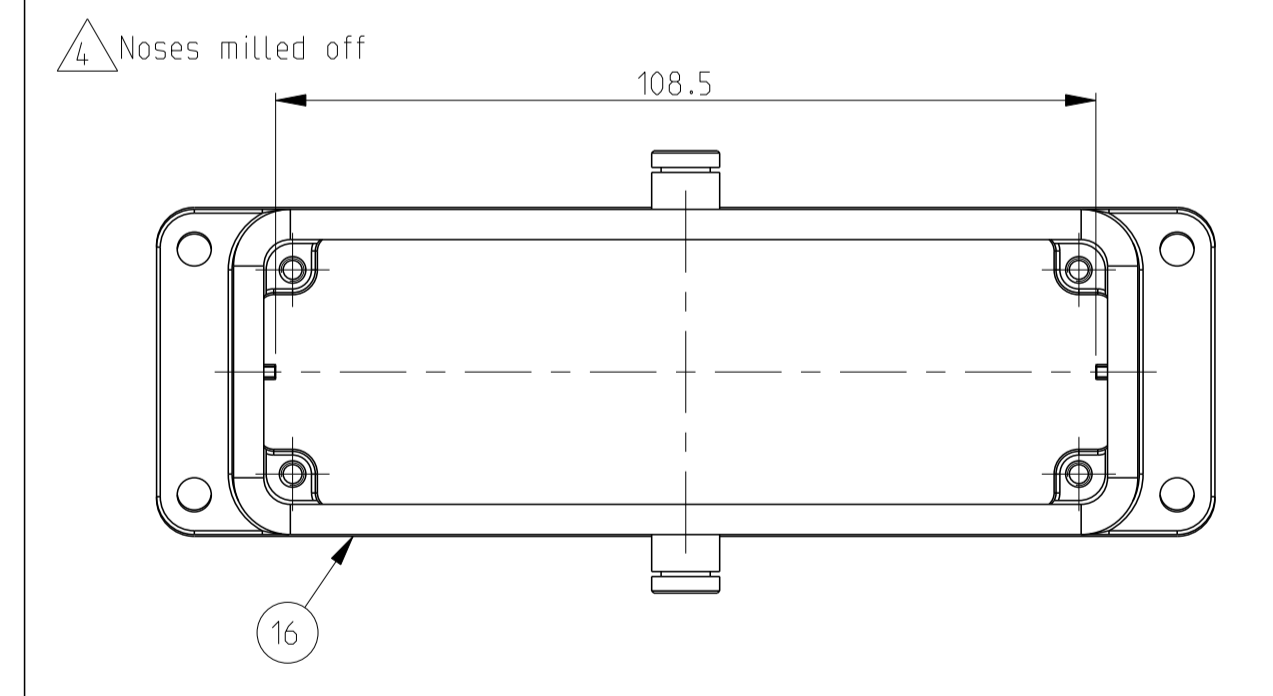
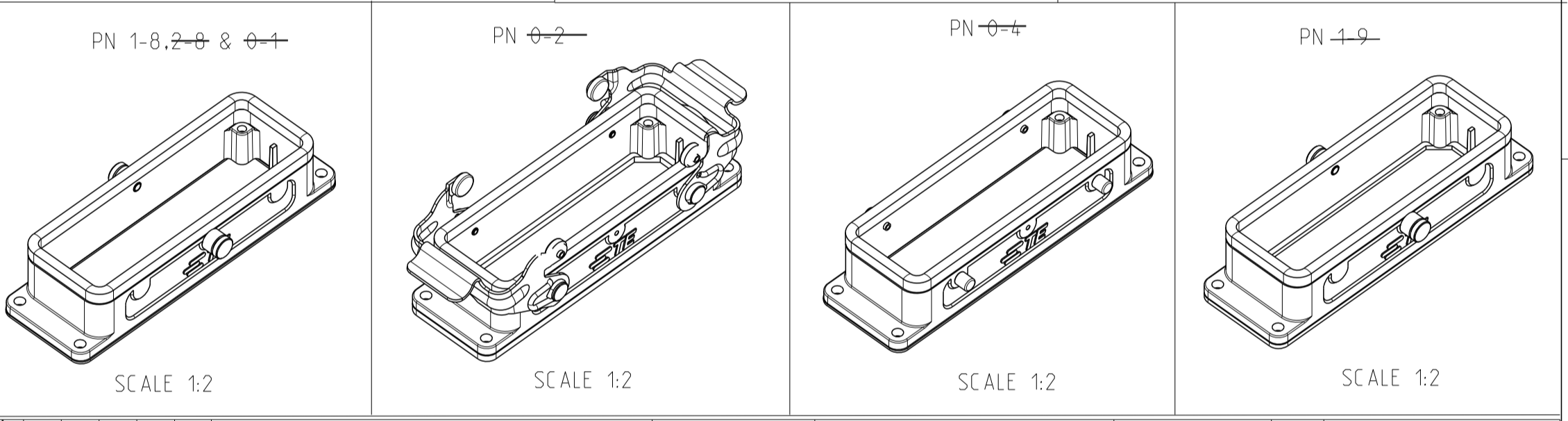
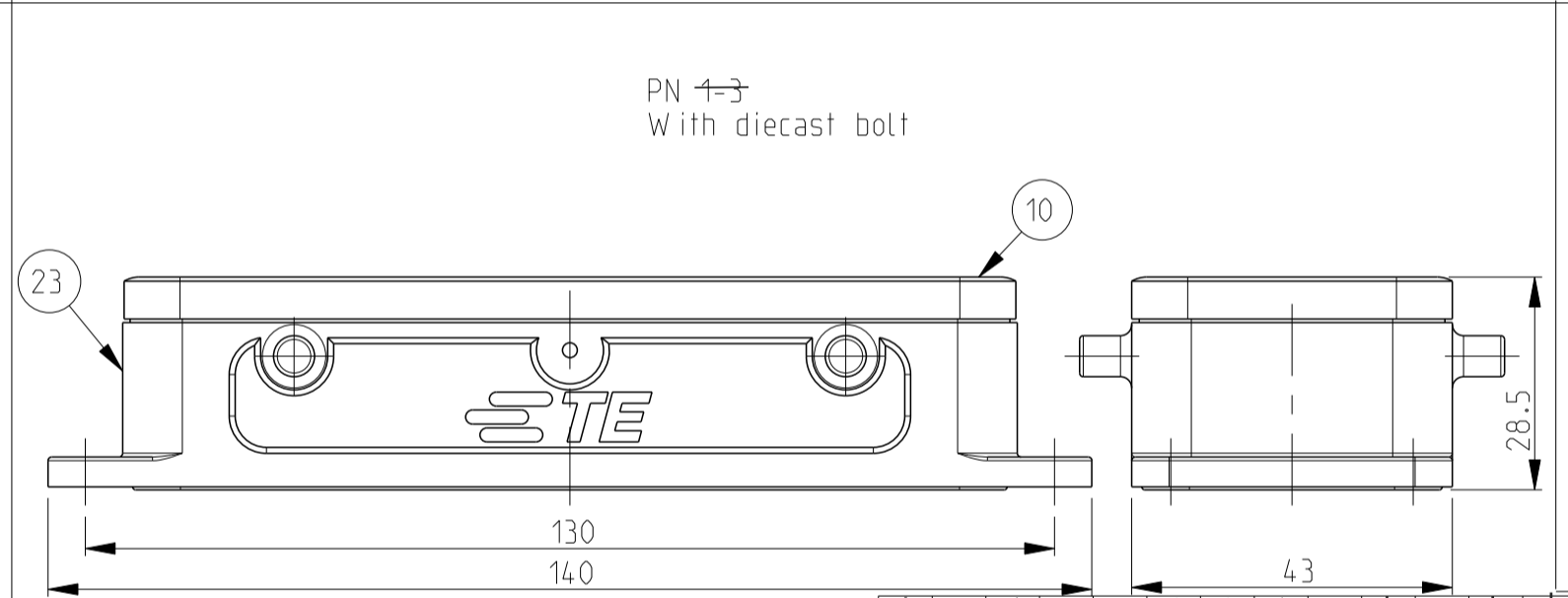
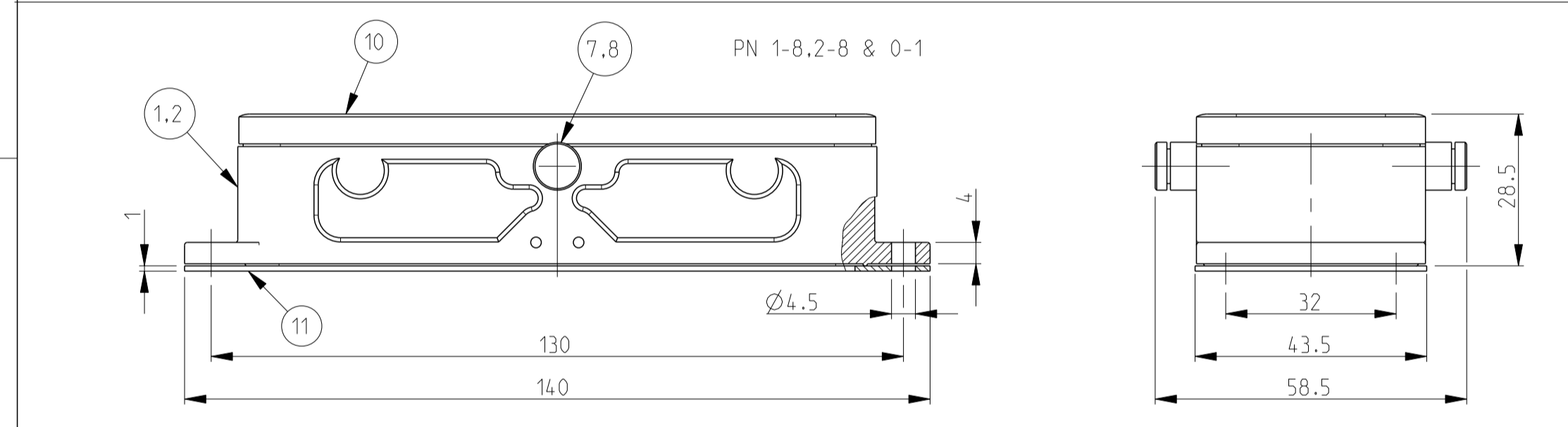
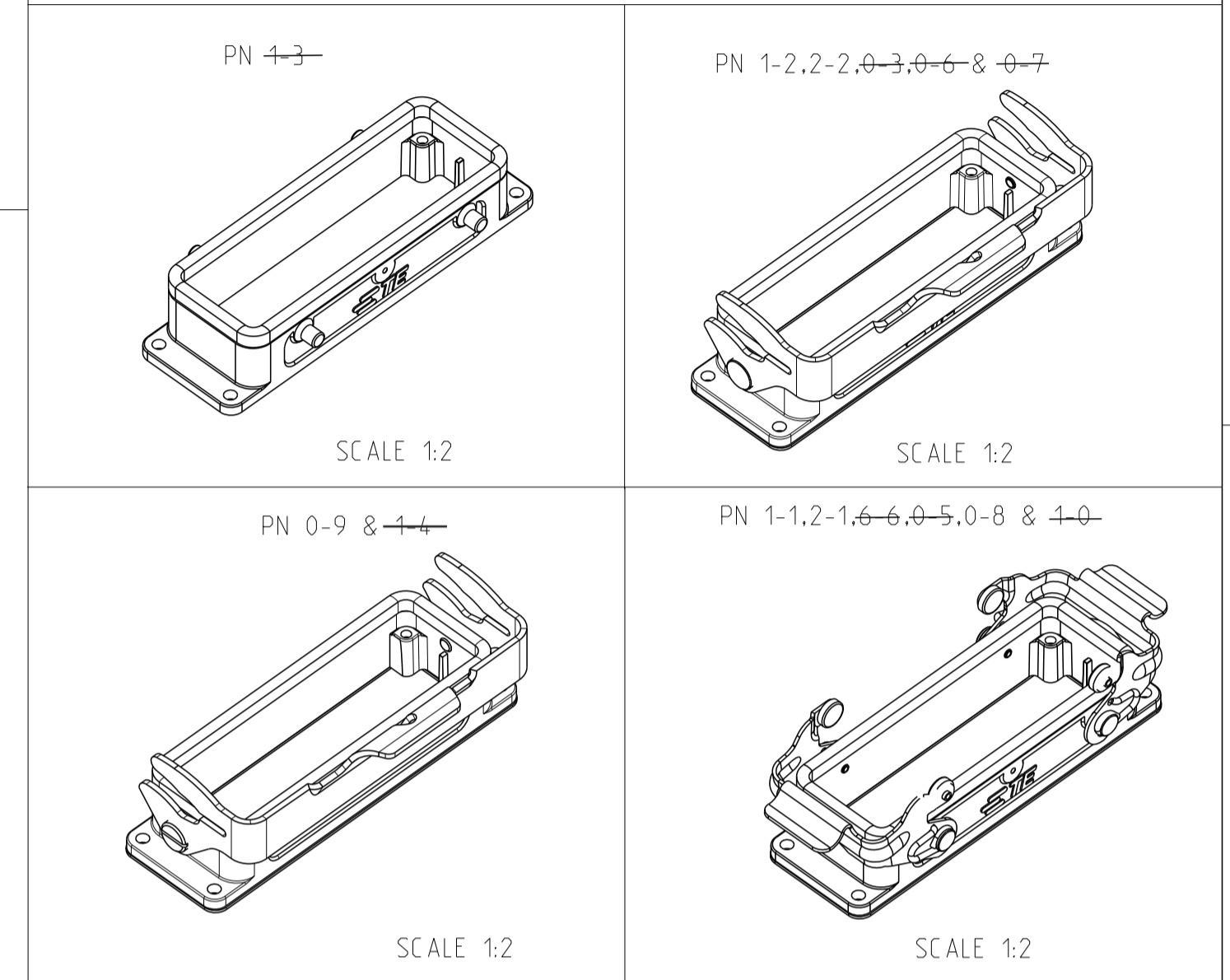
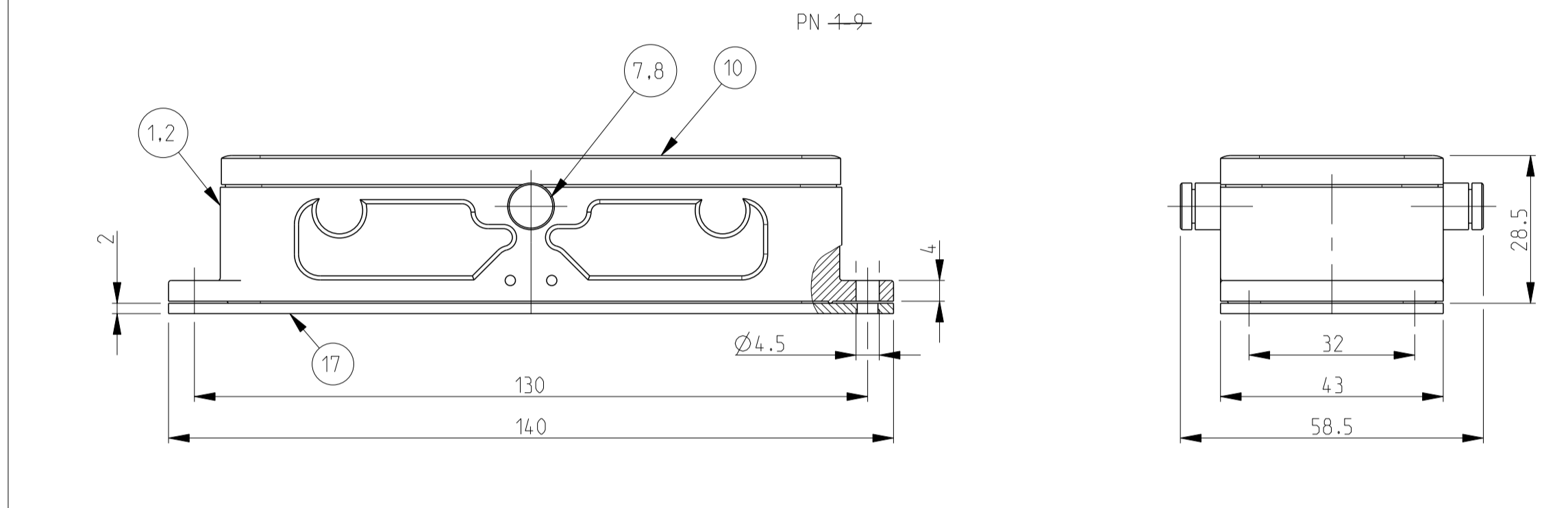
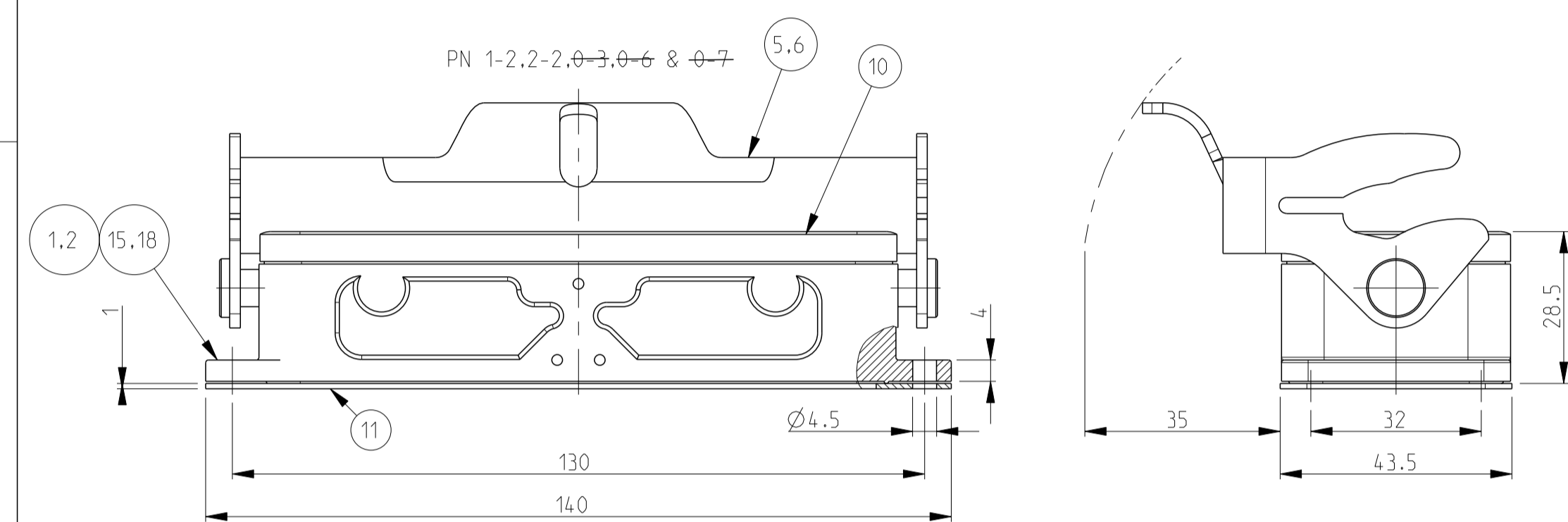
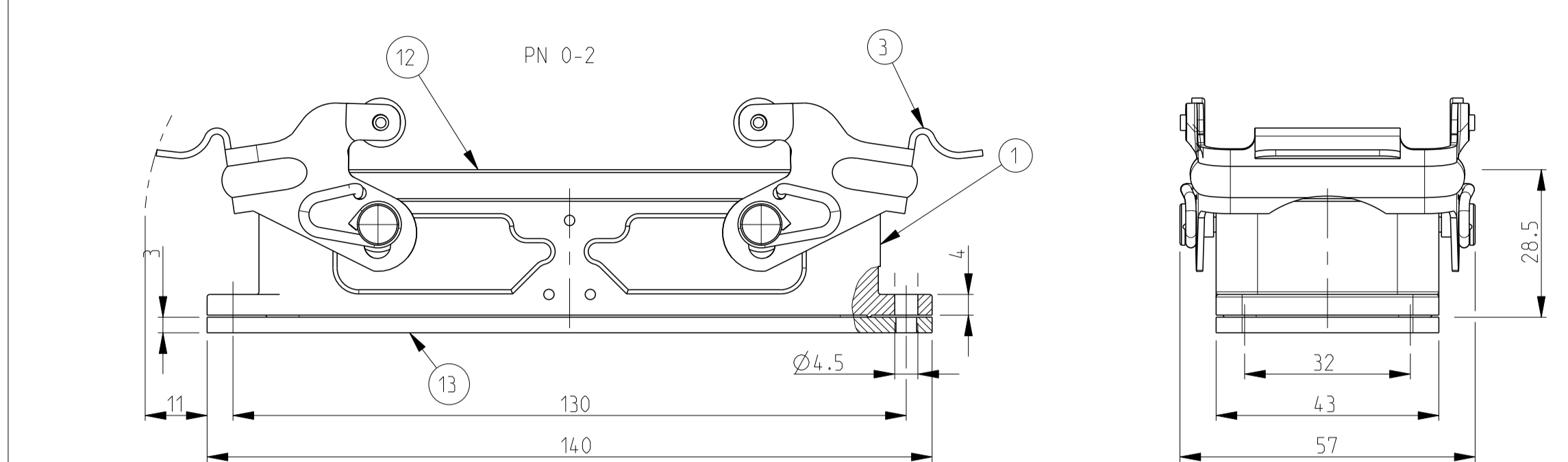
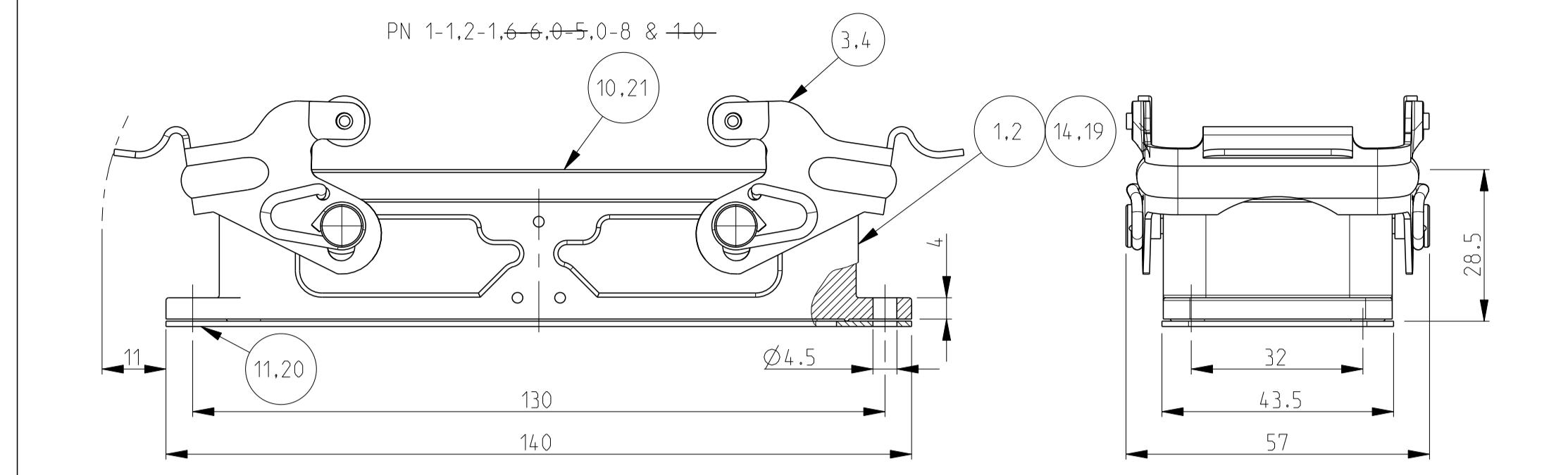


REVISIONS				
P	LTN	DESCRIPTION	DATE	OWN APVD
C	ECR-15-015721		18FEB2016	GCM JB
C1	ECR-16-015318		18AUG2017	GR MKO
C2	ECR-16-016768		15NOV2017	GR MKO
C3	ECR-17-014033		13MAR2018	SG MKO

- NOTES
- Material : Housing : aluminium die casting alloy
Seals : Neoprene : Viton
 - Surface : Varnish - Grey
- Aluminium oxide
- Varnish black
 - Varnish on the inside is not necessary
 - Packaging
Quantity 5 pieces in a box



ITEM NO	DESCRIPTION	MATERIAL	SURFACE	COLOR	ITEM NO	NOTES
1	Surface mounted housing side entry HB	Aluminium			23	With diecast bolt
2	Profile seal	Neoprene		Black	22	Conductive
3	Flange seal	Neoprene		Black	21	Conductive
4	Surface mounted housing side entry HB	Aluminium	Chromit AL TCP passivation	Black RAL9005	20	
5	Surface mounted housing side entry HB	Aluminium		Grey RAL7001	19	Neutral
6	Flange seal	Neoprene		Black	18	2 mm thick
7	Surface mounted housing side entry HB	Aluminium		Grey RAL7001	17	Noses milled off
8	Surface mounted housing side entry HB	Aluminium		Grey	16	Without TE indication
9	Surface mounted housing side entry HB-K	Aluminium	Aluminium oxide	Blank	15	
10	Surface mounted housing side entry HB	Aluminium		Grey RAL7001	14	Elecon-logo
11	Flanged seal	Viton		Black	13	
12	Profile seal	Viton		Light grey	12	3 mm thick
13	Flange seal	Neoprene		Black	11	1 mm thick
14	Profile seal	Neoprene		Black	10	
15	VS-Clip bolt	Steel	Zinc plated	Blue	9	
16	ZB-Clip bolt	Stainless steel		Blank	8	
17	ZB-Clip bolt	Steel	Zinc plated	Blue	7	
18	LB-Side clip	Stainless steel		Blank	6	
19	LB-Side clip	Steel	Zinc plated	Blue	5	
20	VS-Locking clip	Stainless steel		Blank	4	
21	VS-Locking clip	Steel	Zinc plated	Blue	3	
22	Surface mounted housing side entry HB-K	Aluminium	Aluminium oxide	Black RAL9005	2	
23	Surface mounted housing side entry HB	Aluminium		Grey RAL7001	1	

THIS DRAWING IS A CONTROLLED DOCUMENT. DWN: Schwieger 23.071997
 CHK: Kramer 26.06.1998

TE Connectivity

Surface mounted housing bottom entry assy HB.24

108-74001/74003

114-74001/74004/74005

00779

SCALE 1:1 SHEET 1 OF 1

X-ON Electronics

Largest Supplier of Electrical and Electronic Components

Click to view similar products for [Heavy Duty Power Connectors](#) category:

Click to view products by [TE Connectivity](#) manufacturer:

Other Similar products are found below :

[1424439](#) [1424438](#) [09330062652](#) [605601-1](#) [6340G1](#) [6341G1](#) [6360G1](#) [6373G1](#) [6374g2](#) [6396G1](#) [647757-1](#) [6643411-1](#) [6646058-2](#) [6646137-1](#)
[6646138-1](#) [6646348-1](#) [6646479-1](#) [6646608-1](#) [6646786-1](#) [6646940-1](#) [6651525-1](#) [6651529-1](#) [6651778-1](#) [6651788-1](#) [696465-1](#) [696475-1](#)
[73000005059](#) [73000005349](#) [73000005642](#) [73080965046](#) [765-15-0080A](#) [765-16-0080B](#) [789.700-44](#) [789.700-54](#) [80-1010](#) [80-9](#) [827381-1](#)
[829992-1](#) [902-77-02113](#) [PL00U-301-10D10](#) [PM103MOOLOO](#) [PM212MOOLOO](#) [PM309FOOLOO](#) [PM324FOOLCH](#) [PMHPAF11S03](#)
[PMHPAF14S01](#) [PMHPAM14P05](#) [PMHPAS06](#) [PMHPBF14S01](#) [PP45PC12S](#)