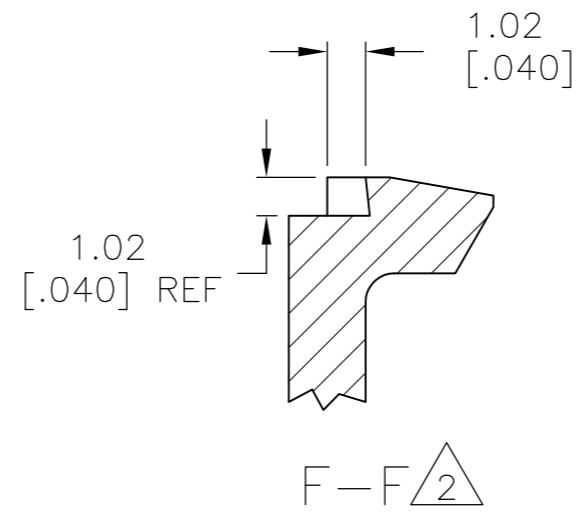
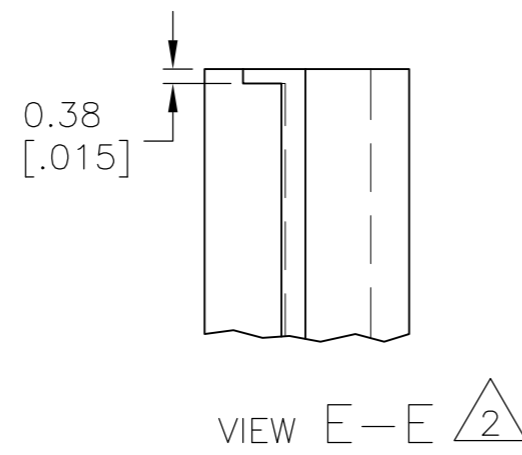
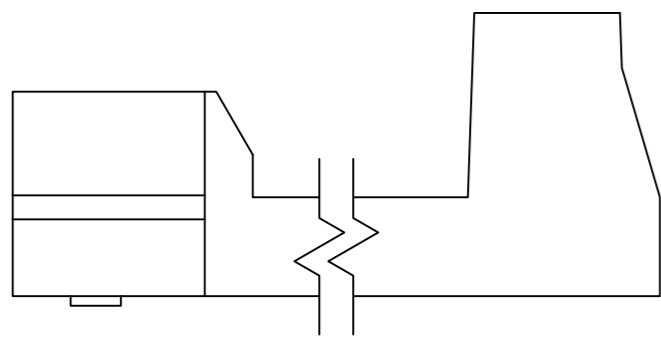
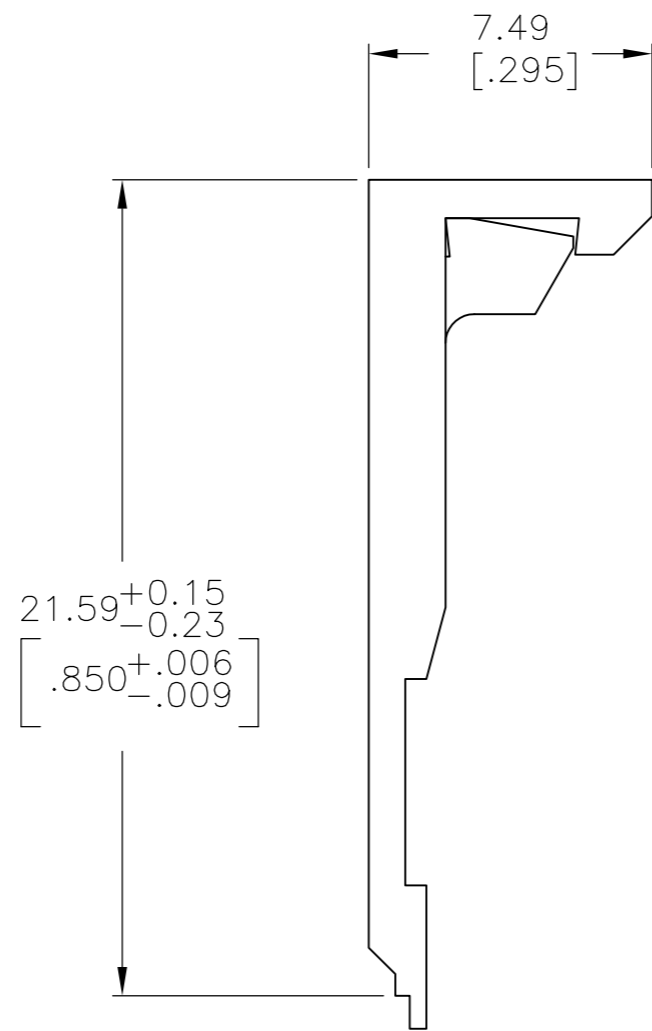
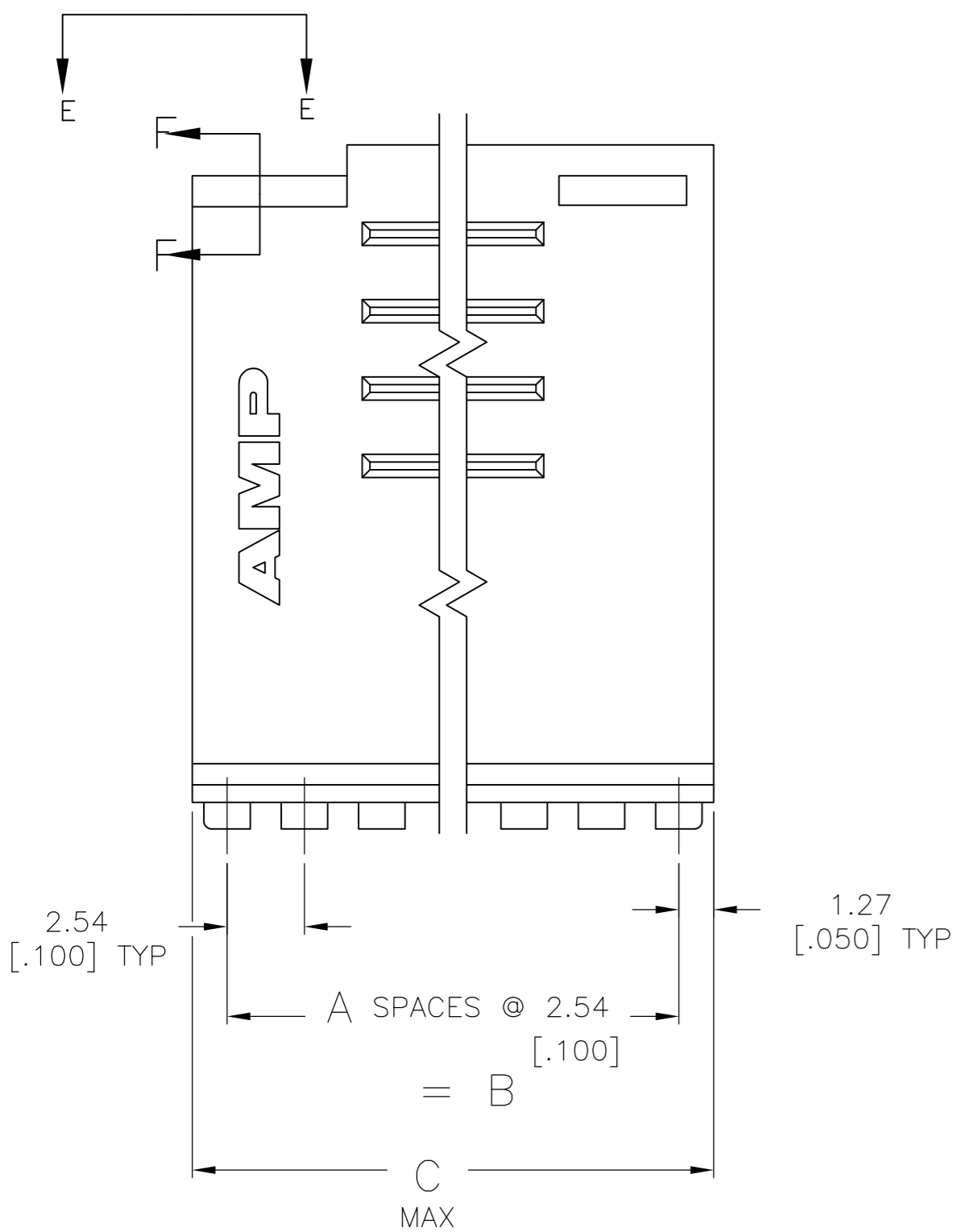


THIS DRAWING IS UNPUBLISHED. RELEASED FOR PUBLICATION
 © COPYRIGHT - By - ALL RIGHTS RESERVED.

LOC		DIST		REVISIONS			
P	LTR	DESCRIPTION		DATE	DWN	APVD	
AD	00	L	REVISED PER ECO-15-008006	17NOV2015	NK	MM	



- $\triangle 1$ THIS COVER IS TO BE USED IN PAIRS, WITH A DOUBLE ROW HOUSING. NUMBER OF POSITIONS INDICATED PERTAINS TO THE HOUSING.
- $\triangle 2$ THESE VIEWS APPLY TO -1 AND -2 ONLY.



OBSOLETE	91.44	[3.600]	88.90	[3.500]	35	72	3-102396-4
OBSOLETE	88.90	[3.500]	86.36	[3.400]	34	70	3-102396-3
OBSOLETE	86.36	[3.400]	83.82	[3.300]	33	68	3-102396-2
OBSOLETE	83.82	[3.300]	81.28	[3.200]	32	66	3-102396-1
	81.28	[3.200]	78.74	[3.100]	31	64	3-102396-0
OBSOLETE	78.74	[3.100]	76.20	[3.000]	30	62	2-102396-9
	76.20	[3.000]	73.66	[2.900]	29	60	2-102396-8
OBSOLETE	73.66	[2.900]	71.12	[2.800]	28	58	2-102396-7
OBSOLETE	71.12	[2.800]	68.58	[2.700]	27	56	2-102396-6
OBSOLETE	68.58	[2.700]	66.04	[2.600]	26	54	2-102396-5
OBSOLETE	66.04	[2.600]	63.50	[2.500]	25	52	2-102396-4
	63.50	[2.500]	60.96	[2.400]	24	50	2-102396-3
OBSOLETE	60.96	[2.400]	58.42	[2.300]	23	48	2-102396-2
OBSOLETE	58.42	[2.300]	55.88	[2.200]	22	46	2-102396-1
OBSOLETE	55.88	[2.200]	53.34	[2.100]	21	44	2-102396-0
OBSOLETE	53.34	[2.100]	50.80	[2.000]	20	42	1-102396-9
	50.80	[2.000]	48.26	[1.900]	19	40	1-102396-8
OBSOLETE	48.26	[1.900]	45.72	[1.800]	18	38	1-102396-7
OBSOLETE	45.72	[1.800]	43.18	[1.700]	17	36	1-102396-6
	43.18	[1.700]	40.64	[1.600]	16	34	1-102396-5
	40.64	[1.600]	38.10	[1.500]	15	32	1-102396-4
	38.10	[1.500]	35.56	[1.400]	14	30	1-102396-3
	35.56	[1.400]	33.02	[1.300]	13	28	1-102396-2
	33.02	[1.300]	30.48	[1.200]	12	26	1-102396-1
	30.48	[1.200]	27.94	[1.100]	11	24	1-102396-0
	27.94	[1.100]	25.40	[1.000]	10	22	102396-9
	25.40	[1.000]	22.86	[.900]	9	20	102396-8
	22.86	[.900]	20.32	[.800]	8	18	102396-7
	20.32	[.800]	17.78	[.700]	7	16	102396-6
	17.78	[.700]	15.24	[.600]	6	14	102396-5
	15.24	[.600]	12.70	[.500]	5	12	102396-4
	12.70	[.500]	10.16	[.400]	4	10	102396-3
	10.16	[.400]	7.62	[.300]	3	8	102396-2
	7.62	[.300]	5.08	[.200]	2	6	102396-1
	C	B	A	REF $\triangle 1$	PART NUMBER		
COVER DIMENSIONS				NO OF POSN			

THIS DRAWING IS A CONTROLLED DOCUMENT.

DWN E. BRANDBERG 13SEP94		COVER	
CHK J. HERRINGTON 13SEP94		MASS TERMINATION AMPMODU	
APVD J. HERRINGTON 13SEP94		2.54 [.100] CL	
PRODUCT SPEC		SIZE	CAGE CODE
APPLICATION SPEC	A2	00779	C=102396
MATERIAL FLAME RETARDANT THERMOPLASTIC, COLOR - BLACK	WEIGHT	RESTRICTED TO	
FINISH	-	SCALE	5:1
	CUSTOMER DRAWING	SHEET	1 OF 1
		REV	L

X-ON Electronics

Largest Supplier of Electrical and Electronic Components

Click to view similar products for [Headers & Wire Housings](#) category:

Click to view products by [TE Connectivity](#) manufacturer:

Other Similar products are found below :

[892-18-020-10-001101](#) [58102-G61-06LF](#) [582553-1](#) [0009485154](#) [009176003701906](#) [0050291907](#) [LY20-4P-DT1-P1E-BR](#) [02.125.8002.8](#)
[609-3404](#) [61062-3](#) [61082-181009](#) [622-3653LF](#) [63453-116](#) [636-1030](#) [636-1427](#) [636-3427](#) [636-4007](#) [641938-9](#) [641991-4](#) [644827-2](#) [65817-](#)
[010LF](#) [65817-015LF](#) [65863-015LF](#) [66207-023LF](#) [67095-007LF](#) [67601157](#) [68645-018](#) [68648-049](#) [70.362.1628.0](#) [70-4210](#) [70-4226B](#) [70-](#)
[4853B](#) [707-5020](#) [707-5028](#) [71.350.2428.0](#) [71918-208LF](#) [71961-016LF](#) [733-134](#) [733-162](#) [754199-000](#) [760-3052](#) [79531-3000](#) [FCN-](#)
[360C032-B](#) [FCN-367T-T012/H](#) [FCN-723D010/2](#) [80.063.4001.1](#) [800-90-010-10-002000](#) [801-43-002-10-013000](#) [801-43-006-10-002000](#)
[801-93-011-10-001000](#)