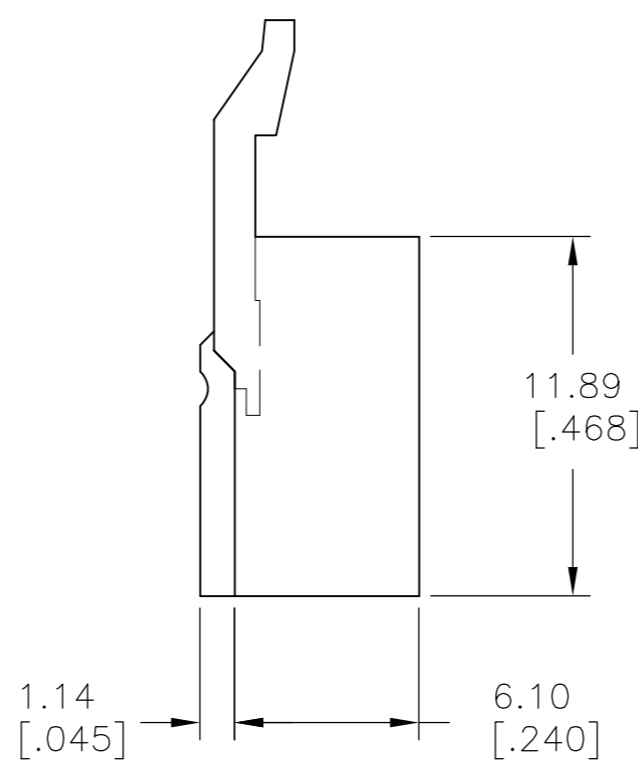
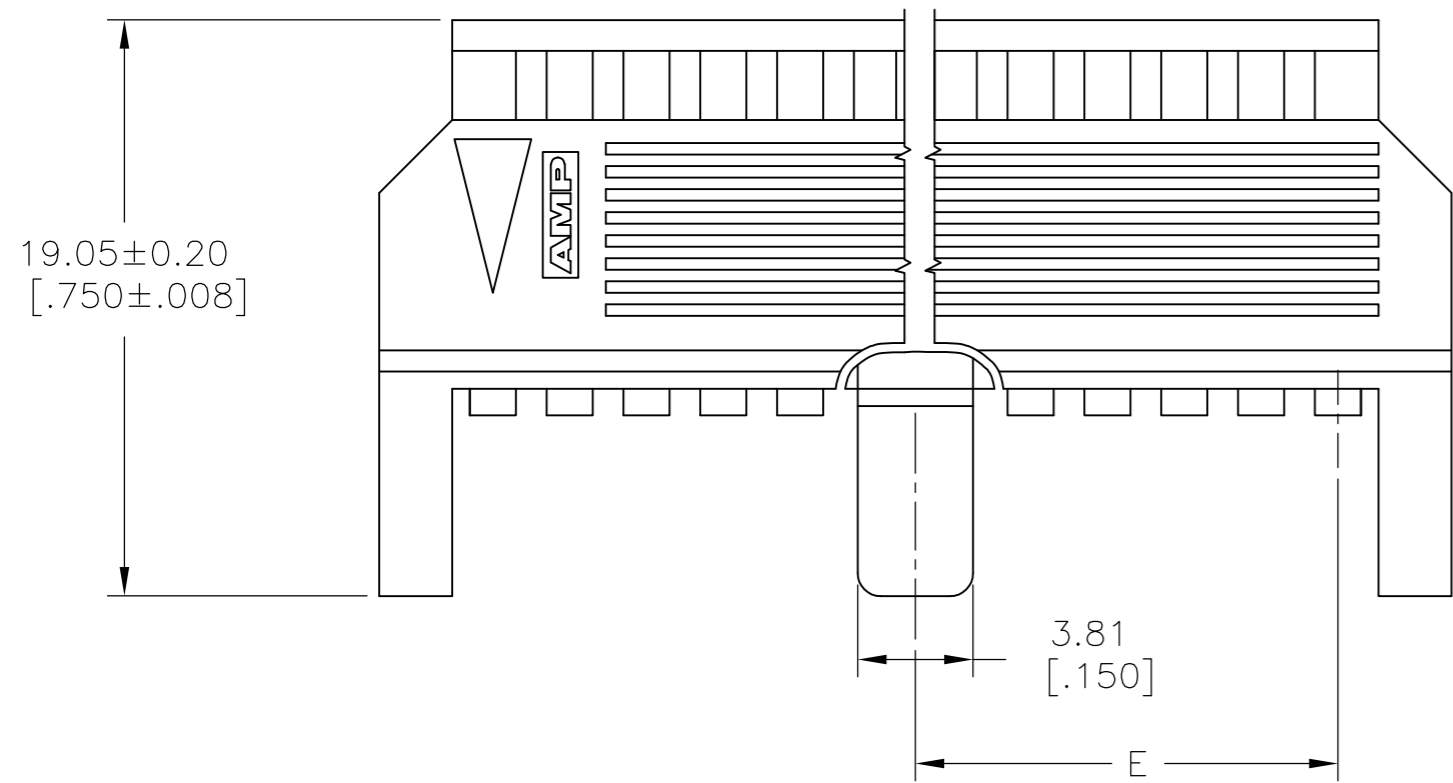
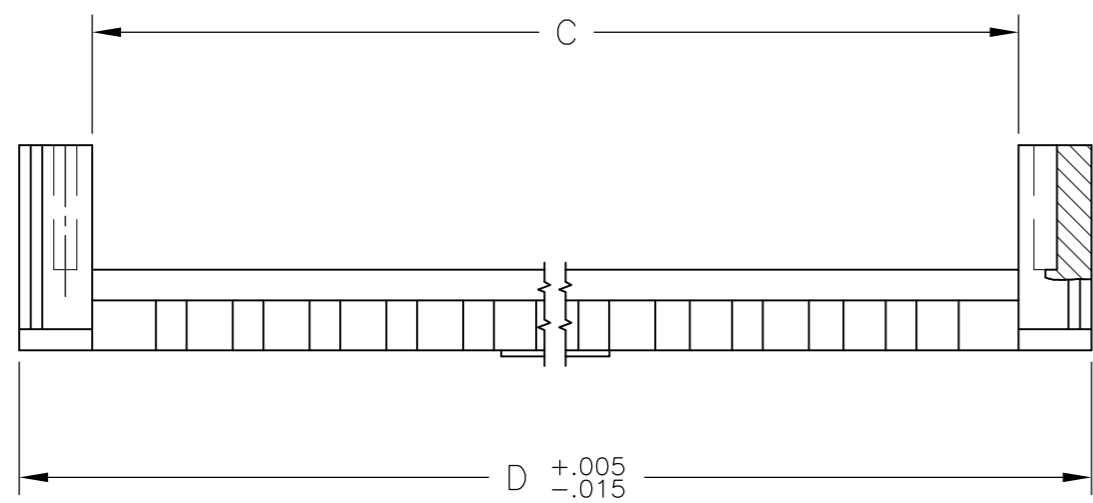
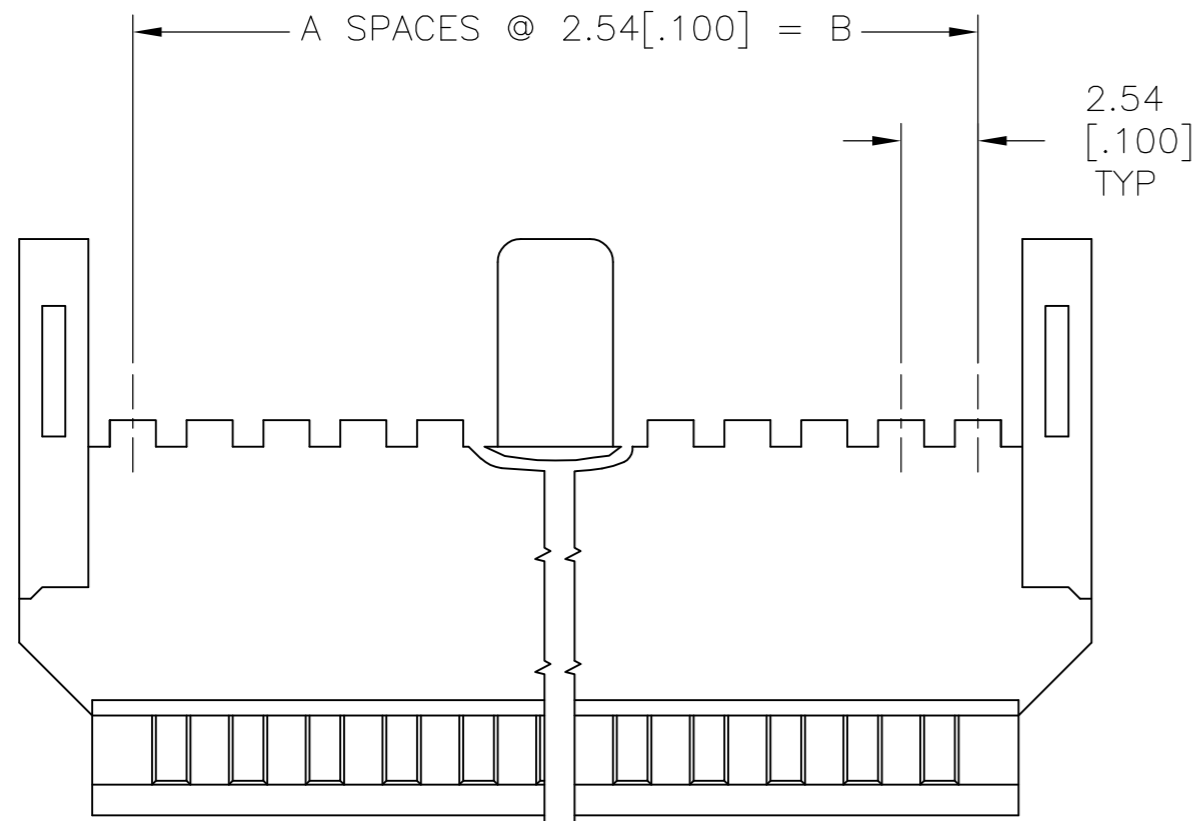


THIS DRAWING IS UNPUBLISHED. RELEASED FOR PUBLICATION
 © COPYRIGHT - By - ALL RIGHTS RESERVED.

| LOC | | DIST | | REVISIONS | | | |
|-----|-----|-------------|--|---------------------------|-----------|------|----|
| P | LTR | DESCRIPTION | | DATE | DWN | APVD | |
| AD | 39 | J | | REVISED PER ECO-15-008006 | 17NOV2015 | NK | MM |



- 1 NO. OF POSITIONS INDICATED PERTAINS TO THE HOUSING.
- 2 THIS COVER IS TO BE USED WITH 102536.
- 3 NO CENTER PART ON THIS PART.
- 4 OBSOLETE PART NUMBER.
- 5 MATERIAL: FLAME RETARDANT THERMOPLASTIC, COLOR-BLACK.

| | | | | | | | | | |
|---------------|---------------|---------------|---------------|----|--------|------------|-------------|--------|---|
| 44.45 [1.750] | 96.42 [3.796] | 91.59 [3.606] | 88.90 [3.500] | 35 | 72 | 4 | 3 | 102537 | 4 |
| 43.18 [1.700] | 93.88 [3.696] | 89.05 [3.506] | 86.36 [3.400] | 34 | 70 | 4 | 3 | 102537 | 3 |
| 41.91 [1.650] | 91.34 [3.596] | 86.51 [3.406] | 83.82 [3.300] | 33 | 68 | 4 | 3 | 102537 | 2 |
| 40.64 [1.600] | 88.79 [3.496] | 83.97 [3.306] | 81.28 [3.200] | 32 | 66 | 4 | 3 | 102537 | 1 |
| 39.37 [1.550] | 86.26 [3.396] | 81.43 [3.206] | 78.74 [3.100] | 31 | 64 | | 3 | 102537 | 0 |
| 38.10 [1.500] | 83.72 [3.296] | 78.89 [3.106] | 76.20 [3.000] | 30 | 62 | 4 | 2 | 102537 | 9 |
| 36.83 [1.450] | 81.18 [3.196] | 76.35 [3.006] | 73.66 [2.900] | 29 | 60 | | 2 | 102537 | 8 |
| 35.56 [1.400] | 78.63 [3.096] | 78.81 [2.906] | 71.12 [2.800] | 28 | 58 | 4 | 2 | 102537 | 7 |
| 34.29 [1.350] | 76.09 [2.996] | 71.27 [2.806] | 68.58 [2.700] | 27 | 56 | 4 | 2 | 102537 | 6 |
| 33.02 [1.300] | 73.55 [2.896] | 68.73 [2.706] | 66.04 [2.600] | 26 | 54 | 4 | 2 | 102537 | 5 |
| 31.75 [1.250] | 71.01 [2.796] | 66.19 [2.606] | 63.50 [2.500] | 25 | 52 | 4 | 2 | 102537 | 4 |
| 30.48 [1.200] | 68.48 [2.696] | 63.65 [2.506] | 60.96 [2.400] | 24 | 50 | | 2 | 102537 | 3 |
| 29.91 [1.150] | 65.94 [2.596] | 61.11 [2.406] | 58.42 [2.300] | 23 | 48 | 4 | 2 | 102537 | 2 |
| 27.94 [1.100] | 63.39 [2.496] | 58.57 [2.306] | 55.88 [2.200] | 22 | 46 | 4 | 2 | 102537 | 1 |
| 26.67 [1.050] | 60.85 [2.396] | 56.03 [2.206] | 53.34 [2.100] | 21 | 44 | 4 | 2 | 102537 | 0 |
| 25.40 [1.000] | 58.31 [2.296] | 53.49 [2.106] | 50.80 [2.000] | 20 | 42 | 4 | 1 | 102537 | 9 |
| 24.13 [.950] | 55.78 [2.196] | 50.95 [2.006] | 48.26 [1.900] | 19 | 40 | | 1 | 102537 | 8 |
| 22.86 [.900] | 53.24 [2.096] | 48.41 [1.906] | 45.72 [1.800] | 18 | 38 | 4 | 1 | 102537 | 7 |
| 21.59 [.850] | 50.69 [1.996] | 45.87 [1.806] | 43.18 [1.700] | 17 | 36 | 4 | 1 | 102537 | 6 |
| 20.32 [.800] | 48.15 [1.896] | 43.33 [1.706] | 40.64 [1.600] | 16 | 34 | | 1 | 102537 | 5 |
| 19.05 [.750] | 45.62 [1.796] | 40.79 [1.606] | 38.10 [1.500] | 15 | 32 | | 1 | 102537 | 4 |
| 17.78 [.700] | 43.07 [1.696] | 38.25 [1.506] | 35.56 [1.400] | 14 | 30 | | 1 | 102537 | 3 |
| 16.51 [.650] | 40.53 [1.596] | 35.71 [1.406] | 33.02 [1.300] | 13 | 28 | | 1 | 102537 | 2 |
| 15.24 [.600] | 37.99 [1.496] | 33.17 [1.306] | 30.48 [1.200] | 12 | 26 | | 1 | 102537 | 1 |
| 13.97 [.550] | 35.45 [1.396] | 30.63 [1.206] | 27.94 [1.100] | 11 | 24 | | 1 | 102537 | 0 |
| 12.70 [.500] | 32.92 [1.296] | 28.09 [1.106] | 25.40 [1.000] | 10 | 22 | | | 102537 | 9 |
| 11.43 [.450] | 30.38 [1.196] | 25.55 [1.006] | 22.86 [.900] | 9 | 20 | | | 102537 | 8 |
| 10.16 [.400] | 27.84 [1.096] | 23.01 [.906] | 20.32 [.800] | 8 | 18 | | | 102537 | 7 |
| 8.89 [.350] | 25.29 [.996] | 20.47 [.806] | 17.78 [.700] | 7 | 16 | | | 102537 | 6 |
| 7.62 [.300] | 22.76 [.896] | 17.93 [.706] | 15.24 [.600] | 6 | 14 | | | 102537 | 5 |
| 6.35 [.250] | 20.22 [.796] | 15.39 [.606] | 12.70 [.500] | 5 | 12 | | | 102537 | 4 |
| 5.08 [.200] | 17.68 [.696] | 12.85 [.506] | 10.16 [.400] | 4 | 10 | | | 102537 | 3 |
| 3 | 15.14 [.596] | 10.31 [.406] | 7.62 [.300] | 3 | 8 | | | 102537 | 2 |
| 3 | 12.59 [.496] | 7.77 [.306] | 5.08 [.200] | 2 | 6 | | | 102537 | 1 |
| E | D | C | B | A | REF. 1 | NO OF POSN | PART NUMBER | | |

COVER DIMENSIONS

| | | | | | |
|--|--|------------------|---------|-----------------|--|
| THIS DRAWING IS A CONTROLLED DOCUMENT. | | DWN | 06MAR09 | RAGHAVENDRA | |
| DIMENSIONS: | | CHK | 06MAR09 | JEFFREY GESFORD | |
| mm [INCHES] | | APVD | 06MAR09 | JEFFREY GESFORD | |
| TOLERANCES UNLESS OTHERWISE SPECIFIED: | | PRODUCT SPEC | | | |
| 0 PLC ± - | | APPLICATION SPEC | | | |
| 1 PLC ± - | | WEIGHT | | | |
| 2 PLC ± - | | CUSTOMER DRAWING | | | |
| 3 PLC ± 0.13 [.005] | | SIZE | | A2 | |
| 4 PLC ± - | | CAGE CODE | | 00779 | |
| ANGLES ± - | | DRAWING NO | | C=102537 | |
| FINISH | | SCALE | | 4:1 | |
| 5 | | SHEET | | 1 of 1 | |
| | | REV | | J | |

TE TE Connectivity

COVER - HALF, LOW PROFILE
 MASS TERMINATION AMPMODU,
 .100CL, CENTER BAR POLARIZATION

X-ON Electronics

Largest Supplier of Electrical and Electronic Components

Click to view similar products for [Headers & Wire Housings](#) category:

Click to view products by [TE Connectivity](#) manufacturer:

Other Similar products are found below :

[892-18-020-10-001101](#) [58102-G61-06LF](#) [582553-1](#) [0009485154](#) [009176003701906](#) [0050291907](#) [LY20-4P-DT1-P1E-BR](#) [02.125.8002.8](#)
[609-3404](#) [61062-3](#) [61082-181009](#) [622-3653LF](#) [63453-116](#) [636-1030](#) [636-1427](#) [636-3427](#) [636-4007](#) [641938-9](#) [641991-4](#) [644827-2](#) [65817-010LF](#) [65817-015LF](#) [65863-015LF](#) [66207-023LF](#) [67095-007LF](#) [67601157](#) [68645-018](#) [68648-049](#) [70.362.1628.0](#) [70-4210](#) [70-4226B](#) [70-4853B](#) [707-5020](#) [707-5028](#) [71.350.2428.0](#) [71918-208LF](#) [71961-016LF](#) [733-134](#) [733-162](#) [754199-000](#) [760-3052](#) [787-8014-00](#) [79531-3000](#)
[FCN-360C032-B](#) [FCN-367T-T012/H](#) [FCN-723D010/2](#) [80.063.4001.1](#) [800-90-001-10-001000](#) [800-90-010-10-002000](#) [801-43-002-10-013000](#)