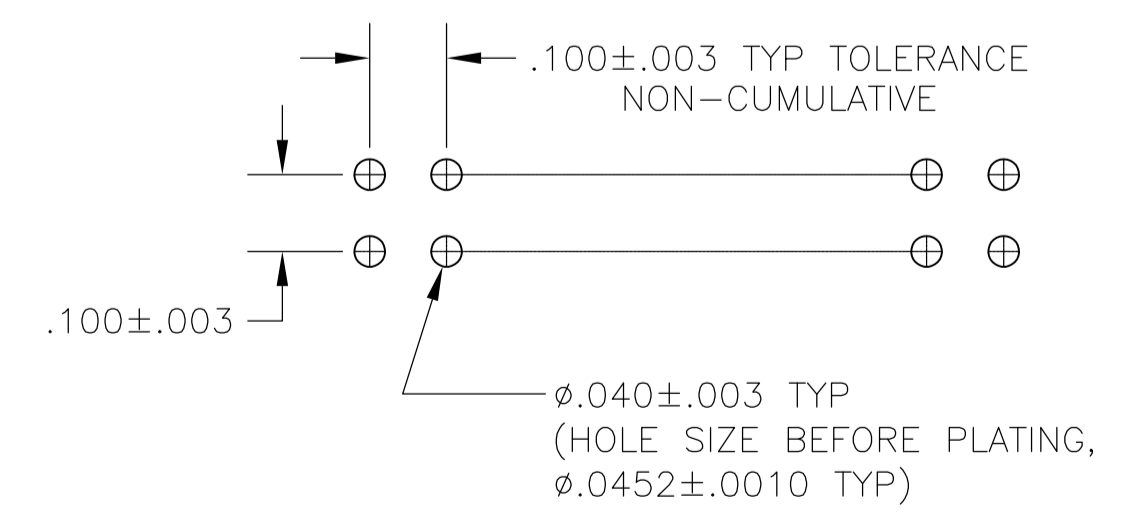
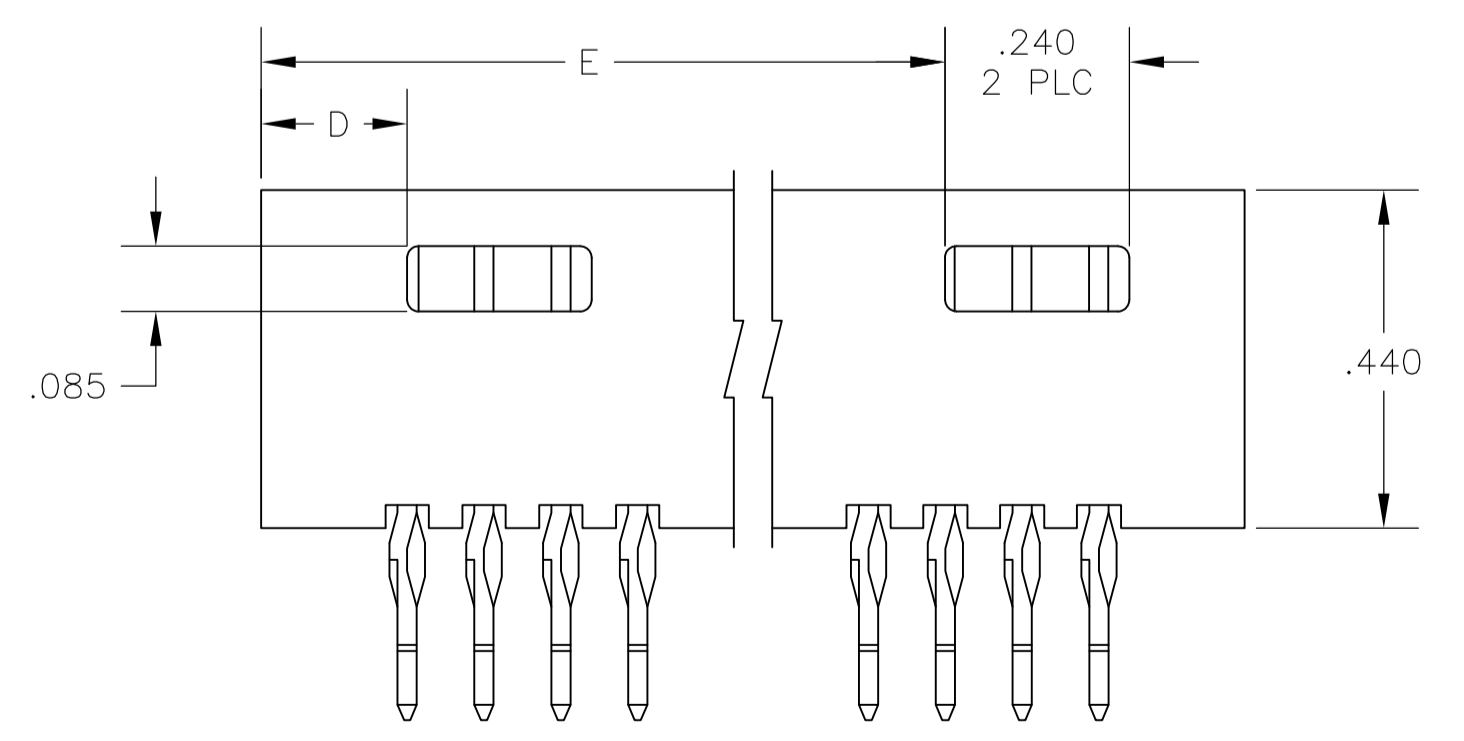
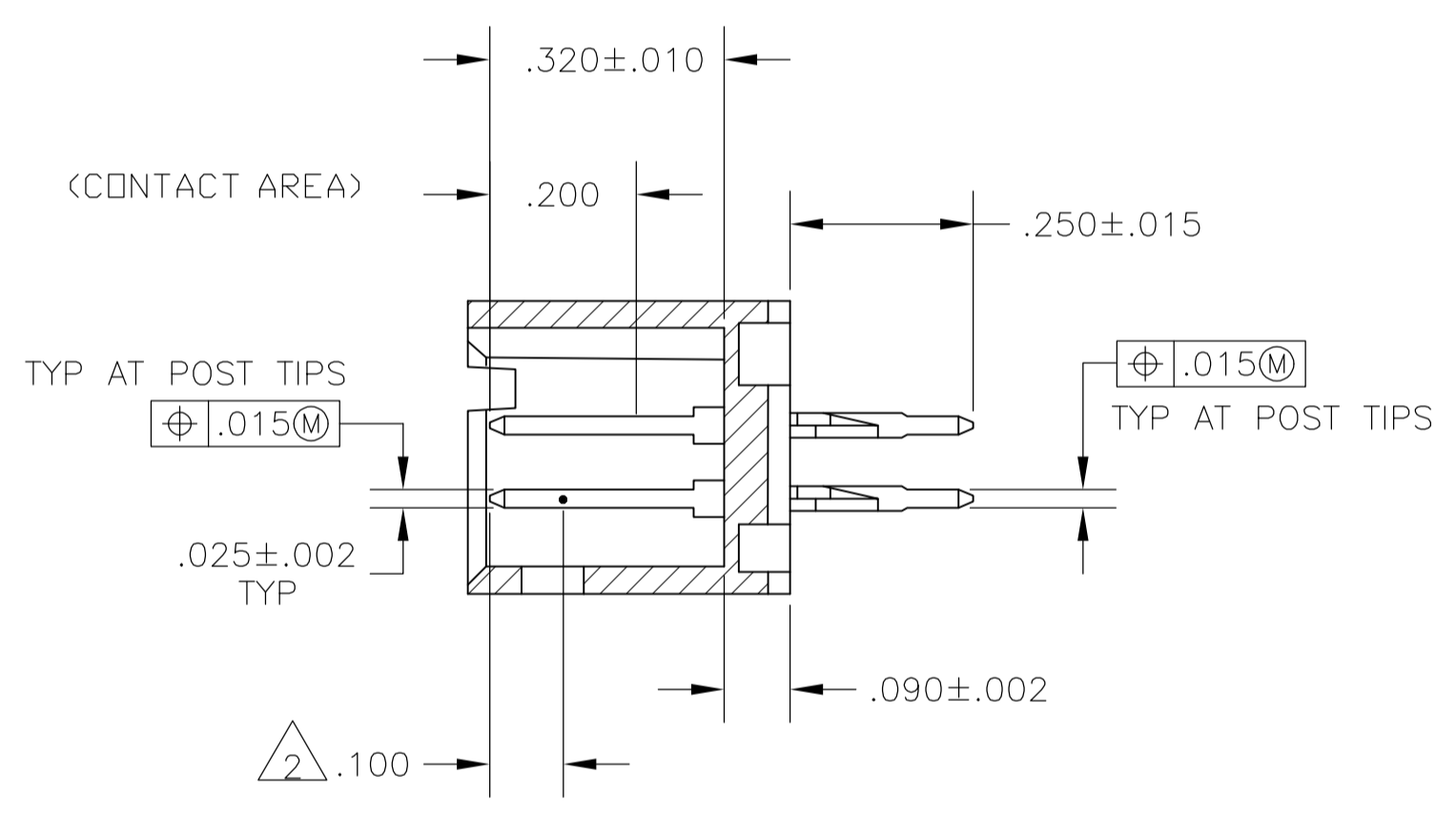
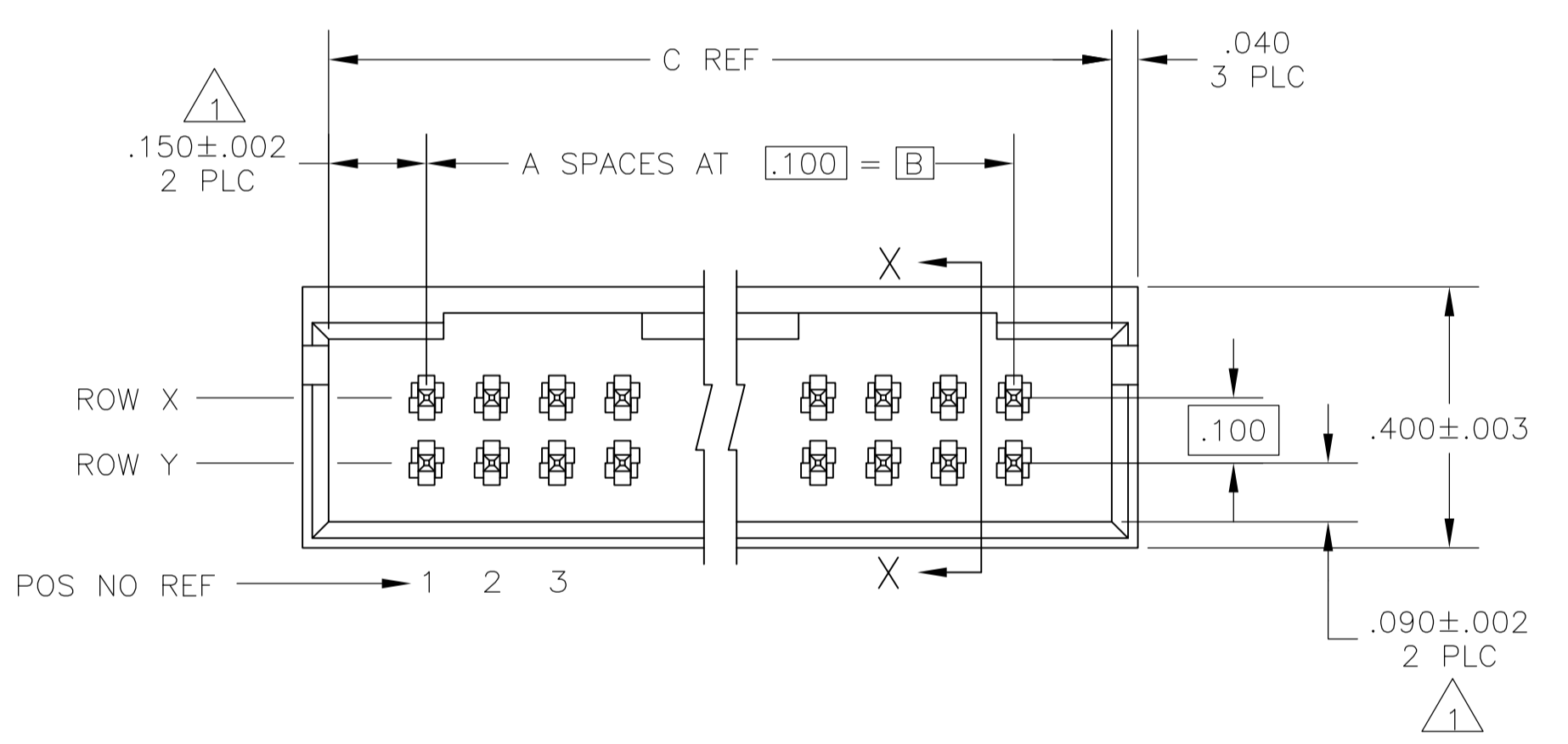
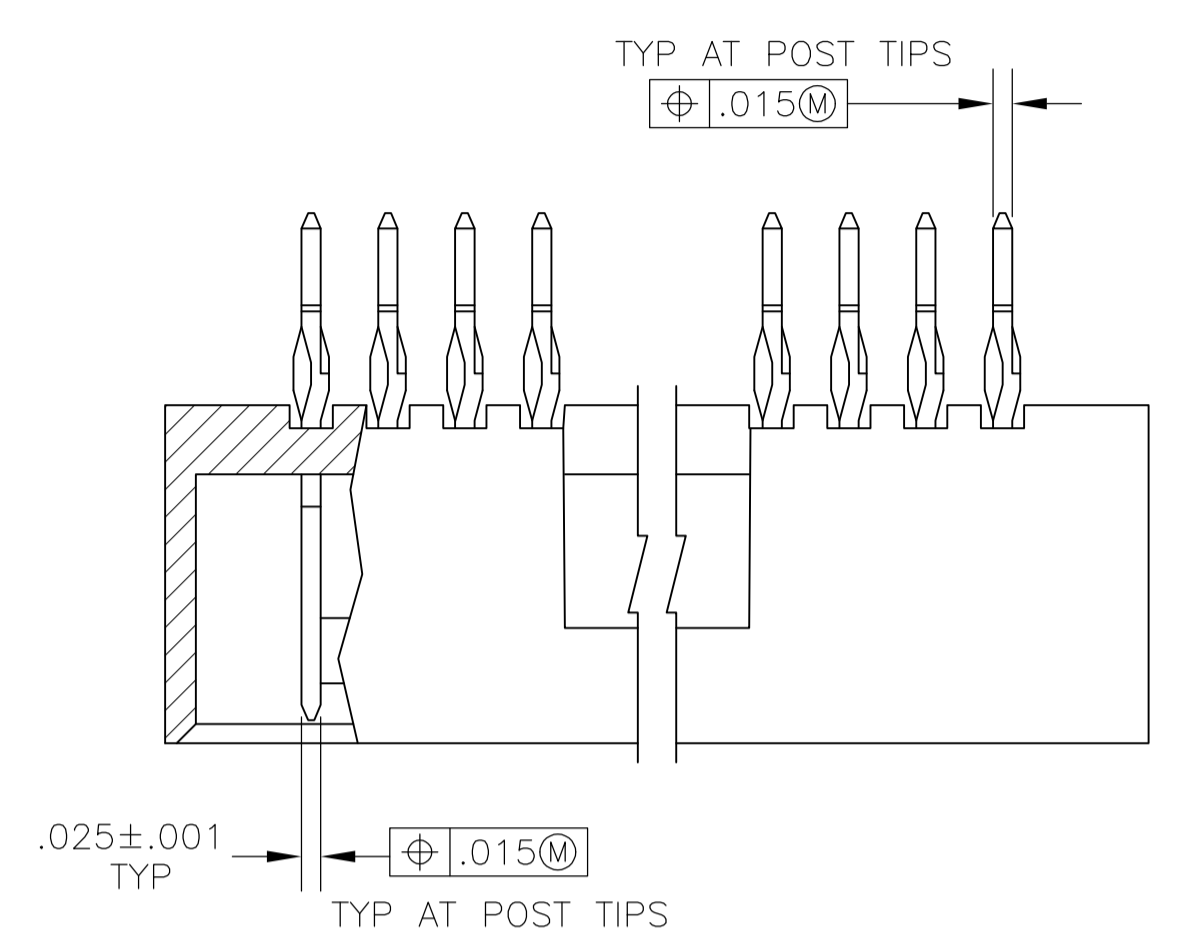


LOC		DIST		REVISIONS					
AD	00	P	LTR	DESCRIPTION	DATE	DN	APVD		
		N3		REVISED PER ECO-11-004587	11MAR11	RK	HMR		

- 1 THE NOTED DIMENSIONS APPLY AT THE INTERSECTION OF THE POST AND HOUSING
- 2 POINT OF MEASUREMENT FOR PLATING THICKNESS
- 3 POSTS: .000030 GOLD IN CONTACT AREA, .000100-.000200 MATTE TIN-LEAD ON THE SOLDER TAIL, ALL OVER .000050 NICKEL
- 4 POSTS: .000030 GOLD IN CONTACT AREA, .000100-.000200 MATTE TIN ON THE SOLDER TAIL, ALL OVER .000050 NICKEL
- 5 OBSOLETE PARTS: OBSOLETE CIS STREAMLINING PER D.RENAUD/D.SINISI



RECOMMENDED HOLE LAYOUT

5	OBSOLETE	5	NONE	.890	.190	1.200	.900	9	20	7-102557-9
5	OBSOLETE	NONE	NONE	1.090	.190	1.400	1.100	11	24	6-102557-7
5	OBSOLETE	NONE	NONE	.490	1.100	.800	8	18	6-102557-5	
		NONE	NONE	.390	1.000	.700	7	16	6-102557-4	
5	OBSOLETE	NONE	NONE	.390	.900	.600	6	14	6-102557-3	
5	OBSOLETE	NONE	NONE	.290	.800	.500	5	12	6-102557-2	
		NONE	NONE	.190	.600	.300	3	8	6-102557-1	
		NONE	NONE	.190	.500	.200	2	6	6-102557-0	
		NONE	NONE	.290	.700	.400	4	10	5-102557-9	
		NONE	NONE	2.890	.190	3.200	2.900	29	60	5-102557-7
5	OBSOLETE	NONE	NONE	2.390	.190	2.700	2.400	24	50	5-102557-6
5	OBSOLETE	NONE	NONE	1.590	.190	1.900	1.600	16	34	5-102557-5
5	OBSOLETE	NONE	NONE	1.390	.190	1.700	1.400	14	30	5-102557-4
5	OBSOLETE	NONE	NONE	1.190	.190	1.500	1.200	12	26	5-102557-3
		NONE	NONE	.890	.190	1.200	.900	9	20	5-102557-2
		NONE	NONE	1.890	.190	2.200	1.900	19	40	5-102557-1
5	OBSOLETE	5	NONE	.890	.190	1.200	.900	9	20	2-102557-9
OBSOLETE		NONE	NONE	2.790	.190	3.100	2.800	28	58	2-102557-8
OBSOLETE		NONE	NONE	2.690	.190	3.000	2.700	27	56	2-102557-7
OBSOLETE		NONE	NONE	2.590	.190	2.900	2.600	26	54	2-102557-6
OBSOLETE		NONE	NONE	2.490	.190	2.800	2.500	25	52	2-102557-5
OBSOLETE		NONE	NONE	2.290	.190	2.600	2.300	23	48	2-102557-4
OBSOLETE		NONE	NONE	2.190	.190	2.500	2.200	22	46	2-102557-3
OBSOLETE		NONE	NONE	1.990	.190	2.300	2.000	20	42	2-102557-2
OBSOLETE		NONE	NONE	1.790	.190	2.100	1.800	18	38	2-102557-1
OBSOLETE		NONE	NONE	1.690	.190	2.000	1.700	17	36	2-102557-0
OBSOLETE		NONE	NONE	1.490	.190	1.800	1.500	15	32	1-102557-9
OBSOLETE		NONE	NONE	1.290	.190	1.600	1.300	13	28	1-102557-8
5	OBSOLETE	NONE	NONE	1.090	.190	1.400	1.100	11	24	1-102557-7
OBSOLETE		NONE	NONE	.990	.190	1.300	1.000	10	22	1-102557-6
5	OBSOLETE	NONE	NONE	.490	1.100	.800	8	18	1-102557-5	
		NONE	NONE	.390	1.000	.700	7	16	1-102557-4	
		NONE	NONE	.390	.900	.600	6	14	1-102557-3	
		NONE	NONE	.290	.800	.500	5	12	1-102557-2	
		NONE	NONE	.190	.600	.300	3	8	1-102557-1	
		NONE	NONE	.190	.500	.200	2	6	1-102557-0	
		NONE	NONE	.290	.700	.400	4	10	102557-9	
OBSOLETE		NONE	NONE	2.090	.190	2.400	2.100	21	44	102557-8
		NONE	NONE	2.890	.190	3.200	2.900	29	60	102557-7
		NONE	NONE	2.390	.190	2.700	2.400	24	50	102557-6
5	OBSOLETE	NONE	NONE	1.590	.190	1.900	1.600	16	34	102557-5
		NONE	NONE	1.390	.190	1.700	1.400	14	30	102557-4
		NONE	NONE	1.190	.190	1.500	1.200	12	26	102557-3
		NONE	NONE	.890	.190	1.200	.900	9	20	102557-2
		NONE	NONE	1.890	.190	2.200	1.900	19	40	102557-1

PLATING	ROW Y	ROW X	E	D	C	B	A	NO OF POSN	ASSEMBLY PART NUMBER

THIS DRAWING IS A CONTROLLED DOCUMENT. **STE** TE Connectivity

APVD: L A MAYER, T C CLARK

NAME: HDR ASSY, MOD II, COMPLIANT PIN, DBL ROW, .100X.100 C/L, 4 SIDED SHROUD

SIZE: A1, CAGE CODE: 00779, DRAWING NO: 102557

SCALE: 4:1, SHEET 1 OF 1, REV N3

## X-ON Electronics

Largest Supplier of Electrical and Electronic Components

*Click to view similar products for [Headers & Wire Housings](#) category:*

*Click to view products by [TE Connectivity](#) manufacturer:*

Other Similar products are found below :

[892-18-020-10-001101](#) [58102-G61-06LF](#) [582553-1](#) [0009485154](#) [009176003701906](#) [0050291907](#) [LY20-4P-DT1-P1E-BR](#) [02.125.8002.8](#)  
[609-3404](#) [61062-3](#) [61082-181009](#) [622-3653LF](#) [63453-116](#) [636-1030](#) [636-1427](#) [636-3427](#) [636-4007](#) [641938-9](#) [641991-4](#) [644827-2](#) [65817-](#)  
[010LF](#) [65817-015LF](#) [65863-015LF](#) [66207-023LF](#) [67095-007LF](#) [67601157](#) [68645-018](#) [68648-049](#) [70.362.1628.0](#) [70-4210](#) [70-4226B](#) [70-](#)  
[4853B](#) [707-5020](#) [707-5028](#) [71.350.2428.0](#) [71918-208LF](#) [71961-016LF](#) [733-134](#) [733-162](#) [754199-000](#) [760-3052](#) [787-8014-00](#) [79531-3000](#)  
[FCN-360C032-B](#) [FCN-367T-T012/H](#) [FCN-723D010/2](#) [80.063.4001.1](#) [800-90-001-10-001000](#) [800-90-010-10-002000](#) [801-43-002-10-013000](#)