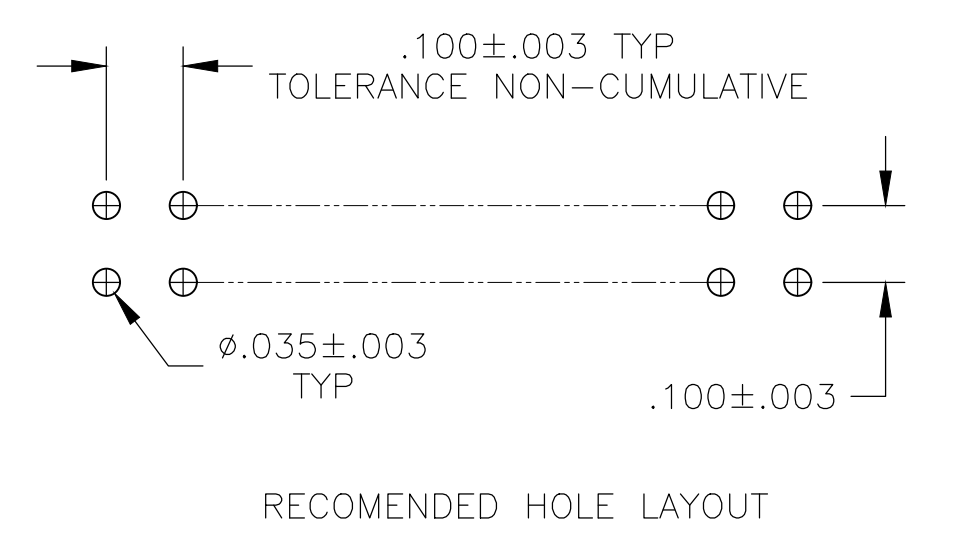
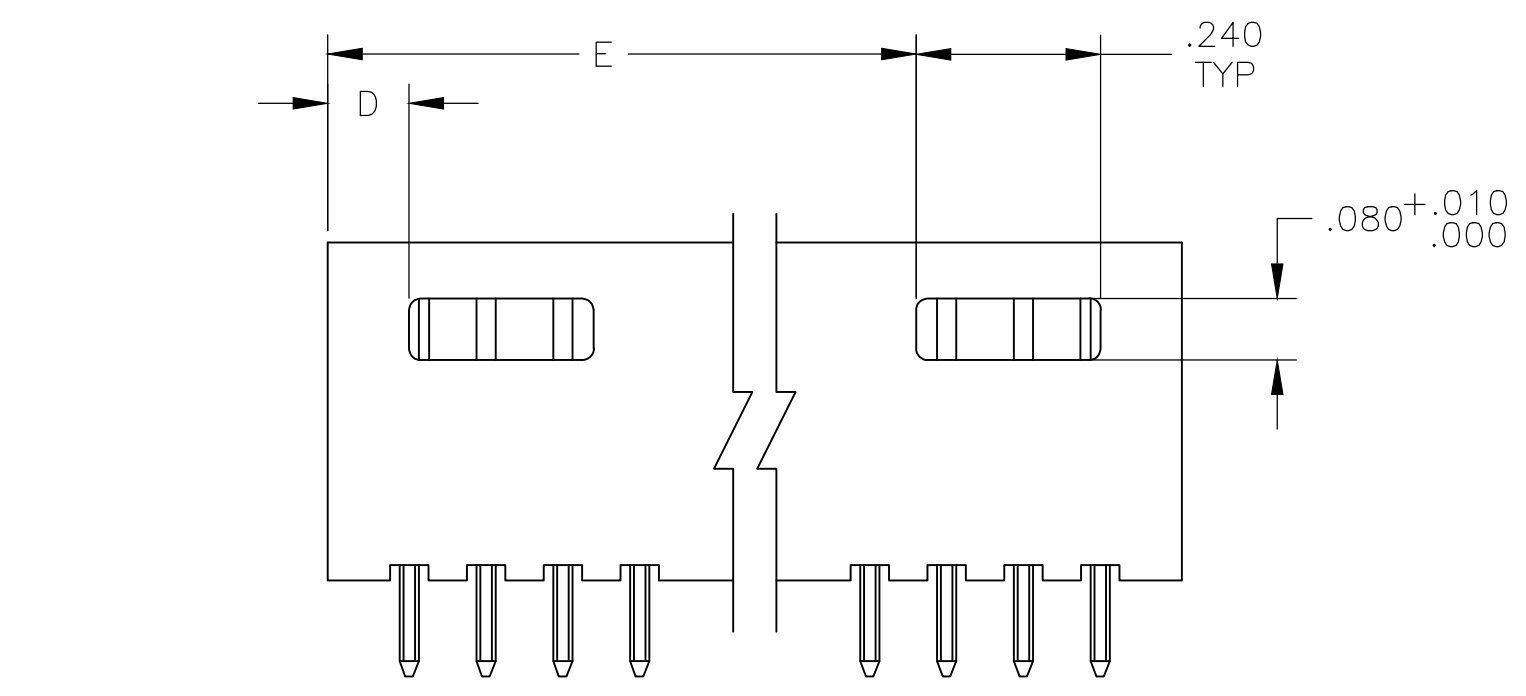
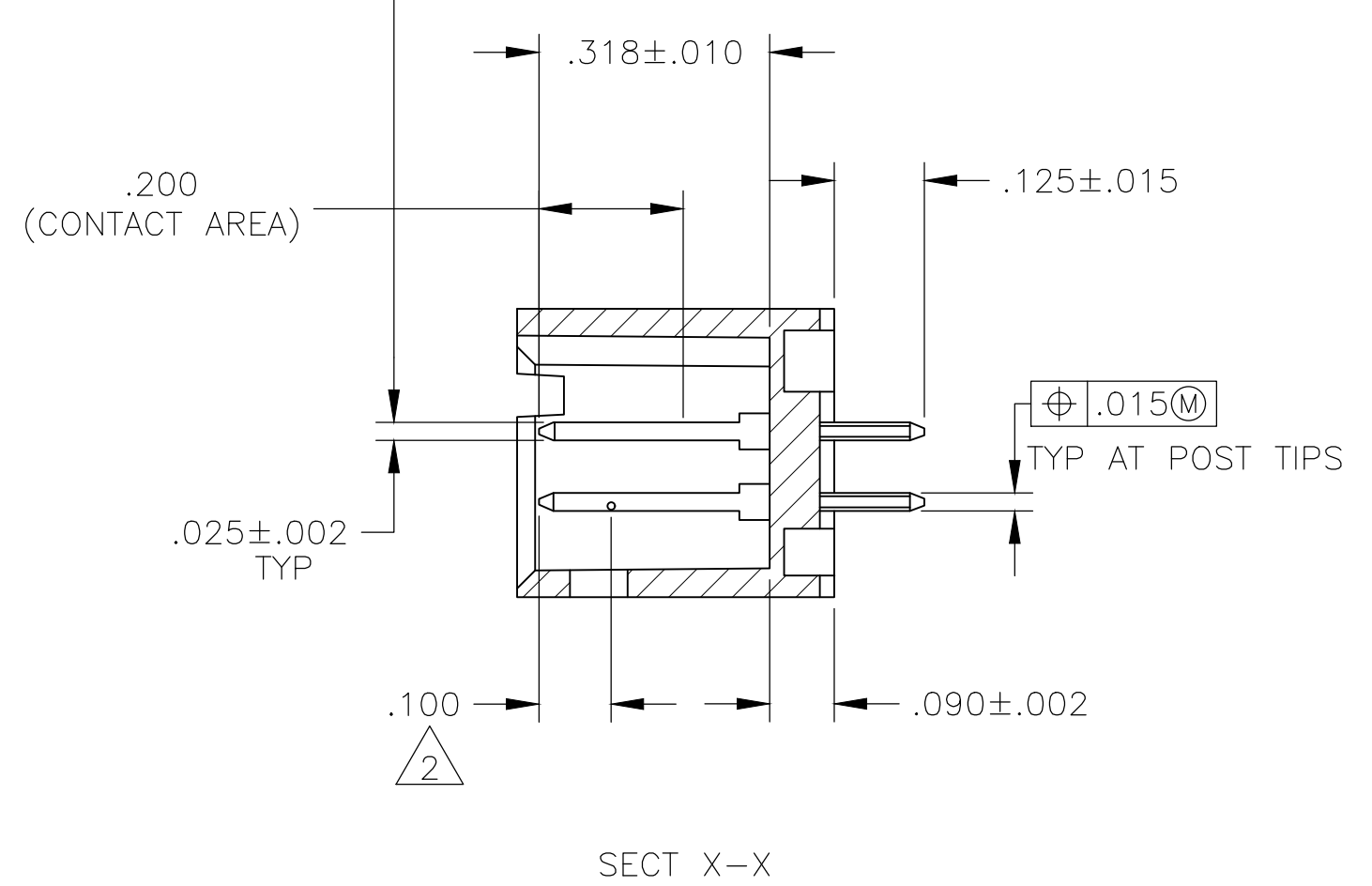
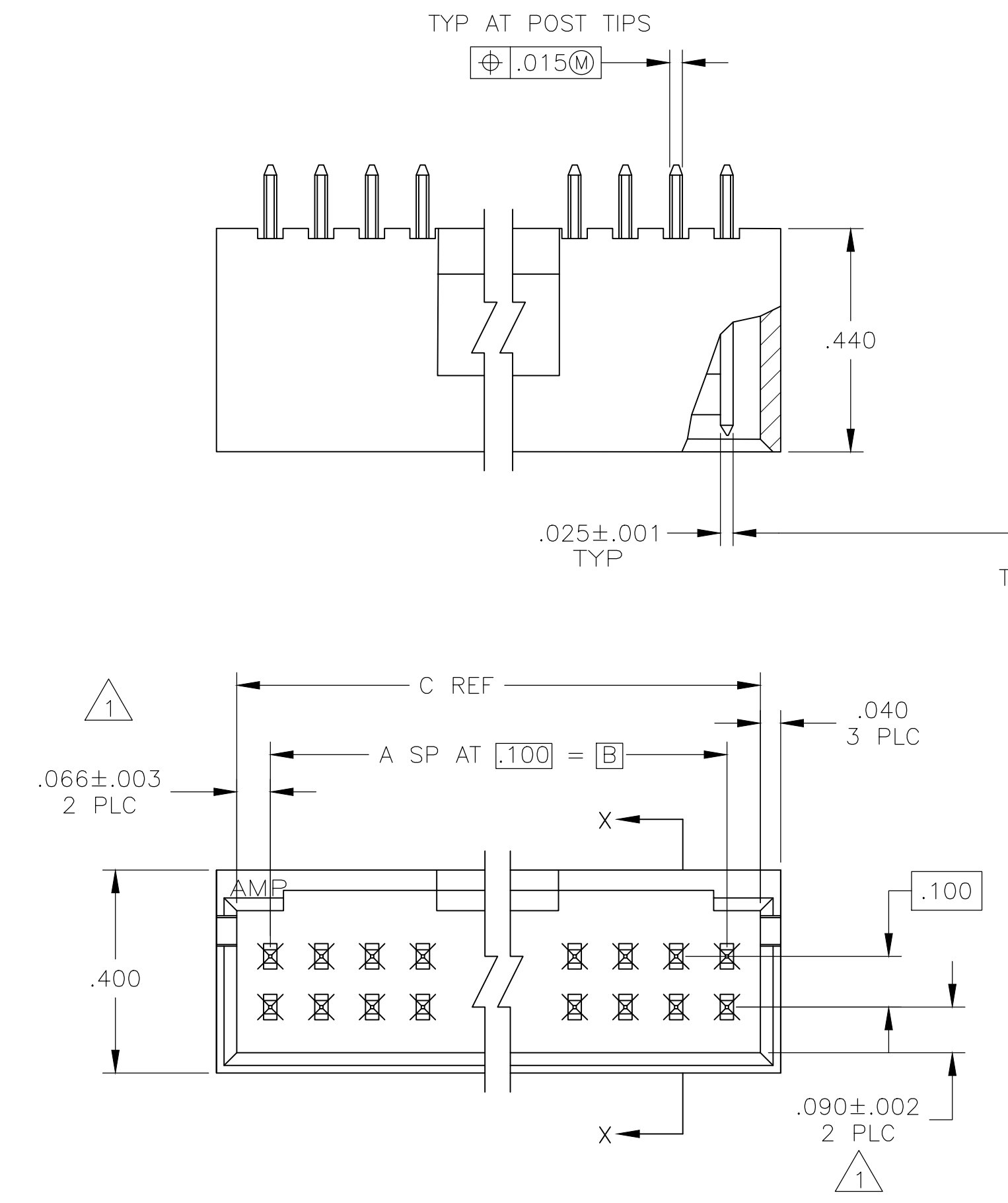


REVISIONS					
P	LTR	DESCRIPTION	DATE	DMN	APVD
L3		PART STATUS UPDATED IN PART LIST TABLE	09FEB2018	SD	PS

- 1 THE NOTED DIMENSIONS APPLY AT THE INTERSECTION OF THE POST AND HOUSING
- 2 POINT OF MEASUREMENT FOR PLATING THICKNESS
- 3 FINISH: POSTS: .000015 GOLD IN CONTACT AREA, .000100-.000200 MATTE TIN-LEAD ON SOLDER TAIL, ALL OVER .000050 NICKEL
- 4 FINISH: POSTS: .000015 GOLD IN CONTACT AREA, .000100-.000200 MATTE TIN ON SOLDER TAIL, ALL OVER .000050 NICKEL
- 5 MATERIALS: HOUSING- FLAME RETARDANT THERMOPLASTIC, COLOR-BLACK  
POSTS- PHOS BRONZE
- 6 OBSOLETE PARTS: OBSOLETE CIS STREAMLINING PER D.RENAUD/D.SINISI



REV	DESCRIPTION	DATE	DMN	APVD
8-102618-5				
8-102618-4				
8-102618-3				
8-102618-2				
8-102618-1				
8-102618-0				
7-102618-9				
7-102618-8				
7-102618-7				
7-102618-6				
7-102618-5				
7-102618-4				
7-102618-3				
7-102618-2				
7-102618-1				
7-102618-0				
6-102618-9				
6-102618-8				
6-102618-7				
6-102618-6				
6-102618-5				
6-102618-4				
6-102618-3				
6-102618-2				
6-102618-1				
6-102618-0				
5-102618-9				
5-102618-8				
5-102618-7				
5-102618-6				
5-102618-5				
5-102618-4				
5-102618-3				
5-102618-2				
5-102618-1				
5-102618-0				
3-102618-5				
3-102618-4				
3-102618-3				
3-102618-2				
3-102618-1				
3-102618-0				
2-102618-9				
2-102618-8				
2-102618-7				
2-102618-6				
2-102618-5				
2-102618-4				
2-102618-3				
2-102618-2				
2-102618-1				
2-102618-0				
1-102618-9				
1-102618-8				
1-102618-7				
1-102618-6				
1-102618-5				
1-102618-4				
1-102618-3				
1-102618-2				
1-102618-1				
1-102618-0				
—102618-9				
102618-8				
102618-7				
102618-6				
102618-5				
102618-4				
102618-3				
102618-2				
102618-1				

THIS DRAWING IS A CONTROLLED DOCUMENT.

APPROVED: LA MAYER, 4-9-87

DATE: 4-9-87

NAME: ASSEMBLY, HEADER, MOD II, .025 SQ POST, DBL ROW, .100 X .100 C/L WITH DETENTS

SIZE: A1, CASE CODE: 00779, DRAWING NO: 102618

SCALE: 4:1, SHEET: 1 OF 1, REV: L3

## X-ON Electronics

Largest Supplier of Electrical and Electronic Components

*Click to view similar products for [Headers & Wire Housings](#) category:*

*Click to view products by [TE Connectivity](#) manufacturer:*

Other Similar products are found below :

[95000-104TRLF](#) [10135584-644402LF](#) [DF62W-EP2022PCA](#) [95000-106TRLF](#) [DF62W-2022SCA](#) [DF62W-EP2022PC](#) [2203348](#) [DF62W-2022SC](#) [1084018](#) [1029039](#) [1084017](#) [802-10-012-10-002000](#) [1112640](#) [1112639](#) [000-34000](#) [0009482033](#) [0009507031](#) [57102-S06-03LF](#) [57202-S52-04LF](#) [PCN6-15S-2.5E](#) [0039019024](#) [58102-G61-06LF](#) [582553-1](#) [0009508121](#) [0050291907](#) [018731A](#) [LY20-4P-DT1-P1E-BR](#) [02.125.8002.8](#) [60101931](#) [60598-1 \(Cut Strip\)](#) [M1625-3R/100](#) [61062-3](#) [61082-181009](#) [636-1427](#) [638009-1](#) [641938-9](#) [641991-4](#) [644168-1](#) [647662-1](#) [65039-019ELF](#) [65817-002LF](#) [65817-015LF](#) [65863-015LF](#) [66207-023LF](#) [67016-026LF](#) [67046-001LF](#) [67095-007LF](#) [68002-116](#) [68016-236H](#) [68648-049](#)