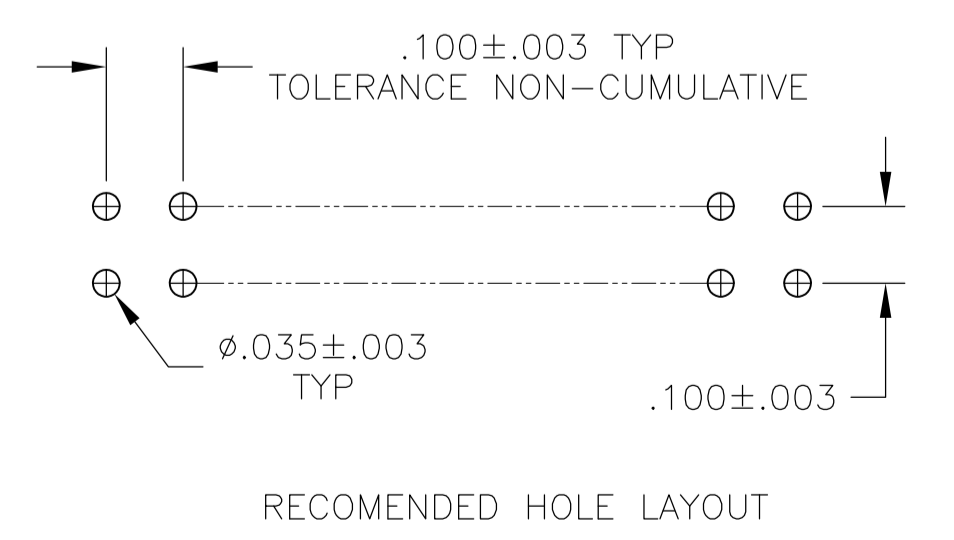
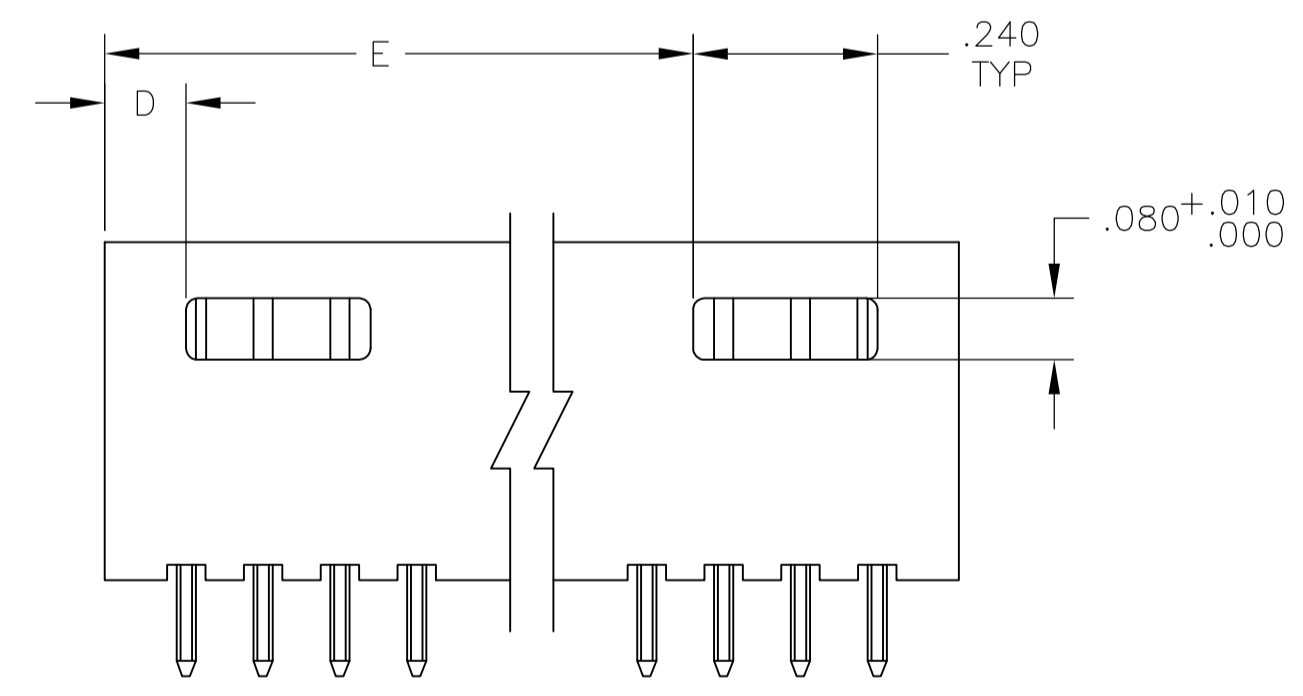
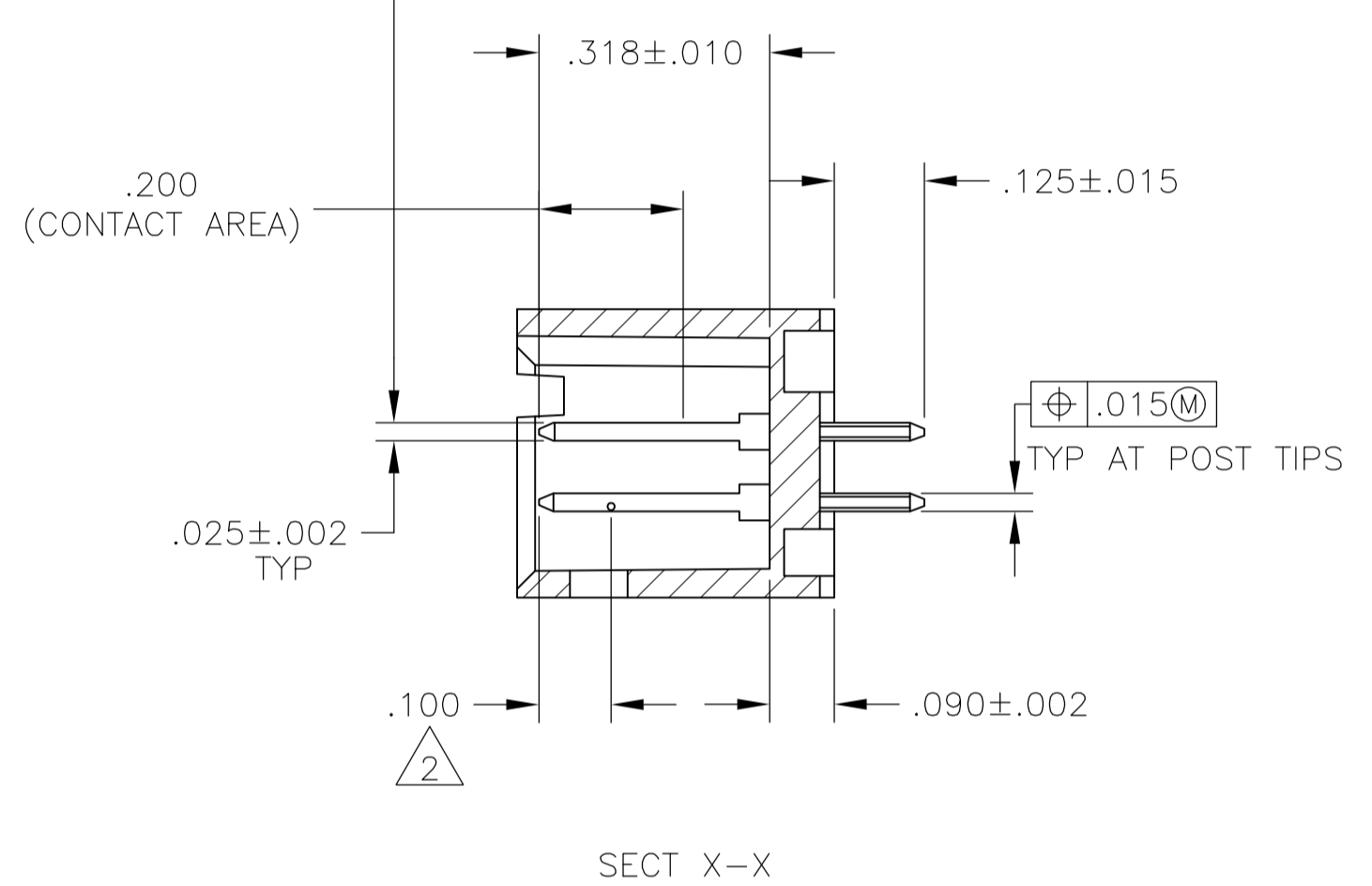
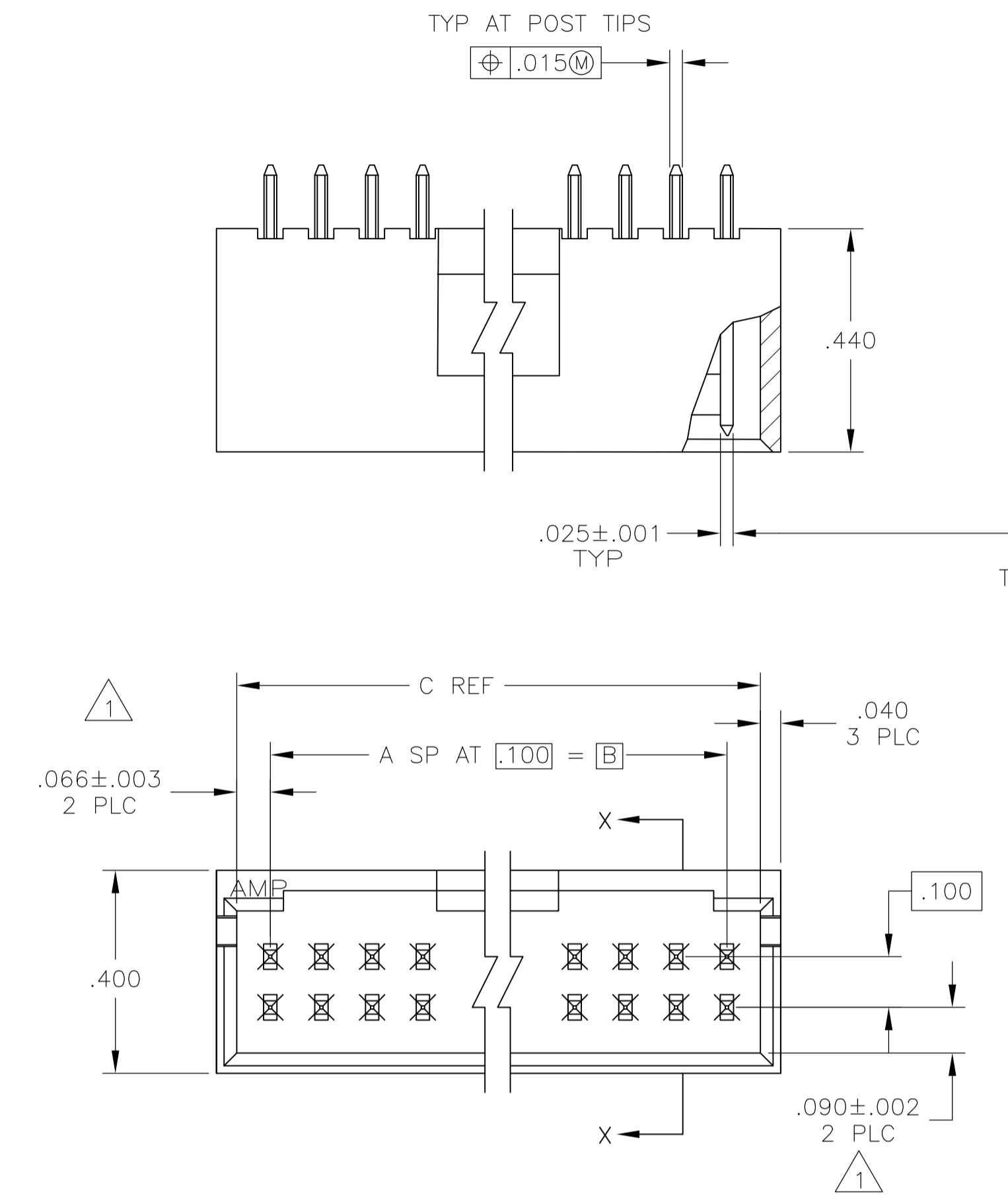


LOC		DIST		REVISIONS			
AD	00	REV	PER	ECO	NO	DATE	BY
		L2	REVISED	PER	ECO-11-004587	11MAR11	RK HMR

- 1 THE NOTED DIMENSIONS APPLY AT THE INTERSECTION OF THE POST AND HOUSING
- 2 POINT OF MEASUREMENT FOR PLATING THICKNESS
- 3 FINISH: POSTS:.000015 GOLD IN CONTACT AREA, .000100-.000200 MATTE TIN-LEAD ON SOLDER TAIL, ALL OVER .000050 NICKEL
- 4 FINISH: POSTS:.000015 GOLD IN CONTACT AREA, .000100-.000200 MATTE TIN ON SOLDER TAIL, ALL OVER .000050 NICKEL
- 5 MATERIALS: HOUSING- FLAME RETARDANT THERMOPLASTIC, COLOR-BLACK
POSTS- PHOS BRONZE
- 6 OBSOLETE PARTS: OBSOLETE CIS STREAMLINING PER D.RENAUD/D.SINISI



REV	PER	ECO	NO	DATE	BY	DESCRIPTION	
8						8-102618-5	
8						8-102618-4	
8						8-102618-3	
8						8-102618-2	
8						8-102618-1	
8						8-102618-0	
7						7-102618-9	
7						7-102618-8	
7						7-102618-7	
7						7-102618-6	
7						7-102618-5	
7						7-102618-4	
7						7-102618-3	
7						7-102618-2	
7						7-102618-1	
7						7-102618-0	
6						6-102618-9	
6						6-102618-8	
6						6-102618-7	
6						6-102618-6	
6						6-102618-5	
6						6-102618-4	
6						6-102618-3	
6						6-102618-2	
6						6-102618-1	
6						6-102618-0	
5						5-102618-9	
5						5-102618-8	
5						5-102618-7	
5						5-102618-6	
5						5-102618-5	
5						5-102618-4	
5						5-102618-3	
5						5-102618-2	
5						5-102618-1	
5						5-102618-0	
3						3-102618-5	
3						3-102618-4	
3						3-102618-3	
3						3-102618-2	
3						3-102618-1	
3						3-102618-0	
2						2-102618-9	
2						2-102618-8	
2						2-102618-7	
2						2-102618-6	
2						2-102618-5	
2						2-102618-4	
2						2-102618-3	
2						2-102618-2	
2						2-102618-1	
2						2-102618-0	
1						1-102618-9	
1						1-102618-8	
1						1-102618-7	
1						1-102618-6	
1						1-102618-5	
1						1-102618-4	
1						1-102618-3	
1						1-102618-2	
1						1-102618-1	
1						1-102618-0	
5-102618-9						5-102618-9	
102618-8						102618-8	
102618-7						102618-7	
102618-6						102618-6	
102618-5						102618-5	
102618-4						102618-4	
102618-3						102618-3	
102618-2						102618-2	
102618-1						102618-1	
102618-0						102618-0	
PLATING	E	D	C	B	A	NO. OF POSN	ASSEMBLY PART NUMBER

▲ SUP BY 5-102618-9

THIS DRAWING IS A CONTROLLED DOCUMENT.

DIMENSIONS: INCHES	TOLERANCES UNLESS OTHERWISE SPECIFIED:	0 PLC ± .005	1 PLC ± .005	2 PLC ± .005	3 PLC ± .005	4 PLC ± .005	ANGLES ± .005
--------------------	--	--------------	--------------	--------------	--------------	--------------	---------------

MATERIAL: 5 SEE TABLE

APPROVED: LA MAYER 4-9-87

REVISIONS: R FEIDT 4-9-87

NAME: HDR ASSY, MOD II, SHROUDED, 4 SIDES, DBL ROW, VERTICAL, .100X.100 C/L, WITH .025 SQ POSTS

SIZE: A1

WEIGHT: 100779

RESTRICTED CUSTOMER

SCALE: 4:1

SHEET: 1 OF 1

REV: L2

STE TE Connectivity

X-ON Electronics

Largest Supplier of Electrical and Electronic Components

Click to view similar products for [Headers & Wire Housings](#) category:

Click to view products by [TE Connectivity](#) manufacturer:

Other Similar products are found below :

[95000-104TRLF](#) [10135584-644402LF](#) [DF62W-EP2022PCA](#) [95000-106TRLF](#) [DF62W-2022SCA](#) [DF62W-EP2022PC](#) [2203348](#) [DF62W-2022SC](#) [1084018](#) [1029039](#) [1084017](#) [802-10-012-10-002000](#) [1112640](#) [1112639](#) [891-007-9SS-BST1T](#) [000-34000](#) [0008550134](#) [0009482033](#) [0009507031](#) [57102-F02-18ULF](#) [57102-S06-03LF](#) [57202-S52-04LF](#) [PCN6-15S-2.5E](#) [0039019024](#) [58102-G61-06LF](#) [582553-1](#) [0009485154](#) [0009508121](#) [0022285053](#) [0050291907](#) [018731A](#) [LY20-4P-DT1-P1E-BR](#) [02.125.8002.8](#) [60101931](#) [60598-1 \(Cut Strip\)](#) [M1625-3R/100](#) [61062-3](#) [61082-181009](#) [CSU011177004](#) [636-1427](#) [638009-1](#) [641938-9](#) [641991-4](#) [644168-1](#) [644827-2](#) [647662-1](#) [65039-019ELF](#) [65692-001LF](#) [65781-018](#) [65781-047](#)