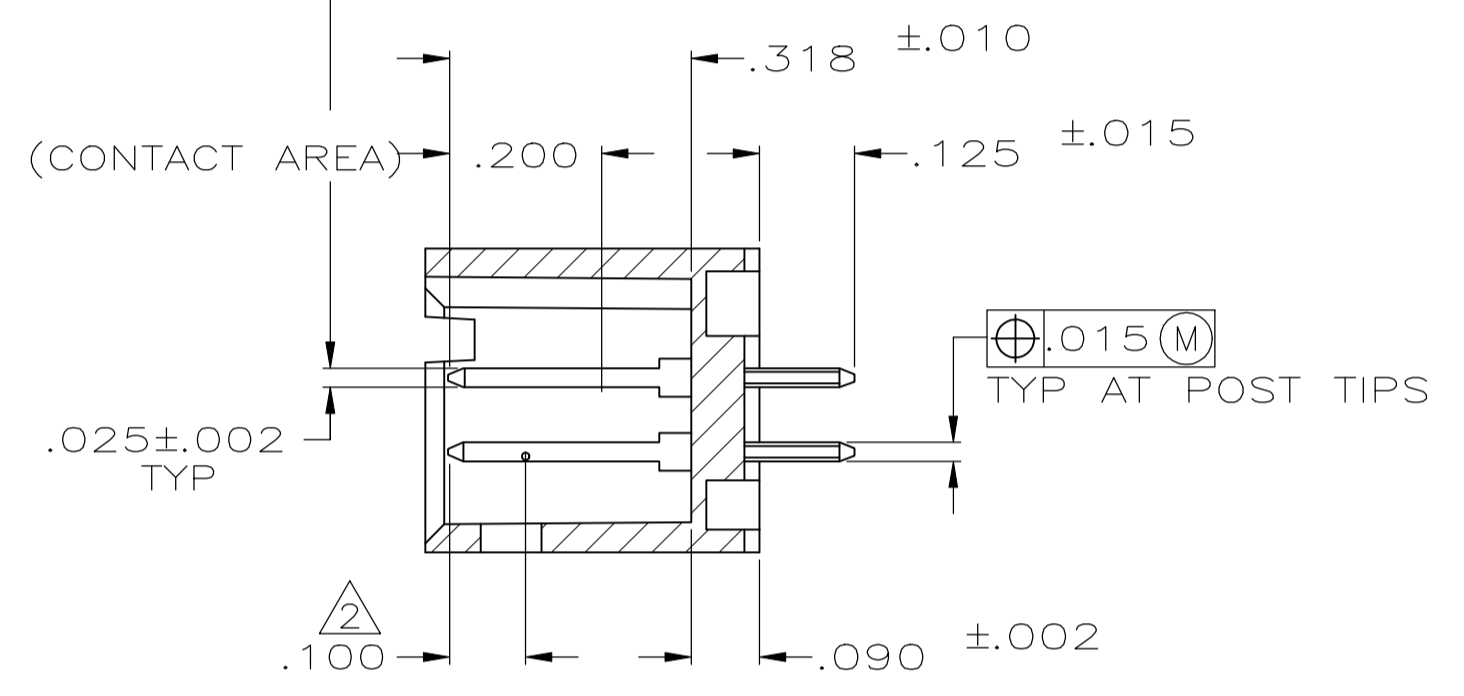
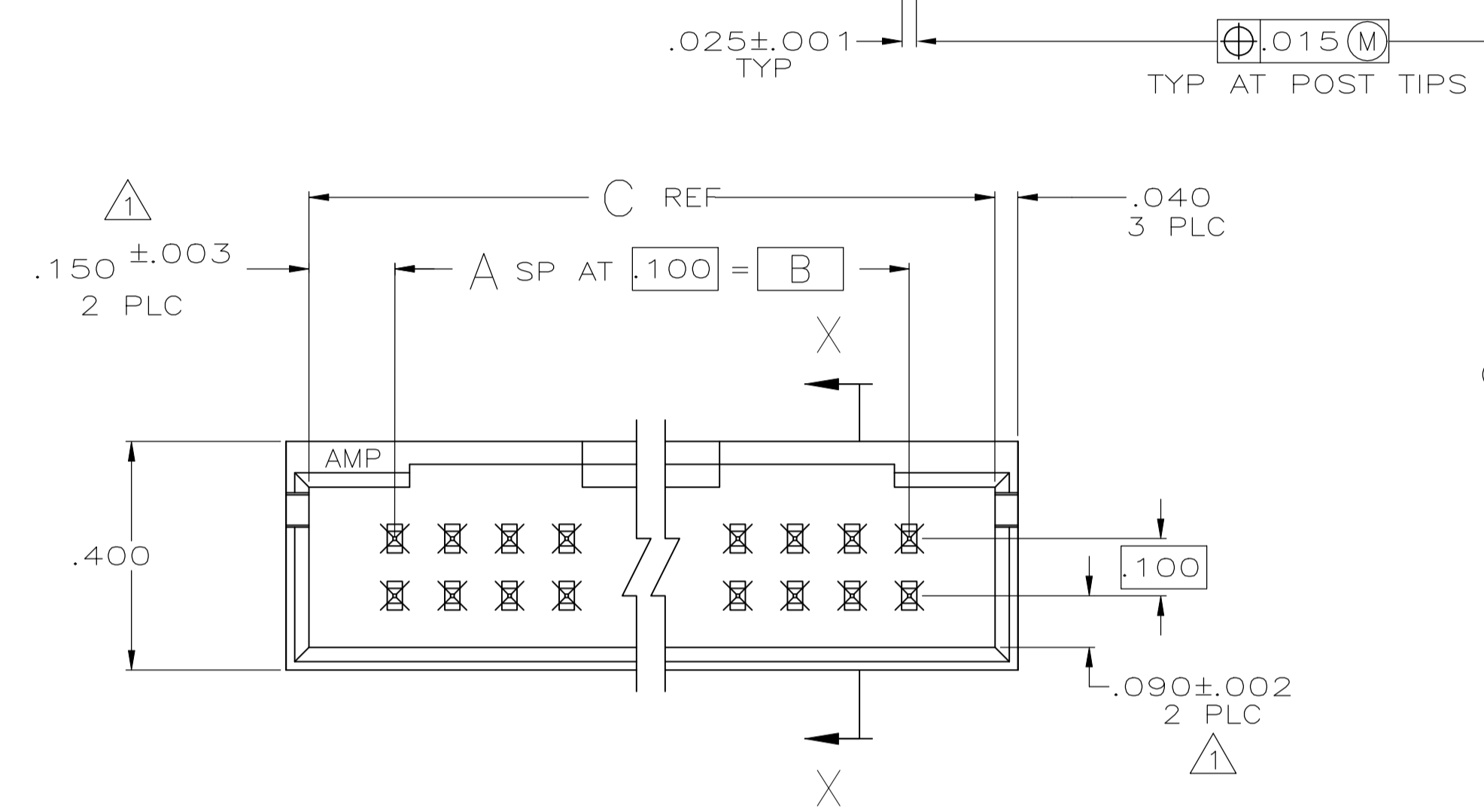
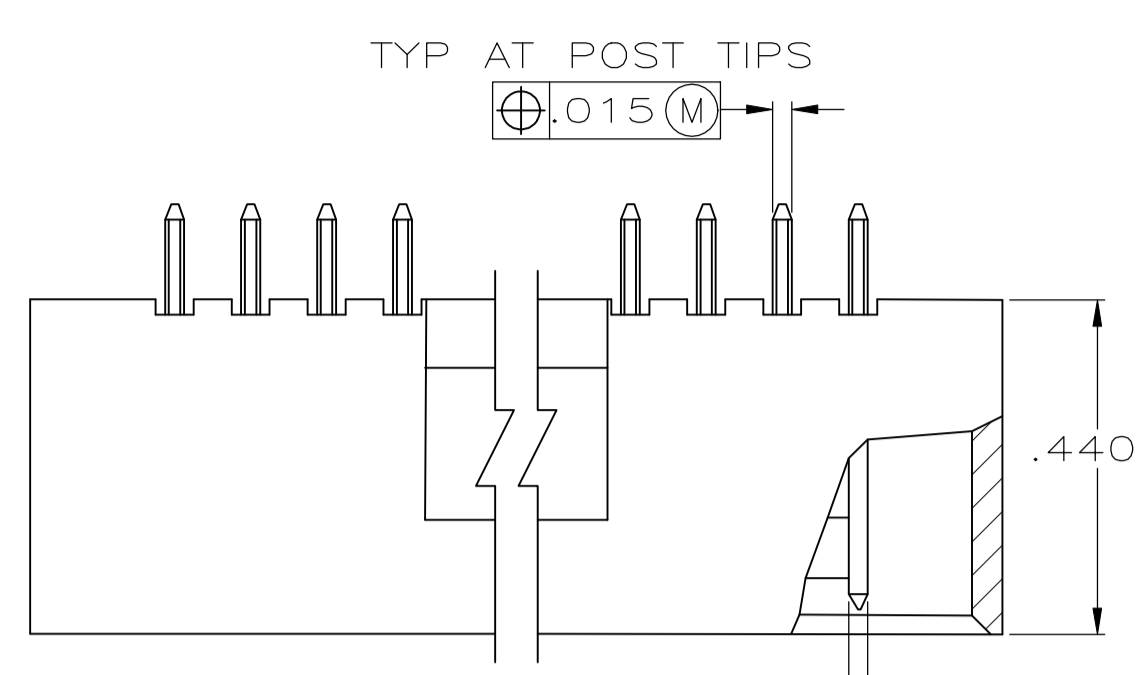
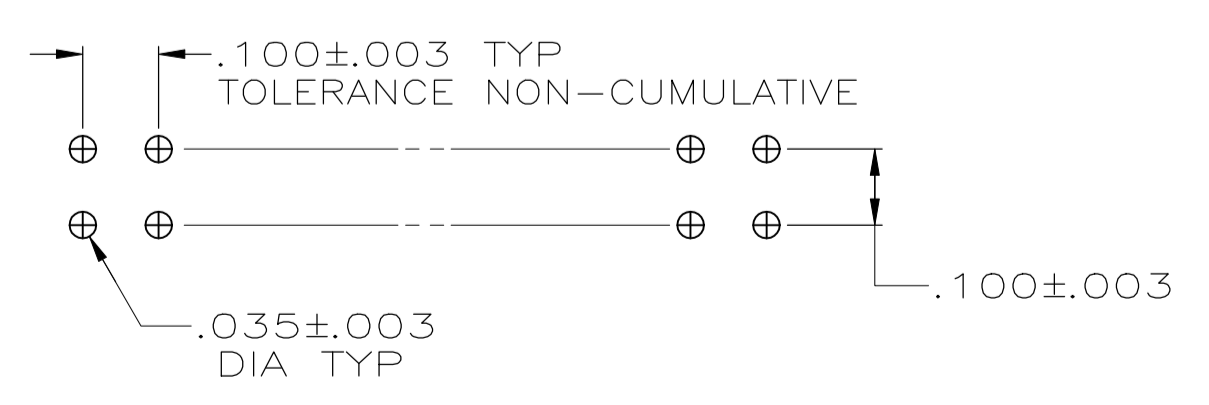
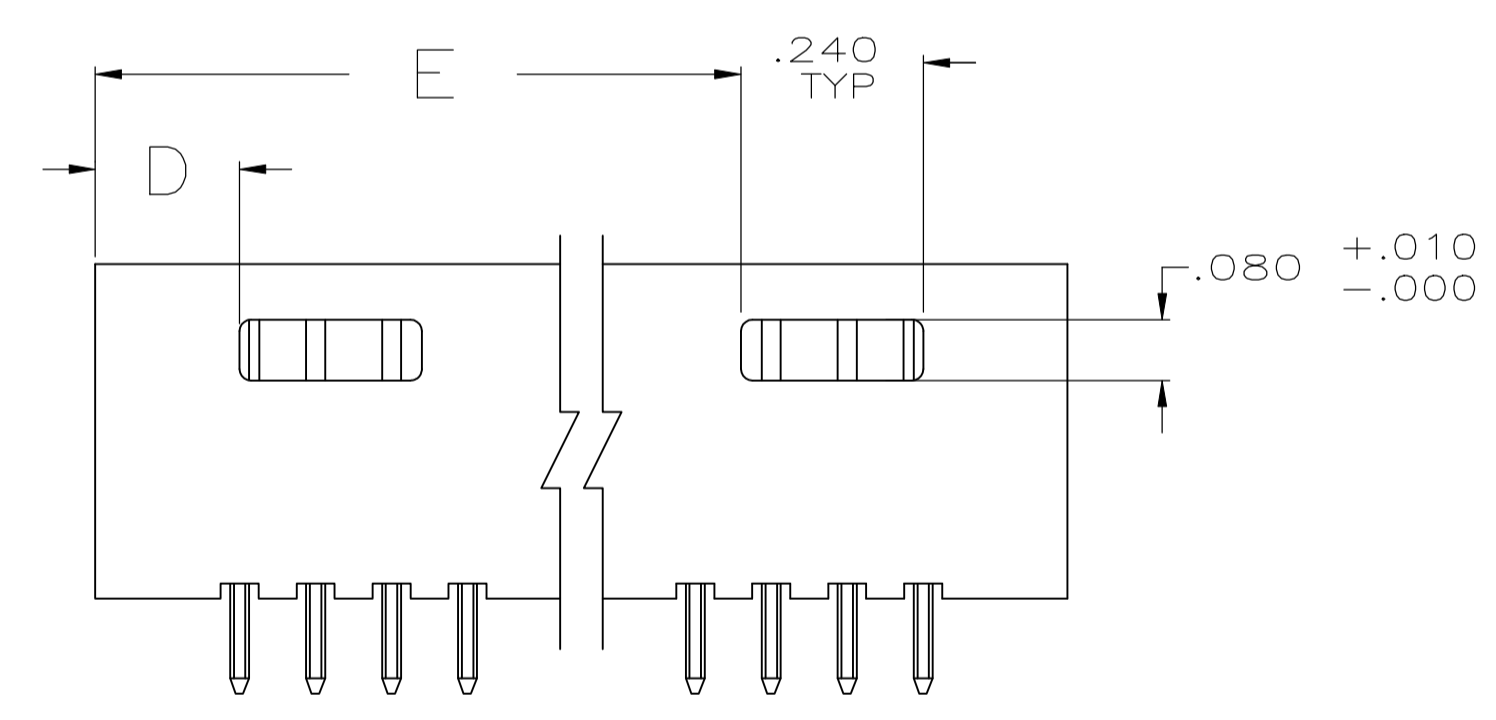


REVISIONS				
P	LTR	DESCRIPTION	DATE	APP'D
K3		PART STATUS UPDATED IN THE DRAWING	02AUG2018	KJK/PS

- 1 THE NOTED DIMENSIONS APPLY AT THE INTERSECTION OF THE POST AND HOUSING
- 2 POINT OF MEASUREMENT FOR PLATING THICKNESS
- 3 MATERIAL: HOUSING- FLAME RETARDANT THERMOPLASTIC, COLOR- BLACK
POSTS- PHOS BRONZE
- 4 FINISH: POSTS- .000015 GOLD IN CONTACT AREA,
.000100-.000200 MATTE TIN-LEAD ON SOLDER TAIL,
ALL OVER .000050 NICKEL
- 5 FINISH: POSTS- .000015 GOLD IN CONTACT AREA,
.000100-.000200 MATTE TIN ON SOLDER TAIL,
ALL OVER .000050 NICKEL
- 6 OBSOLETE PARTS: OBSOLETE CIS STREAMLINING PER D.RENAUD/D.SINISI



SECTION X-X



RECOMMENDED HOLE LAYOUT

FINISH	E	D	C	B	A	NO OF POSN	ASSEMBLY PART NUMBER
6						72	8-102619-4
6						70	8-102619-3
6						68	8-102619-2
6						66	8-102619-1
6						64	8-102619-0
6						62	7-102619-9
6						60	7-102619-8
6						58	7-102619-7
6						56	7-102619-6
6						54	7-102619-5
6						52	7-102619-4
6						50	7-102619-3
6						48	7-102619-2
6						46	7-102619-1
6						44	7-102619-0
5						42	6-102619-9
6						40	6-102619-8
6						38	6-102619-7
6						36	6-102619-6
6						34	6-102619-5
6						32	6-102619-4
6						30	6-102619-3
6						28	6-102619-2
6						26	6-102619-1
6						24	6-102619-0
6						22	5-102619-9
6						20	5-102619-8
6						18	5-102619-7
6						16	5-102619-6
6						14	5-102619-5
6						12	5-102619-4
6						10	5-102619-3
6						8	5-102619-2
6						6	5-102619-1
6						72	3-102619-4
6						70	3-102619-3
6						68	3-102619-2
6						66	3-102619-1
6						64	3-102619-0
6						62	2-102619-9
6						60	2-102619-8
6						58	2-102619-7
6						56	2-102619-6
6						54	2-102619-5
6						52	2-102619-4
6						50	2-102619-3
6						48	2-102619-2
6						46	2-102619-1
6						44	2-102619-0
4						42	1-102619-9
6						40	1-102619-8
6						38	1-102619-7
6						36	1-102619-6
6						34	1-102619-5
6						32	1-102619-4
6						30	1-102619-3
6						28	1-102619-2
6						26	1-102619-1
6						24	1-102619-0
6						22	102619-9
6						20	102619-8
6						18	102619-7
6						16	102619-6
6						14	102619-5
6						12	102619-4
6						10	102619-3
6						8	102619-2
6						6	102619-1

SUPERCEDED BY 7-102619-3

SUPERCEDED BY 6-102619-8

SUPERCEDED BY 6-102619-5

SUPERCEDED BY 6-102619-3

SUPERCEDED BY 6-102619-1

SUPERCEDED BY 6-102619-0

SUPERCEDED BY 5-102619-9

SUPERCEDED BY 5-102619-8

SUPERCEDED BY 5-102619-7

SUPERCEDED BY 5-102619-6

SUPERCEDED BY 5-102619-5

SUPERCEDED BY 5-102619-4

SUPERCEDED BY 5-102619-3

SUPERCEDED BY 5-102619-2

SUPERCEDED BY 5-102619-1

THIS DRAWING IS A CONTROLLED DOCUMENT. DWN R BROWN 16AUG05
DHW J GESFORD 16AUG05
APVD J GESFORD 16AUG05 NAME
TO DRAWERS UNLESS OTHERWISE SPECIFIED: PRODUCT SPEC
APPLICATION SPEC
MATERIAL FINISH SEE TABLE WEIGHT RESTRICTED TO
CUSTOMER DRAWING SCALE 4:1 SHEET 1 OF 1 REV K3

STE TE Connectivity Ltd.
HDR ASSY, MOD II, SHROUDED,
4 SIDES, DBL ROW, VERTICAL, 100X.100 CL,
-
SIZE CAGE CODE DRAWING NO
A1 00779 C=102619
RESTRICTED TO

X-ON Electronics

Largest Supplier of Electrical and Electronic Components

Click to view similar products for [Headers & Wire Housings](#) category:

Click to view products by [TE Connectivity](#) manufacturer:

Other Similar products are found below :

[95000-104TRLF](#) [10135584-644402LF](#) [DF62W-EP2022PCA](#) [95000-106TRLF](#) [DF62W-2022SCA](#) [DF62W-EP2022PC](#) [2203348](#) [DF62W-2022SC](#) [1084018](#) [1029039](#) [1084017](#) [802-10-012-10-002000](#) [1112640](#) [1112639](#) [000-34000](#) [0009482033](#) [0009507031](#) [57102-S06-03LF](#) [57202-S52-04LF](#) [PCN6-15S-2.5E](#) [0039019024](#) [58102-G61-06LF](#) [582553-1](#) [0009508121](#) [0050291907](#) [018731A](#) [LY20-4P-DT1-P1E-BR](#) [02.125.8002.8](#) [60101931](#) [60598-1 \(Cut Strip\)](#) [M1625-3R/100](#) [61062-3](#) [61082-181009](#) [636-1427](#) [638009-1](#) [641938-9](#) [641991-4](#) [644168-1](#) [647662-1](#) [65039-019ELF](#) [65817-002LF](#) [65817-015LF](#) [65863-015LF](#) [66207-023LF](#) [67016-026LF](#) [67046-001LF](#) [67095-007LF](#) [68002-116](#) [68016-236H](#) [68648-049](#)