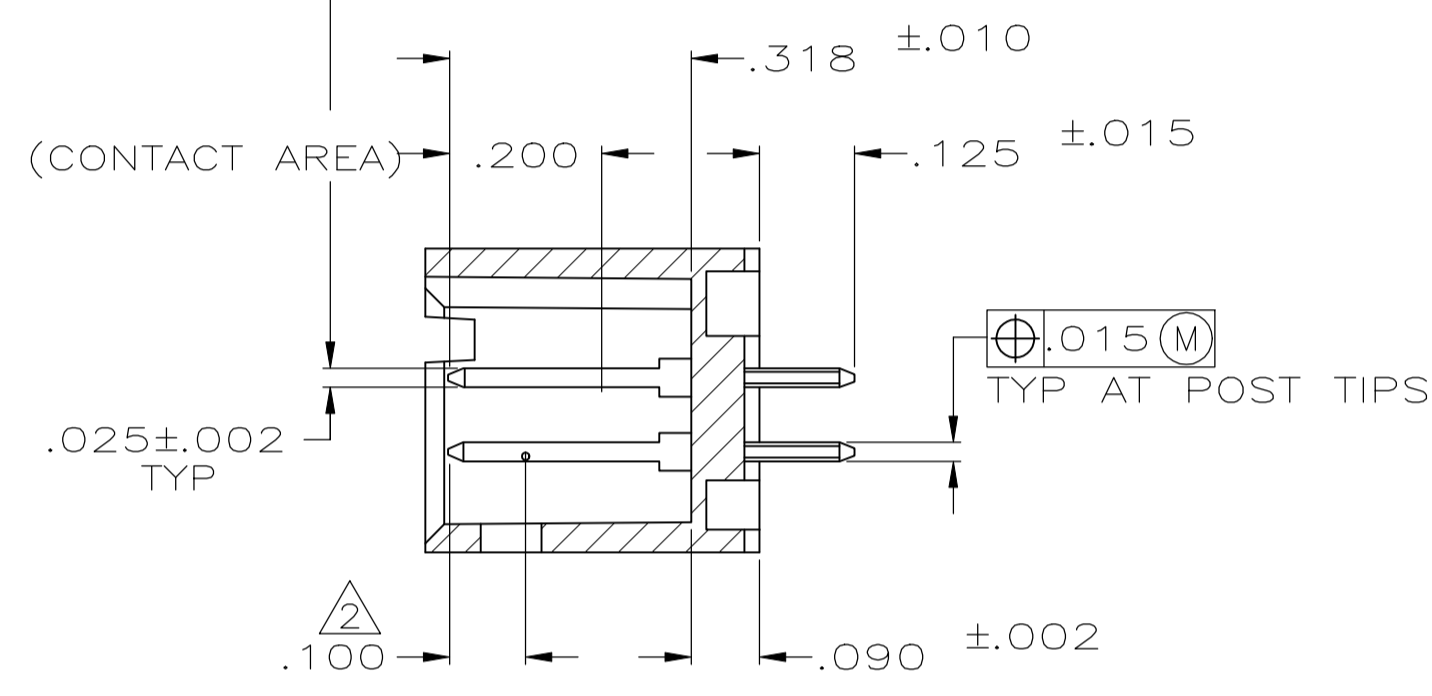
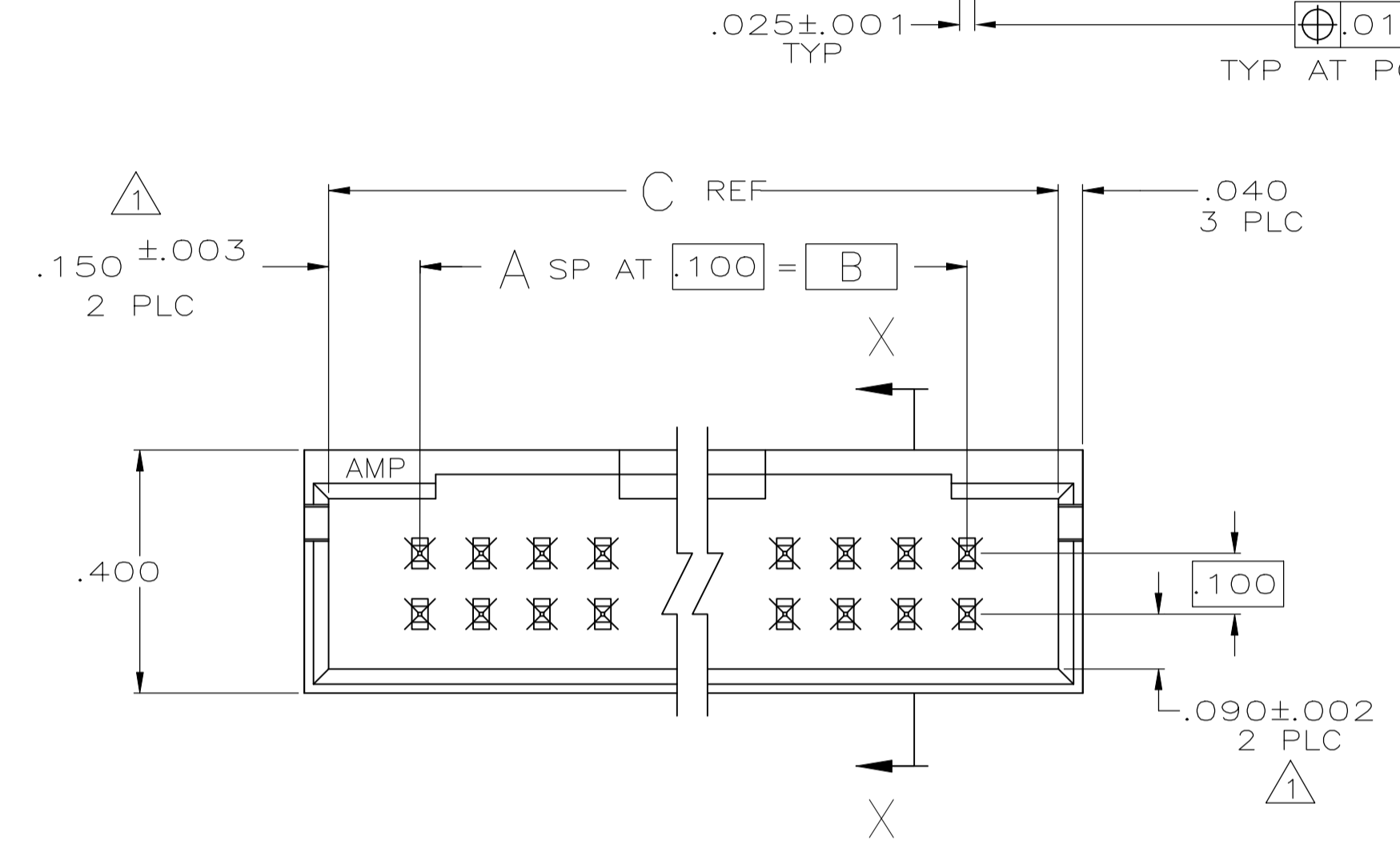
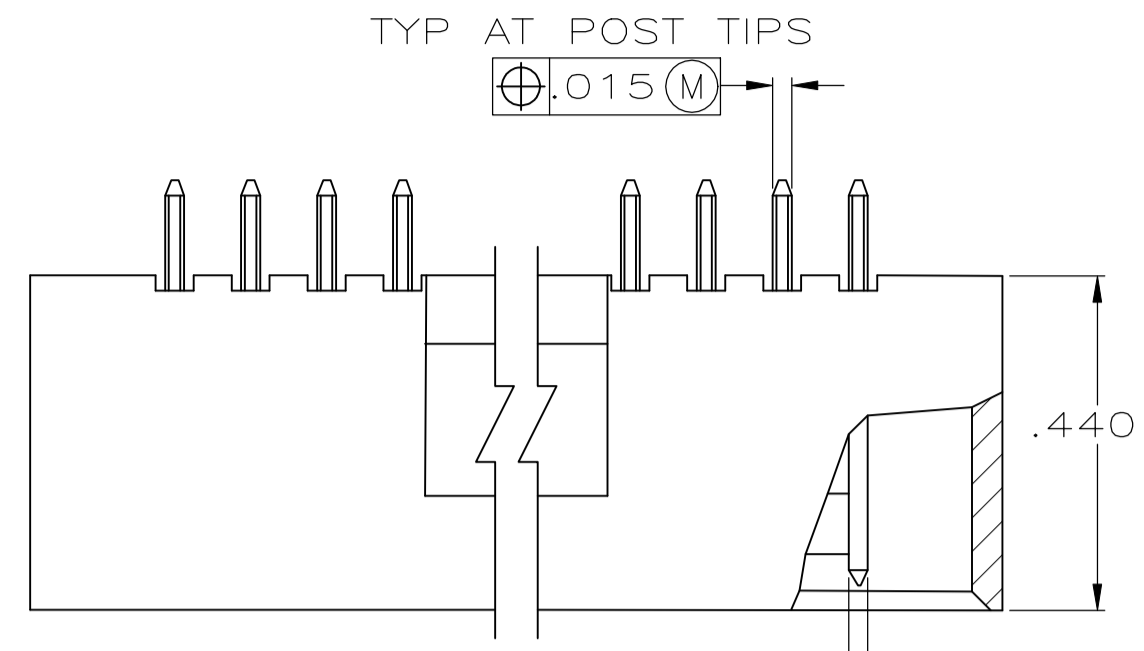


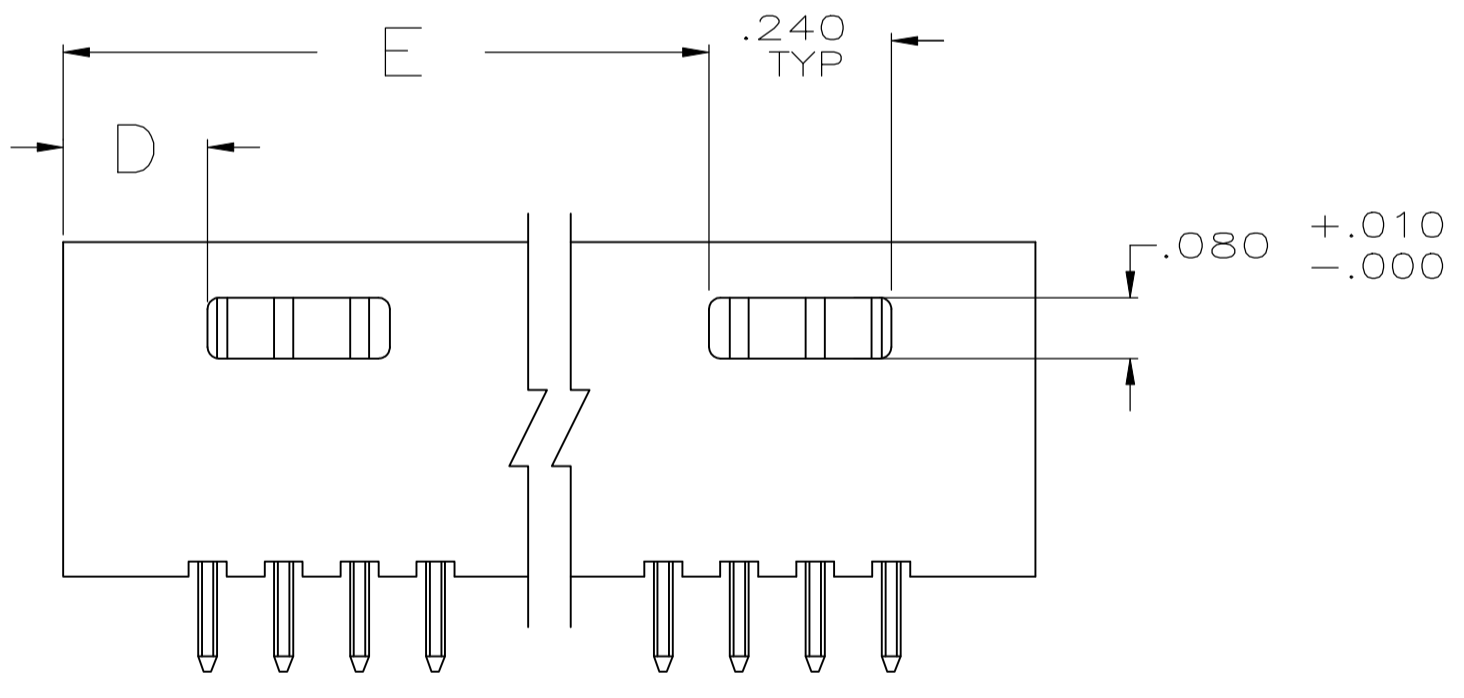
THIS DRAWING IS UNPUBLISHED. RELEASED FOR PUBLICATION. ALL RIGHTS RESERVED.

REVISIONS				
P	LTR	DESCRIPTION	DATE	APP'D
K3		PART STATUS UPDATED IN THE DRAWING	02AUG2018	KJK/PS

- △ 1 THE NOTED DIMENSIONS APPLY AT THE INTERSECTION OF THE POST AND HOUSING
- △ 2 POINT OF MEASUREMENT FOR PLATING THICKNESS
- △ 3 MATERIAL: HOUSING- FLAME RETARDANT THERMOPLASTIC, COLOR- BLACK
POSTS- PHOS BRONZE
- △ 4 FINISH: POSTS- .000015 GOLD IN CONTACT AREA,
.000100-.000200 MATTE TIN-LEAD ON SOLDER TAIL,
ALL OVER .000050 NICKEL
- △ 5 FINISH: POSTS- .000015 GOLD IN CONTACT AREA,
.000100-.000200 MATTE TIN ON SOLDER TAIL,
ALL OVER .000050 NICKEL
- △ 6 OBSOLETE PARTS: OBSOLETE CIS STREAMLINING PER D.RENAUD/D.SINISI



SECTION X-X



RECOMMENDED HOLE LAYOUT

- △ 6 OBSOLETE
- △ 6 OBSOLETE
- △ 6 OBSOLETE
- △ 6 OBSOLETE
- △ 6 OBSOLETE
- △ 6 OBSOLETE

FINISH	E	D	C	B	A	NO OF POSN	ASSEMBLY PART NUMBER
△ 6							3-102619-4
△ 6							3-102619-3
△ 6							3-102619-2
△ 6							3-102619-1
△ 6							3-102619-0
△ 6							2-102619-9
△ 6							2-102619-8
△ 6							2-102619-7
△ 6							2-102619-6
△ 6							2-102619-5
△ 6							2-102619-4
△ 6							2-102619-3
△ 6							2-102619-2
△ 6							2-102619-1
△ 6							2-102619-0
△ 6							1-102619-9
△ 6							1-102619-8
△ 6							1-102619-7
△ 6							1-102619-6
△ 6							1-102619-5
△ 6							1-102619-4
△ 6							1-102619-3
△ 6							1-102619-2
△ 6							1-102619-1
△ 6							1-102619-0
△ 6							102619-9
△ 6							102619-8
△ 6							102619-7
△ 6							102619-6
△ 6							102619-5
△ 6							102619-4
△ 6							102619-3
△ 6							102619-2
△ 6							102619-1

- SUPERCEDED BY 7-102619-3
- △ 6 OBSOLETE
- SUPERCEDED BY 6-102619-8
- △ 6 OBSOLETE
- SUPERCEDED BY 6-102619-5
- △ 6 OBSOLETE
- SUPERCEDED BY 6-102619-3
- △ 6 OBSOLETE
- SUPERCEDED BY 6-102619-1
- SUPERCEDED BY 6-102619-0
- SUPERCEDED BY 5-102619-9
- SUPERCEDED BY 5-102619-8
- SUPERCEDED BY 5-102619-7
- SUPERCEDED BY 5-102619-6
- SUPERCEDED BY 5-102619-5
- SUPERCEDED BY 5-102619-4
- SUPERCEDED BY 5-102619-3
- SUPERCEDED BY 5-102619-2
- SUPERCEDED BY 5-102619-1

THIS DRAWING IS A CONTROLLED DOCUMENT. DWN R BROWN 16AUG05, DH J GESFORD 16AUG05, APVD J GESFORD 16AUG05

DIMENSIONS: INCHES. TOLERANCES UNLESS OTHERWISE SPECIFIED:

0 PLC	± .
1 PLC	± .
2 PLC	± .005
3 PLC	± .
4 PLC	± .
ANGLES	± .

MATERIAL: FINISH SEE TABLE

APPROVED BY: **STE** TE Connectivity Ltd. NAME: J. GESFORD

PRODUCT SPEC: HDR ASSY, MOD II, SHROUDED, 4 SIDES, DBL ROW, VERTICAL, 100X.100 CL.

APPLICATION SPEC: SIZE CAGE CODE DRAWING NO: A1 00779 102619

RESTRICTED TO: CUSTOMER DRAWING SCALE: 4:1 SHEET 1 OF 1 REV: K3

X-ON Electronics

Largest Supplier of Electrical and Electronic Components

Click to view similar products for [Headers & Wire Housings](#) category:

Click to view products by [TE Connectivity](#) manufacturer:

Other Similar products are found below :

[95000-104TRLF](#) [10135584-644402LF](#) [DF62W-EP2022PCA](#) [95000-106TRLF](#) [DF62W-2022SCA](#) [DF62W-EP2022PC](#) [2203348](#) [DF62W-2022SC](#) [1084018](#) [1029039](#) [1084017](#) [802-10-012-10-002000](#) [1112640](#) [1112639](#) [000-34000](#) [0009482033](#) [0009507031](#) [57102-S06-03LF](#) [57202-S52-04LF](#) [PCN6-15S-2.5E](#) [0039019024](#) [58102-G61-06LF](#) [582553-1](#) [0009508121](#) [0050291907](#) [018731A](#) [LY20-4P-DT1-P1E-BR](#) [02.125.8002.8](#) [60101931](#) [60598-1 \(Cut Strip\)](#) [M1625-3R/100](#) [61062-3](#) [61082-181009](#) [636-1427](#) [638009-1](#) [641938-9](#) [641991-4](#) [644168-1](#) [647662-1](#) [65039-019ELF](#) [65817-002LF](#) [65817-015LF](#) [65863-015LF](#) [66207-023LF](#) [67016-026LF](#) [67046-001LF](#) [67095-007LF](#) [68002-116](#) [68016-236H](#) [68648-049](#)