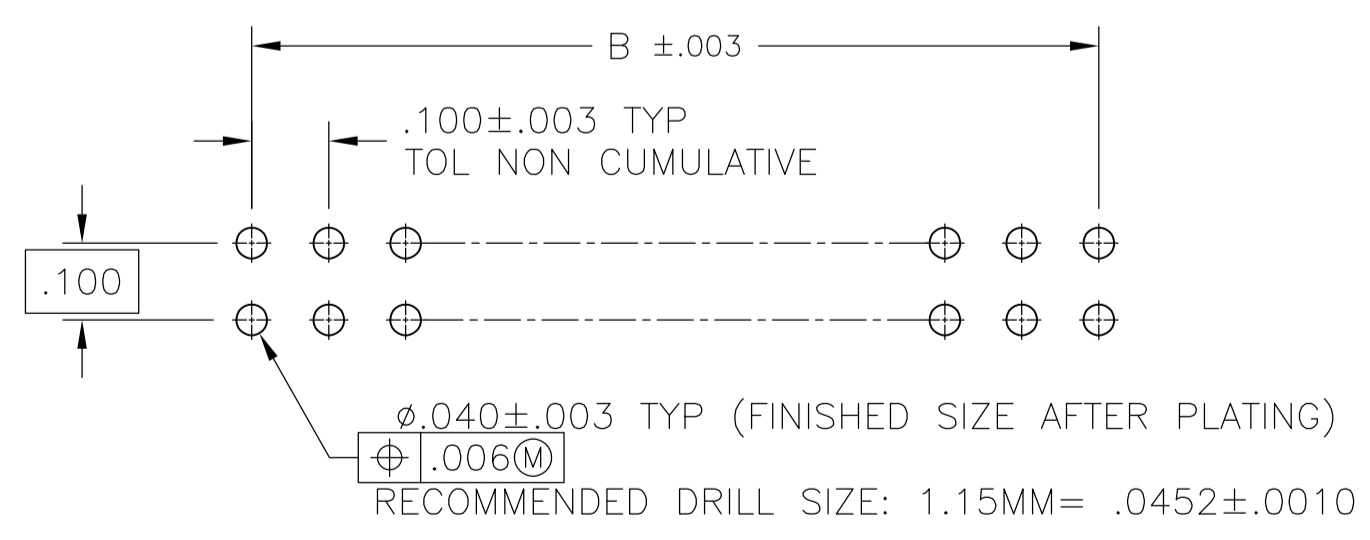
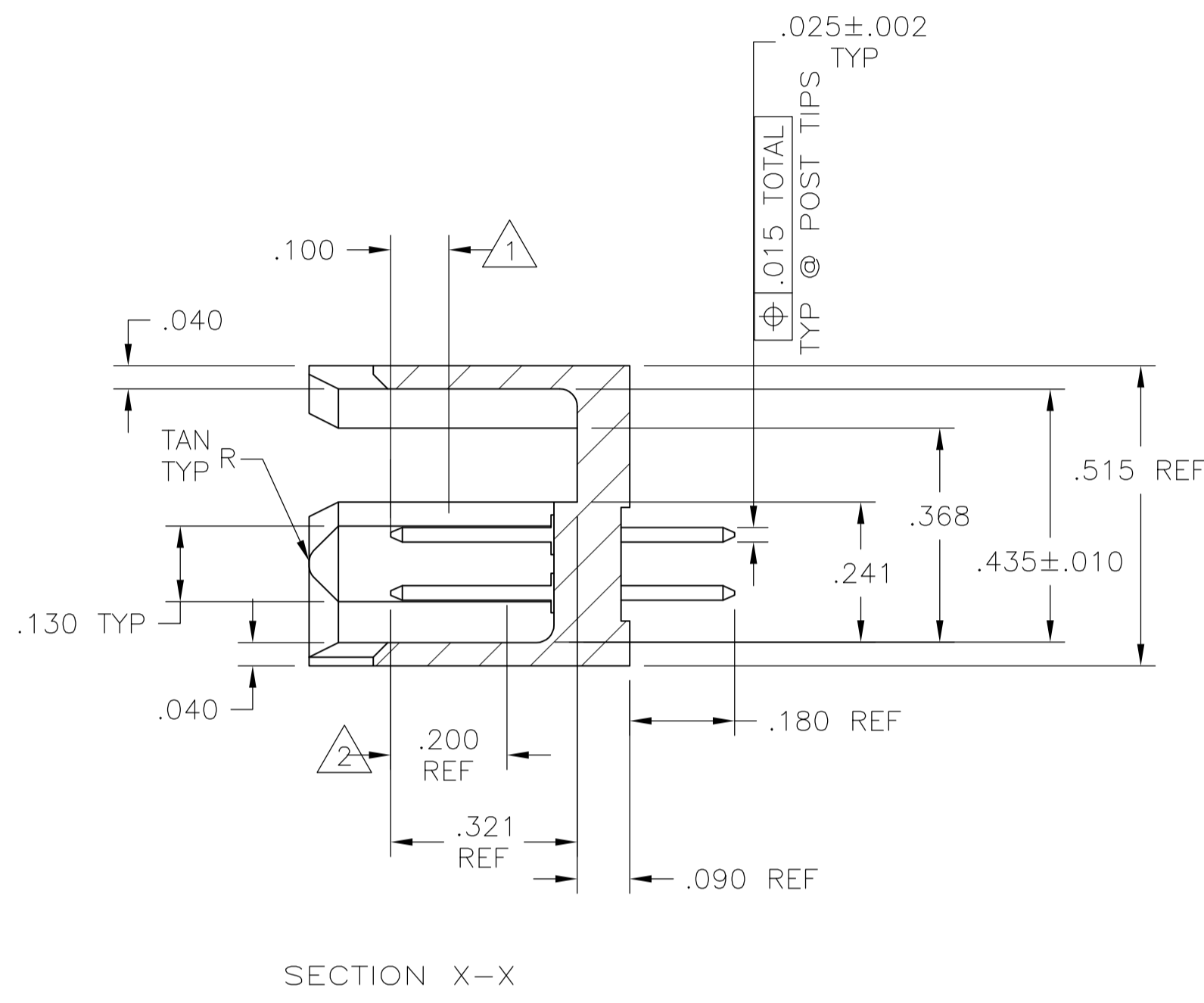
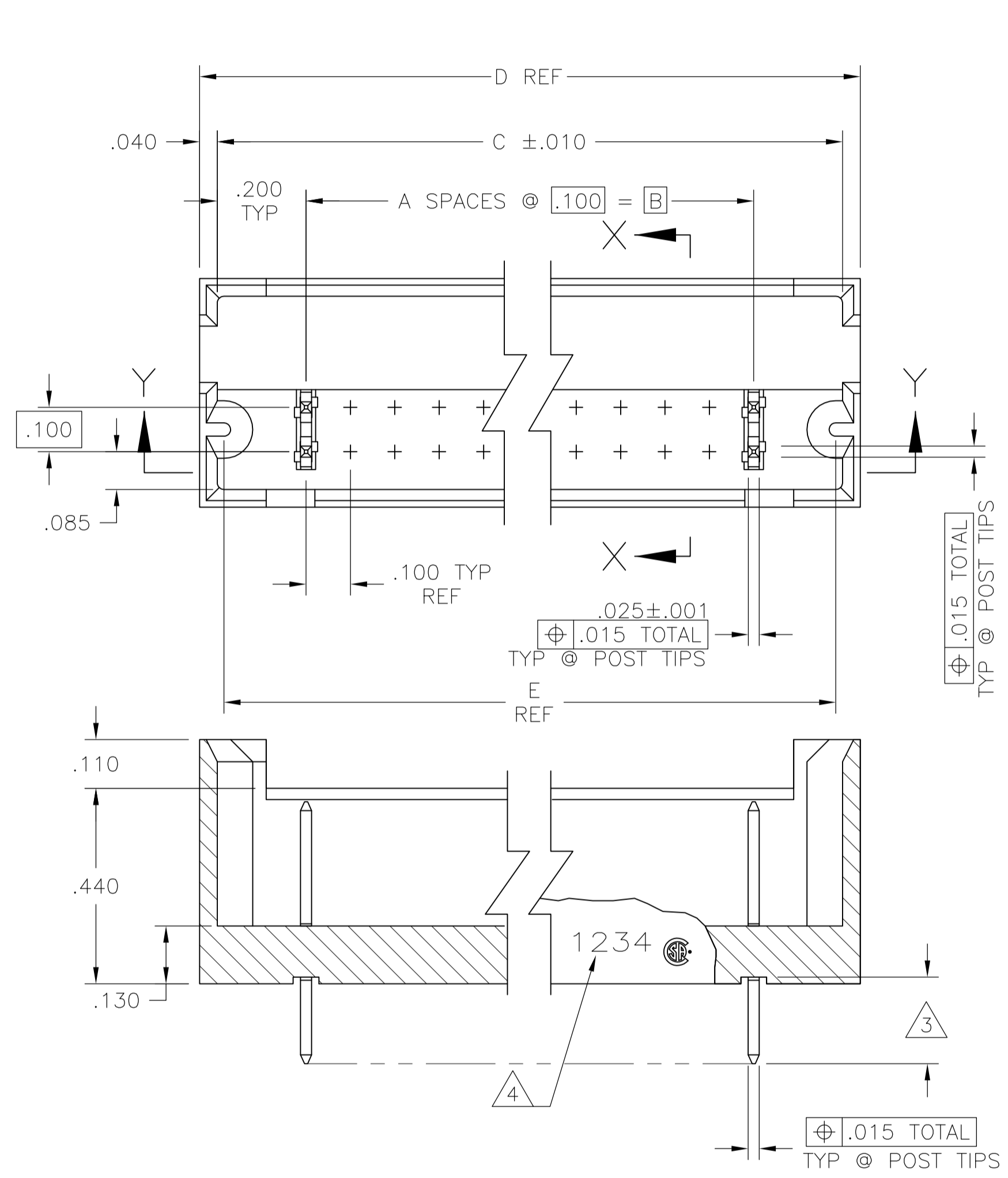


LOC		DIST		REVISIONS			
F	LTR	PER	ECO	DATE	DN	APVD	
LS	REVISED	PER	ECO-13-015097	25SEP2013	KH	JO	



- 1 POINT OF MEASUREMENT FOR PLATING THICKNESS.
- 2 FINISH OVER INDICATED AREA: .000030 GOLD OVER .000050 NICKEL.
- 3 FINISH OVER INDICATED AREA: .000100-.000200 BRIGHT TIN LEAD OVER .000050 NICKEL.
- 4 RECESSED DATE CODE AND LOGO.
- 5 OBSOLETE PART NUMBER.
- 6 PRELIMINARY PART - NOT RELEASED FOR PRODUCTION
- 7 FINISH OVER INDICATED AREA: .000100-.000200 MATTE TIN OVER .000050 NICKEL.
- 8 ROHS 2002/95/EC COMPLIANT
- 9 OBSOLETE PARTS: OBSOLETE CIS STREAMLINING PER D.RENAUD/D.SINISI

NO. OF POSN	A	B	C ±.010	D	E	PART NUMBER
12	26	12	1.200	1.600	1.570	7-102692-9
79	160	79	1.900	2.300	8.270	7-102692-8
21	44	21	2.100	2.500	4.970	7-102692-7
6	14	6	.600	1.000	2.470	7-102692-6
89	180	89	1.800	2.200	.970	7-102692-5
73	148	73	1.300	1.700	9.270	7-102692-4
63	128	63	1.300	1.700	7.670	7-102692-3
69	140	69	1.300	1.700	6.670	7-102692-2
64	130	64	1.300	1.700	7.270	7-102692-1
42	86	42	1.200	1.600	6.770	7-102692-0
35	72	35	1.100	1.500	4.570	6-102692-9
14	30	14	1.400	1.800	3.870	6-102692-8
9	20	9	.900	1.300	1.770	6-102692-7
16	16	16	.700	1.100	1.270	6-102692-6
34	70	34	1.400	1.800	1.070	6-102692-5
19	40	19	1.900	2.300	3.770	6-102692-4
49	120	49	1.200	1.600	2.270	6-102692-3
59	100	59	1.000	1.400	4.770	6-102692-2
96	110	96	1.100	1.500	10.270	6-102692-1
80	80	80	1.300	1.700	5.770	6-102692-0
60	60	60	1.200	1.600	6.270	5-102692-9
50	50	50	1.400	1.800	5.270	5-102692-8
36	36	36	1.700	2.100	5.070	5-102692-7
11	24	11	1.100	1.500	4.270	5-102692-6
5	12	5	.500	.900	3.270	5-102692-5
26	26	26	1.200	1.600	2.770	5-102692-4
79	160	79	1.900	2.300	2.070	5-102692-3
21	44	21	2.100	2.500	1.470	5-102692-2
6	14	6	.600	1.000	.870	5-102692-1
89	180	89	1.800	2.200	1.570	2-102692-9
73	148	73	1.300	1.700	8.270	2-102692-8
69	140	69	1.300	1.700	4.970	2-102692-7
64	130	64	1.300	1.700	5.080	2-102692-6
42	86	42	1.200	1.600	2.470	2-102692-5
35	72	35	1.100	1.500	.970	2-102692-4
14	30	14	1.400	1.800	9.270	2-102692-3
9	20	9	.900	1.300	7.670	2-102692-2
16	16	16	.700	1.100	6.780	2-102692-1
34	70	34	1.400	1.800	6.770	2-102692-0
19	40	19	1.900	2.300	4.570	1-102692-9
49	120	49	1.200	1.600	3.870	1-102692-8
59	100	59	1.000	1.400	1.770	1-102692-7
96	110	96	1.100	1.500	1.270	1-102692-6
80	80	80	1.300	1.700	1.070	1-102692-5
60	60	60	1.200	1.600	3.770	1-102692-4
50	50	50	1.400	1.800	2.270	1-102692-3
36	36	36	1.700	2.100	4.770	1-102692-2
11	24	11	1.100	1.500	10.270	1-102692-1
5	12	5	.500	.900	5.770	102692-9
26	26	26	1.200	1.600	6.270	102692-8
79	160	79	1.900	2.300	5.270	102692-7
21	44	21	2.100	2.500	5.070	102692-6
6	14	6	.600	1.000	4.270	102692-5
89	180	89	1.800	2.200	2.770	102692-4
73	148	73	1.300	1.700	2.070	102692-3
69	140	69	1.300	1.700	1.470	102692-2
64	130	64	1.300	1.700	.870	102692-1

THIS DRAWING IS A CONTROLLED DOCUMENT.

APPROVED: J. GESFORD 12NOV98

DESIGNED: J. HAYMAKER 11JAN01

TE Connectivity

HEADER ASSEMBLY, MOD II, .100C.100CL, .025 SQ POSTS

SCALE: 4:1 SHEET 1 OF 1 REV 15

## X-ON Electronics

Largest Supplier of Electrical and Electronic Components

*Click to view similar products for [Board to Board & Mezzanine Connectors](#) category:*

*Click to view products by [TE Connectivity](#) manufacturer:*

Other Similar products are found below :

[589158040000018](#) [MDF7C-18P-2.54DSA\(55\)](#) [FCN-230C068-11](#) [FCN-268F012-G/BD](#) [FCN-268F036-G/BD](#) [FCN-268M012-G/0D](#) [FCN-268M024-G/1D](#) [FCN-723J004/1](#) [MIS-048-01-F-D-DP-K](#) [832-10-034-10-001000](#) [FX4C-80S-1.27DSA](#) [FCN-214Q030-G/0](#) [FCN-234P048-G/0](#) [FCN-235D050-G/C](#) [210-93-314-41-105000](#) [2-22603-0](#) [MDF7-40DP-2.54DSA\(55\)](#) [AXG720047](#) [5031084030](#) [MIT-114-03-F-D-K](#) [55323-1519](#) [DF33-2P-3.3DSA\(24\)](#) [YFT-20-05-H-03-SB-K](#) [503308-3040](#) [026-6203-PDB](#) [027-6203-PDB](#) [069159702701000](#) [10123981-102LF](#) [101A10019X](#) [55650-0588-C](#) [68682-310LF](#) [68684-306](#) [75140-7012](#) [87471-650](#) [194261-1](#) [FCN-268F024-G0D](#) [10124054-515LF](#) [68685-603](#) [8-1616154-3](#) [MIS-019-01-F-D](#) [FCN-268M024-G/3D](#) [20021832-06016C1LF](#) [KX15-20KLDL-E1000E](#) [MDF7-16DP-2.54DSA\(55\)](#) [AXE810124](#) [FCN-214J100-G/0](#) [FCN-230C068-E/S](#) [AXE812124](#) [AXE816124](#) [AXE720127](#)