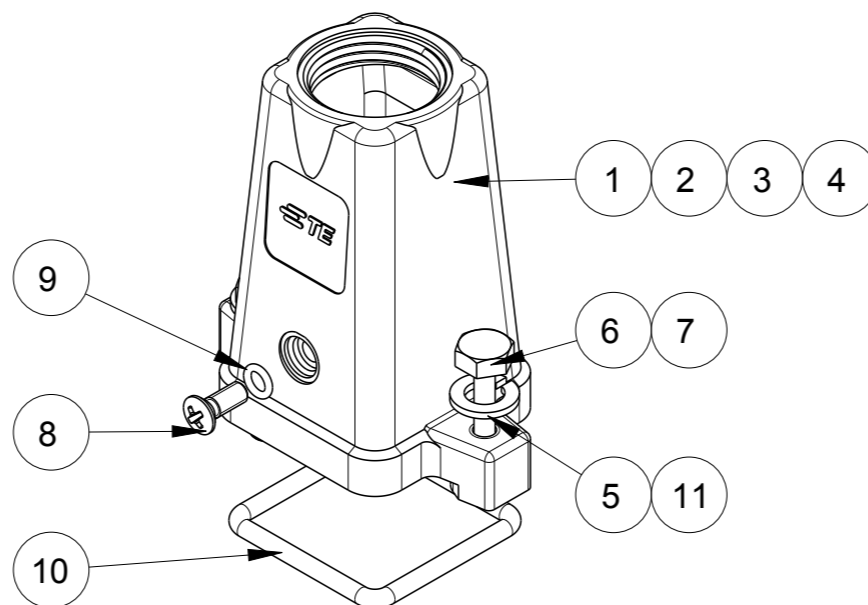
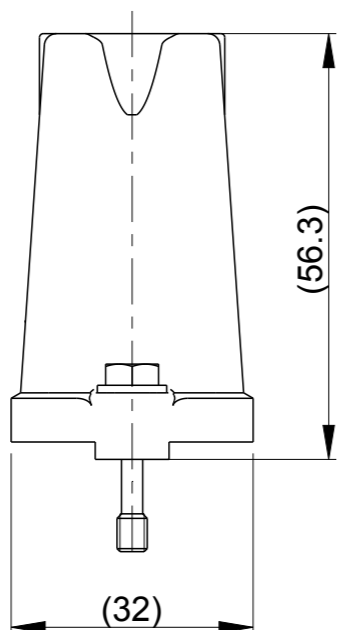
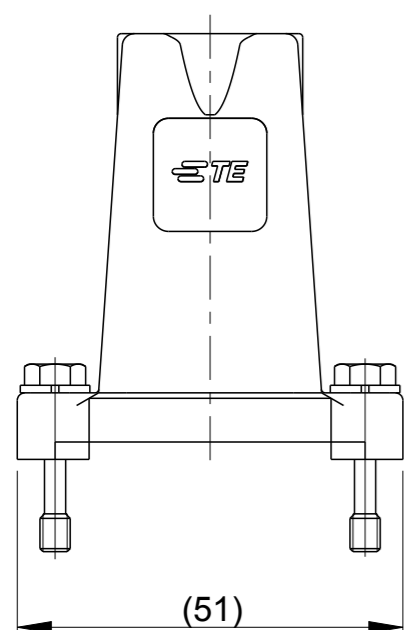


REVISIONS

P	LTR	DESCRIPTION	DATE	DWN	APVD
A13		ECR-10-009363	29APR2010	RO	BR
B		ECR-16-001855	29FEB2016	GCM	JB
C		ECR-16-014579	25APR2016	GCM	JB
C1		ECR-17-014011	16JAN2018	RSM	MKO

Notes

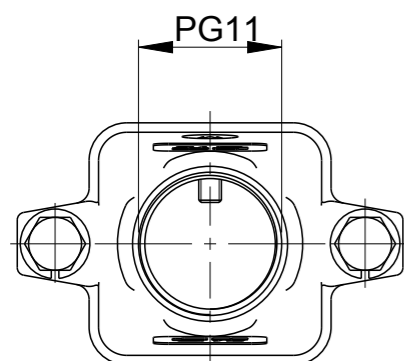
- 1 SUITABLE HOUSINGS: SERIES EMV, SIZE 1  
CUSTOMER DRAWING 1102703, 1102702
- 2 STANDARDS: DIN EN 61984, DIN EN 60664-1
- 3 CHROMIT AL TCP PASSIVATION
- 4 TOOLS: PHILLIPS SCREWDRIVER PH1  
HEXAGON SCREWDRIVER 7mm
- 5 VARNISH ON INSIDE AREA NOT NECESSARY
- 6 PACKAGING: 10 SETS IN A CARTON, PRE-MOUNTED



PN 0-3 AS SHOWN


OBSOLETE

0-1102700-5	EMV-K.3/4.STO.1.11.G
0-1102700-4	EMV.3/4.STO.1.11.G
0-1102700-1	EMV-K.3/4.STO.1.11.G
4-1102700-5	EMV.3/4.STO.1.11.G
3-1102700-5	EMV-K.3/4.STO.1.11.G
PART NO.	ORDERING TEXT



0-5	0-4	0-1	4-5	3-5	DESCRIPTION	MATERIAL	COLOR/SURFACE	NOTE	ITEM
2	2	2	-	-	WASHER, PLAIN	STAINL. STEEL	BLANK	A4, DIN EN ISO 7989, 200HV (V4A)	11
-	-	-	-	-	O-RING	FKM	BLACK	28x2.5 din 3771	10
1	1	1	1	1	O - RING	NBR	BLACK	3.0x1.0	9
1	1	1	1	1	SCREW COUNTERSUNK RAISED HEAD	STAINL. STEEL	V2A	M3x8 PH1 DIN EN ISO 7047	8
2	2	2	-	-	SCREW, HEXAGON BOLT	STAINL. STEEL	BLANK	M4x22 DIN EN ISO 7964, RED. SHUNK (V4A)	7
-	-	-	2	2	SCREW, HEXAGON BOLT	STAINL. STEEL	BLANK	M4x22 DIN EN ISO 7964, REDUCED SHUNK	6
-	-	-	2	2	WASHER, PLAIN	STAINL. STEEL	BLANK	A4, DIN EN ISO 7989, 200HV	5
-	-	-	-	-	CONNECTOR HOUSING	ALU ALLOY	BLACK $\triangle_3$	SERIES EMV-K WE LOGO	4
-	-	1	-	-	CONNECTOR HOUSING	ALU ALLOY	SILVER $\triangle_3$	SERIES EMV-K	3
1	-	-	1	-	CONNECTOR HOUSING	ALU ALLOY	BLACK $\triangle_3$	SERIES EMV-K	2
-	1	-	-	1	CONNECTOR HOUSING	ALU ALLOY	GREY	SERIES EMV	1

PARTS LIST (PER ONE UNIT)

THIS DRAWING IS A CONTROLLED DOCUMENT.		DWN V.GLUMM 18AUG2009	 TE Connectivity	<b>CONNECTOR HOUSING ASS'Y, TOP ENTRY</b> <b>SERIES EMV, SIZE 1</b> <b>STEEL CONDUIT THREAD</b>										
DIMENSIONS: mm		CHK H.Braun 18AUG2009												
TOLERANCES UNLESS OTHERWISE SPECIFIED:		APVD T.Schnurpfeil 18AUG2009												
<table border="0"> <tr><td>0 PLC</td><td>±-</td></tr> <tr><td>1 PLC</td><td>±-</td></tr> <tr><td>2 PLC</td><td>±-</td></tr> <tr><td>3 PLC</td><td>±-</td></tr> <tr><td>4 PLC</td><td>±-</td></tr> <tr><td>ANGLES</td><td>±1°</td></tr> </table>		0 PLC				±-	1 PLC	±-	2 PLC	±-	3 PLC	±-	4 PLC	±-
0 PLC	±-													
1 PLC	±-													
2 PLC	±-													
3 PLC	±-													
4 PLC	±-													
ANGLES	±1°													
MATERIAL		APPLICATION SPEC 114-74017	NAME	SIZE	CAGE CODE	DRAWING NO	RESTRICTED TO							
		WEIGHT	A3		00779	C-1102700								
CUSTOMER DRAWING			SCALE	1:1	SHEET	1 OF 1	REV							
			C1											

## X-ON Electronics

Largest Supplier of Electrical and Electronic Components

*Click to view similar products for [Heavy Duty Power Connectors](#) category:*

*Click to view products by [TE Connectivity](#) manufacturer:*

Other Similar products are found below :

[647757-1](#) [6643411-1](#) [6646058-2](#) [6646137-1](#) [6646138-1](#) [6646479-1](#) [6646608-1](#) [6646786-1](#) [6646940-1](#) [6651091-1](#) [6651525-1](#) [6651529-1](#)  
[6651788-1](#) [696475-1](#) [702-32-01109](#) [703-25-02205](#) [73000005059](#) [73000005642](#) [73080255059](#) [73080965046](#) [765-15-0080A](#) [765-16-0080B](#)  
[765-18-0080D](#) [829992-1](#) [902-77-02113](#) [PS00/A0620/6300](#) [PS25/A0420/63](#) [129-1J](#) [1409400](#) [AN0024023](#) [E6374G1](#) [e6389g2](#) [157-43GW8](#)  
[MS3117-14AC](#) [1643543-1](#) [1650540-1](#) [1651811-2](#) [1766260-1](#) [1766282-1](#) [1766966-1](#) [1791340000](#) [NLDFT-3-BL-L-S120-M40A](#) [NLDFT-N-](#)  
[W-L-C240-M40B](#) [NLS-2-R-C240-M40B](#) [NLS-N-W-C240-M40B](#) [NPS-3-BL-T6](#) [1986615-1](#) [2-1589900-8](#) [2199314-1](#) [KA8102](#)