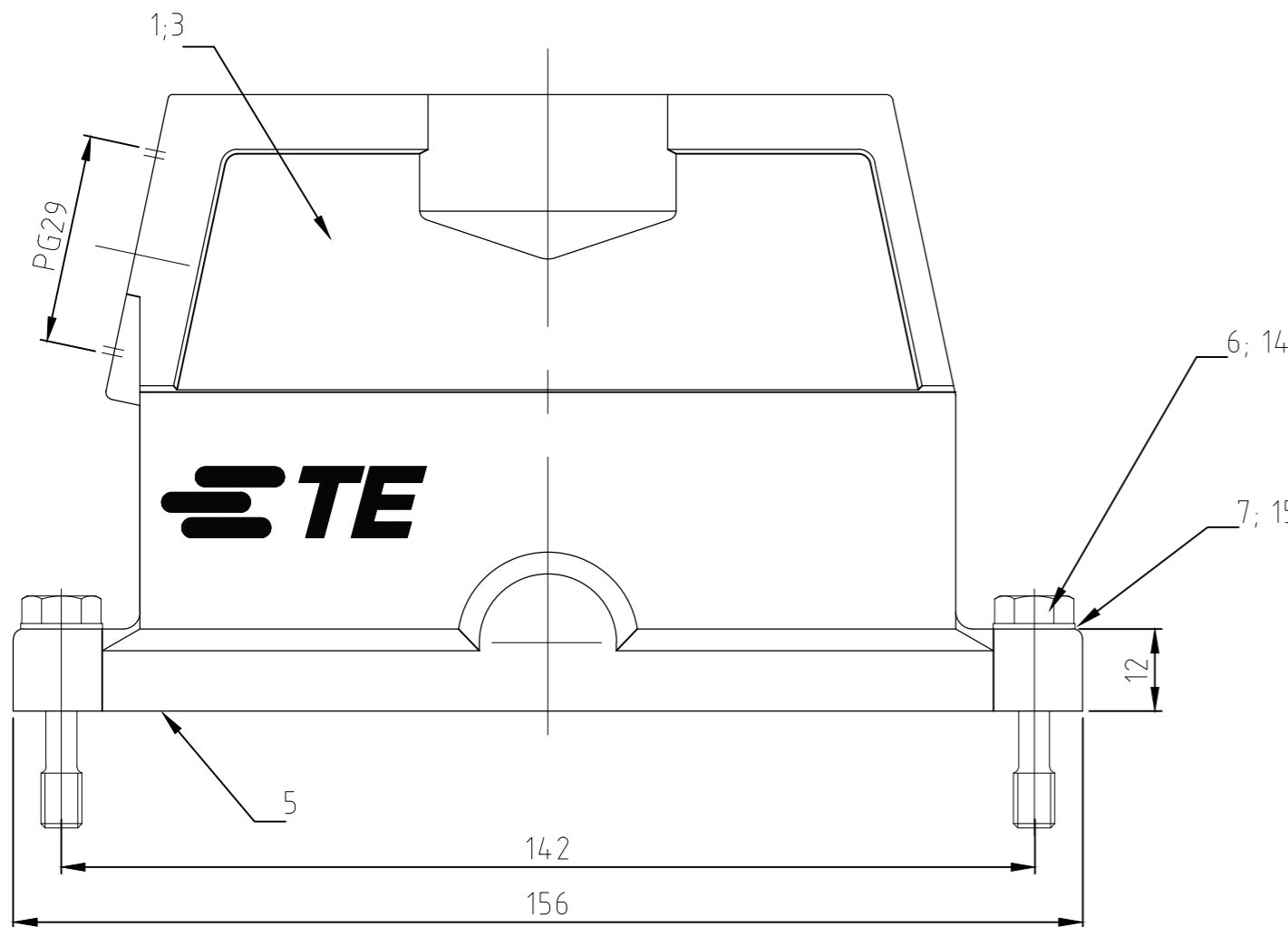
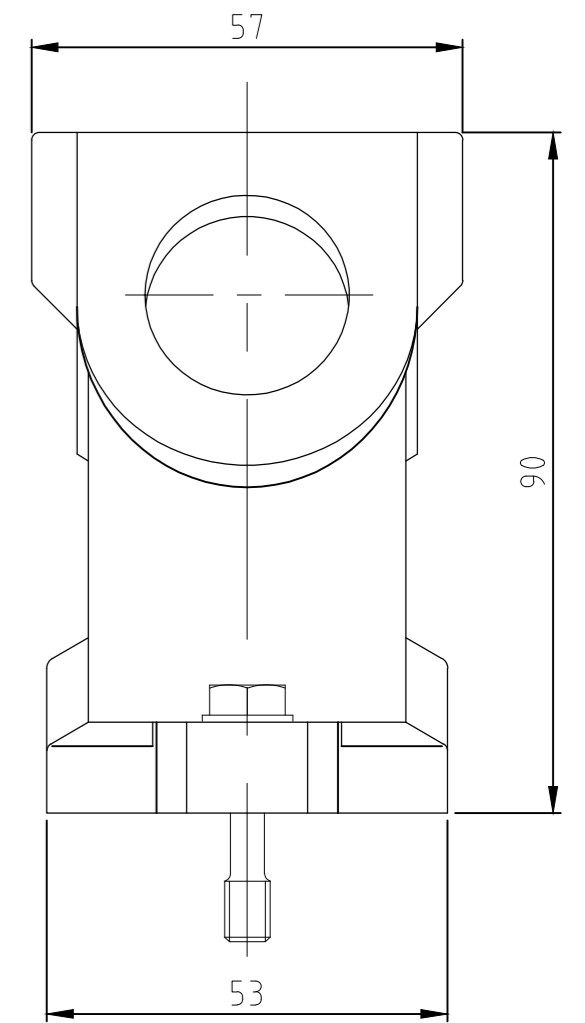
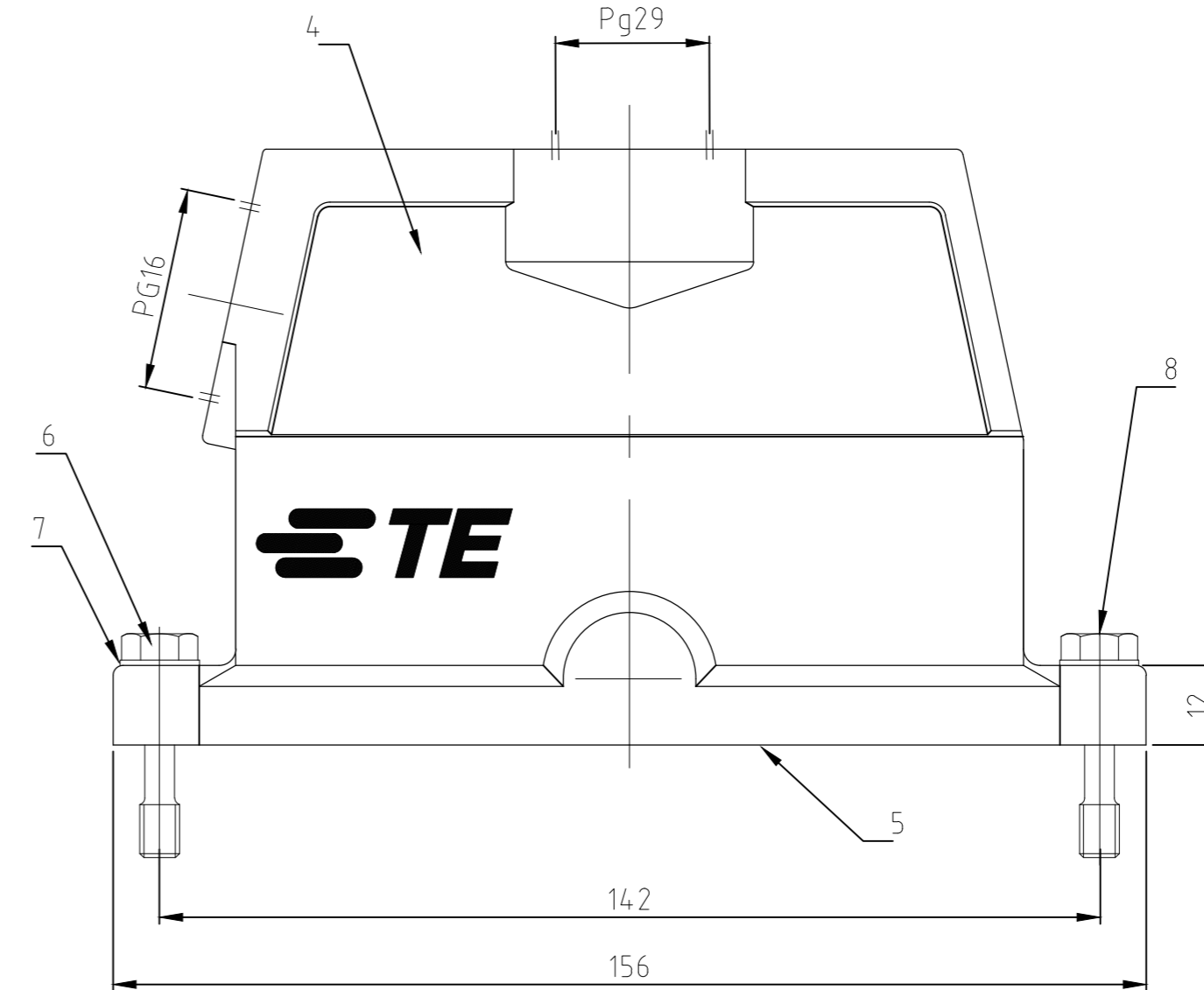
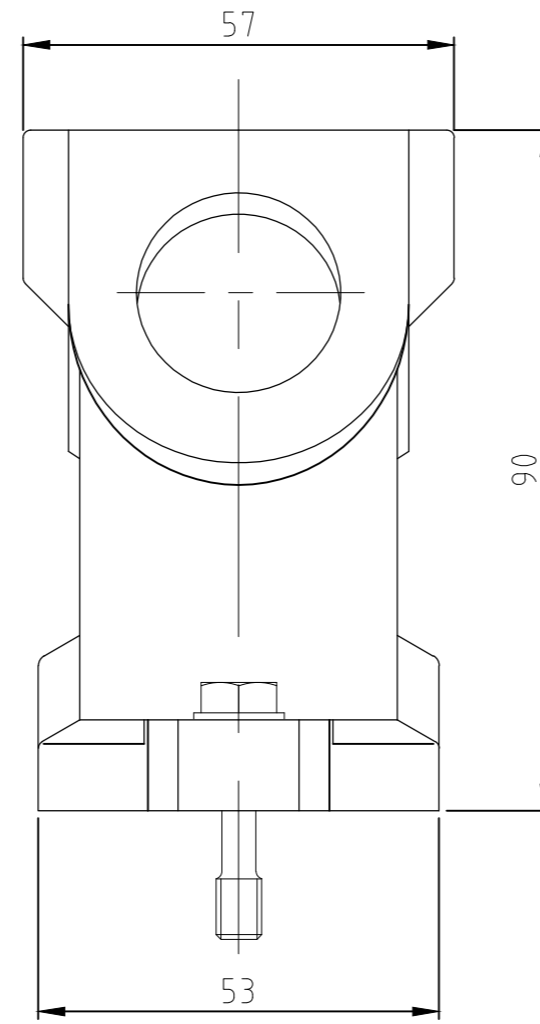
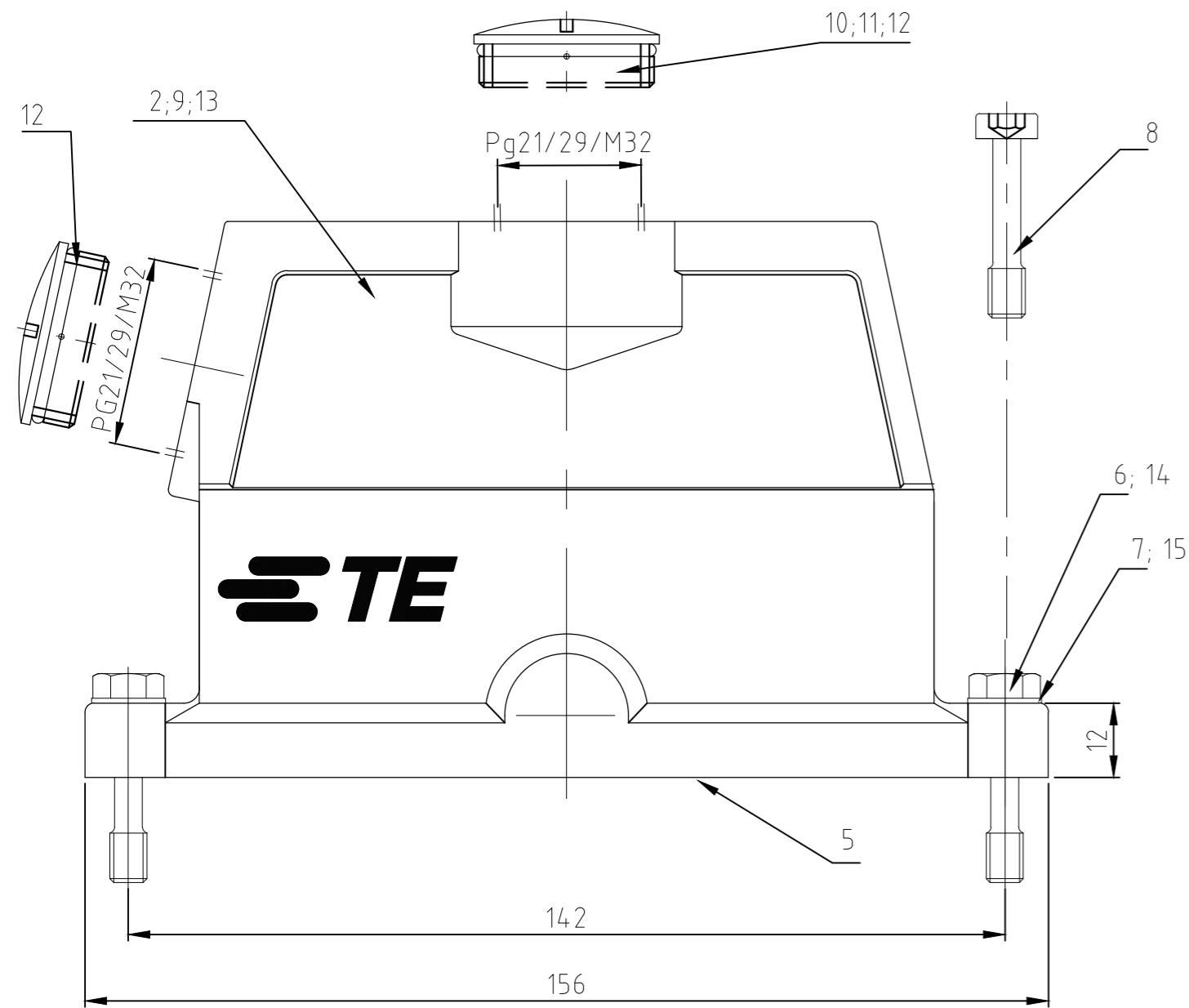


| REVISIONS<br>ÄNDERUNGEN |     |                             |           |     |      |
|-------------------------|-----|-----------------------------|-----------|-----|------|
| P                       | LTR | DESCRIPTION<br>BESCHREIBUNG | DATE      | DWN | APVD |
| C                       |     | ECR-20-009602               | 09JUL2020 | SB  | JB   |



| QTY | DESCRIPTION / BENENNUNG          | MATERIAL          | SURFACE/OBERFLÄCHE       | COLOR/FARBE    | ITEM NO. | REMARKS / BEMERKUNGEN                           |
|-----|----------------------------------|-------------------|--------------------------|----------------|----------|---|
| 2   | Scheibe/Pane                     | V4A/stainl. steel | blank/blank              |                | 15       |   |
| 2   | Allen screw                      | V4A/stainl. steel | blank/blank              |                | 14       | M6x30   |
| 1   | Steckergehäuse EMV/hood          | Aluminium/Alu     |                          | unvarnished    | 13       | spot face 1.5mm                                 |
|     | Blindstopfen Pg29/blanking piece | Plastic           | natur                    |                | 12       | (PN 0-4 und 0-7 als STS) / (PN 0-5 als ST0+STS) |
|     | O-Ring Pg29                      | Neoprene          |                          | black/schwarz  | 11       |   |
|     | Blindstopfen Pg29/blanking piece | MS/brass          | vernickelt/nickel plated | blau/blue      | 10       | for ST0   |
|     | Plug housing EMV/hood            | Aluminium/Alu     |                          | white aluminum | 9        | ST0.129+STS.129                                 |
|     | Allen screw                      | V2A/stainl. steel | blank/blank              |                | 8        |   |
|     | Scheibe/Pane                     | V2A/stainl. steel | blank/blank              |                | 7        |   |
|     | Allen screw                      | V2A/stainl. steel | blank/blank              |                | 6        | M6x30   |
|     | Dichtung/seal                    | Neoprene          |                          | black/schwarz  | 5        | conductive                                      |
|     | Plug housing EMV/hood            | Aluminium/Alu     |                          | grey/grau      | 4        |   |
|     | Plug housing EMV/hood            | Aluminium/Alu     | SEE NOTE 2               | black/schwarz  | 3        |   |
|     | Plug housing EMV/hood            | Aluminium/Alu     |                          | grey/grau      | 2        |   |
|     | Plug housing EMV/hood            | Aluminium/Alu     |                          | grey/grau      | 1        |   |

| QTY | DESCRIPTION / BENENNUNG         | MATERIAL | SURFACE/OBERFLÄCHE | COLOR/FARBE | ITEM NO. | REMARKS / BEMERKUNGEN |
|-----|---------------------------------|----------|--------------------|-------------|----------|-----------------------|
| 1-8 | EMV-24-64-ST0.1M4-0-G           |          |                    |             |          |                       |
| 1-7 | EMV-24-64-ST0.1M4-0-G           |          |                    |             |          |                       |
| 1-5 | EMV-24-64-ST0.1M32-G            |          |                    |             |          |                       |
| 1-4 | EMV-24-64-ST0.1M32-G            |          |                    |             |          |                       |
| 1-3 | EMV-24-64-ST0.1M32-G            |          |                    |             |          |                       |
| 1-2 | EMV-24-64-ST0.1M32-G            |          |                    |             |          |                       |
| 1-1 | EMV-24-64-ST0.121G-ST5-121G     |          |                    |             |          |                       |
| 1-0 | EMV-24-64-ST0.129-G-ST5-129-G   |          |                    |             |          |                       |
| 0-9 | EMV-K-24-76-ST0.129-G           |          |                    |             |          |                       |
| 0-8 | EMV-K-24-76-ST5-129-G           |          |                    |             |          |                       |
| 0-7 | EMV-K-24-76-ST0.129-G-ST5-129-G |          |                    |             |          |                       |
| 0-6 | EMV-24-76-ST0.129-G-ST5-129-G   |          |                    |             |          |                       |
| 0-5 | EMV-24-76-ST0.129-G-ST5-129-G   |          |                    |             |          |                       |
| 0-4 | EMV-24-76-ST0.129-G-ST5-129-G   |          |                    |             |          |                       |
| 0-3 | EMV-24-76-ST0.129-G-ST5-129-G   |          |                    |             |          |                       |
| 0-2 | EMV-24-76-ST0.129-G-ST5-129-G   |          |                    |             |          |                       |
| 4-5 | EMV-K-24-76-ST5-129-G           |          |                    |             |          |                       |
| 5-0 | EMV-24-76-ST5-129-G             |          |                    |             |          |                       |
| 0-1 | EMV-24-76-ST5-129-G-ST0-129-G   |          |                    |             |          |                       |

| QTY | DESCRIPTION / BENENNUNG | MATERIAL      | SURFACE/OBERFLÄCHE | COLOR/FARBE   | ITEM NO. | REMARKS / BEMERKUNGEN |
|-----|-------------------------|---------------|--------------------|---------------|----------|-----------------------|
| 1   | Dichtung/seal           | Neoprene      |                    | black/schwarz | 5        | conductive            |
| 1   | Plug housing EMV/hood   | Aluminium/Alu |                    | grey/grau     | 4        |                       |
| 1   | Plug housing EMV/hood   | Aluminium/Alu | SEE NOTE 2         | black/schwarz | 3        |                       |
| 1   | Plug housing EMV/hood   | Aluminium/Alu |                    | grey/grau     | 2        |                       |
| 1   | Plug housing EMV/hood   | Aluminium/Alu |                    | grey/grau     | 1        |                       |

| QTY | DESCRIPTION / BENENNUNG | MATERIAL          | SURFACE/OBERFLÄCHE | COLOR/FARBE | ITEM NO. | REMARKS / BEMERKUNGEN |
|-----|-------------------------|-------------------|--------------------|-------------|----------|-----------------------|
| 2   | Scheibe/Pane            | V2A/stainl. steel | blank/blank        |             | 7        |                       |
| 2   | Allen screw             | V2A/stainl. steel | blank/blank        |             | 6        | M6x30                 |

| QTY | DESCRIPTION / BENENNUNG | MATERIAL      | SURFACE/OBERFLÄCHE | COLOR/FARBE   | ITEM NO. | REMARKS / BEMERKUNGEN |
|-----|-------------------------|---------------|--------------------|---------------|----------|-----------------------|
| 1   | Dichtung/seal           | Neoprene      |                    | black/schwarz | 5        | conductive            |
| 1   | Plug housing EMV/hood   | Aluminium/Alu |                    | grey/grau     | 4        |                       |
| 1   | Plug housing EMV/hood   | Aluminium/Alu | SEE NOTE 2         | black/schwarz | 3        |                       |
| 1   | Plug housing EMV/hood   | Aluminium/Alu |                    | grey/grau     | 2        |                       |
| 1   | Plug housing EMV/hood   | Aluminium/Alu |                    | grey/grau     | 1        |                       |

- Notes:
- Surface: Varnish grey  
Varnish black  
chromiAL TCP passivation
  - Varnish on the inside not necessarily
  - Packaging quantity 5 pieces

- Bemerkungen:
- Surface: Lackierung grau  
Lackierung grau  
chromiAL TCP passivation
  - Lackierung im Gehäuseinnere ist nicht notwendig
  - Verpackungsmenge 5 Stück

THIS DRAWING IS A CONTROLLED DOCUMENT.  
DIESE ZEICHNUNG IST EIN KONTROLLIERTES DOKUMENT.

DIMENSIONS: MASSENHETEN mm  
TOLERANCES, UNLESS OTHERWISE SPECIFIED: ALLGEMEINTOLERANZEN: 0 PLC ± 0.150 2PLC ± 0.200 3 PLC ± 0.250 4 PLC ± 0.300 ANGLES / WINKEL ± °

MATERIAL: -  
FINISH / OBERFLÄCHE / FARBE: -

ORDERING TEXT / BESTELLTTEXT: -

DWN Schneider 19.02.1999  
CHK Schneider 19.02.1999  
APVD -

NAME: Hood EMV size8  
Plug housing EMV Bg8

SIZE: A2  
CAGE CODE: 00779  
DRAWING NO. / ZEICHNUNGS-NR.: C=1102755  
SCALE: 1:1  
SHEET / BLATT: 1 OF 1  
REV: C

CUSTOMER DRAWING / KUNDENZEICHNUNG

## X-ON Electronics

Largest Supplier of Electrical and Electronic Components

*Click to view similar products for [Heavy Duty Power Connectors](#) category:*

*Click to view products by [TE Connectivity](#) manufacturer:*

Other Similar products are found below :

[647757-1](#) [6643411-1](#) [6646058-2](#) [6646137-1](#) [6646138-1](#) [6646479-1](#) [6646608-1](#) [6646786-1](#) [6646940-1](#) [6651091-1](#) [6651525-1](#) [6651529-1](#)  
[6651788-1](#) [696475-1](#) [702-32-01109](#) [703-25-02205](#) [73000005059](#) [73000005642](#) [73080255059](#) [73080965046](#) [765-15-0080A](#) [765-16-0080B](#)  
[765-18-0080D](#) [829992-1](#) [902-77-02113](#) [PS00/A0620/6300](#) [PS25/A0420/63](#) [129-1J](#) [1409400](#) [AN0024023](#) [E6374G1](#) [e6389g2](#) [157-43GW8](#)  
[MS3117-14AC](#) [1643543-1](#) [1650540-1](#) [1651811-2](#) [1766260-1](#) [1766282-1](#) [1766966-1](#) [1791340000](#) [NLDFT-3-BL-L-S120-M40A](#) [NLDFT-N-](#)  
[W-L-C240-M40B](#) [NLS-2-R-C240-M40B](#) [NLS-N-W-C240-M40B](#) [NPS-3-BL-T6](#) [1986615-1](#) [2-1589900-8](#) [2199314-1](#) [KA8102](#)