

REVISIONS				
P	LTN	DESCRIPTION	DATE	APPV
B3	ECR-11-005515		21MAR2011	SR AR
B4	ECR-11-018047		08SEP11	RK MKO
B5	ECR-16-009335		08DEC2016	GCM MKO
B6	REVISED PER ECR-17-014011		17JAN2018	SRG MKO

- NOTES
- 1 MATERIAL:SEE THE TABLE
 - 2 SURFACE:SEE THE TABLE
 - 3 PACKAGING QUANTITY: 3 PIECES IN A BOX

QTY	DESCRIPTION	MATERIAL	SURFACE	COLOR	ITEM NO	NOTE												
4	WASHER	V2A			15	B6.4												
4	SCREW	V2A			14	M6x30												
1	HOOD HIP/EMV	Al.Leg 231	SUR TEC 650 CHROMIT AL TCP PASSIVATION	BLACK	13	THREAD 3xM25												
1	HOOD HIP/EMV	Al.Leg 231	SUR TEC 650 CHROMIT AL TCP PASSIVATION	BLACK	12	THREAD 1xM63												
1	HOOD HIP/EMV	Al.Leg 231	SUR TEC 650 CHROMIT AL TCP PASSIVATION	BLACK	11	THREAD 5xM40												
1	HOOD HIP/EMV	Al.Leg 231	HARD COAT	BLACK	10	THREAD 1xM63												
1	HOOD HIP/EMV	Al.Leg 231	HARD COAT	BLACK	9													
1	HOOD HIP/EMV	Al.Leg 231	SUR TEC 650 CHROMIT AL TCP PASSIVATION	BLACK	8													
1	HOOD HIP/EMV	Al.Leg 231	HARD COAT	BLACK	7	THREAD 4xM32												
1	HOOD HIP/EMV	Al.Leg 231	SUR TEC 650 CHROMIT AL TCP PASSIVATION	BLACK	6	THREAD 4xM32												
1	HOOD HIP/EMV	Al.Leg 231	HARD COAT	BLACK	5	THREAD 2xM50+1.M20.G												
1	HOOD HIP/EMV	Al.Leg 231	SUR TEC 650 CHROMIT AL TCP PASSIVATION	BLACK	4	THREAD 2xM50+1.M20.G												
1	HOOD HIP/EMV	Al.Leg 231	HARD COAT	BLACK	3	THREAD 2xM40+1.M20.G												
1	HOOD HIP/EMV	Al.Leg 231	SUR TEC 650 CHROMIT AL TCP PASSIVATION	BLACK	2	THREAD 2xM40+1.M20.G												
1	HOOD HIP/EMV	Al.Leg 231	SUR TEC 650 CHROMIT AL TCP PASSIVATION	BLACK	1	THREAD 4xM25												
1-5	1-2	1-1	1-0	0-9	0-8	0-7	0-6	0-5	0-4	0-3	0-2	0-1	DESCRIPTION	MATERIAL	SURFACE	COLOR	ITEM NO	NOTE
													HF-EMVK12.STO.2M40G+1.M20G					
													HF-HIPK12.STO.2M40G+1.M20G					
													HF-EMVK12.STO.2M50G+1.M20G					
													HF-HIPK12.STO.2M50G+1.M20G					
													HF-EMVK12.STO.4M32G					
													HF-HIPK12.STO.4M32G					
													HF-EMVK12.STO.4M25G					
													HF-EMV-K.12.ST-WE					
													HF-HIP-K.12.ST-WE					
													HF-HIPK12.STO.1M63G					
													HF-EMVK12.STO.5M40G					
													HF-EMVK12.STO.1M63G					
													HF-EMV-K.12.STO.3.M25.G					

THIS DRAWING IS A CONTROLLED DOCUMENT. DWG: SCHNEIDER 18.05.2006
 CHK: H.BRAUN 09.09.2001
 APV: T.SCHNURPEIL 09.09.2001

TE Connectivity

NAME: HOOD SERIES HF SIZE 12

PRODUCT SPEC: 108-74XXX

APPLICATION SPEC: 116-74XXX

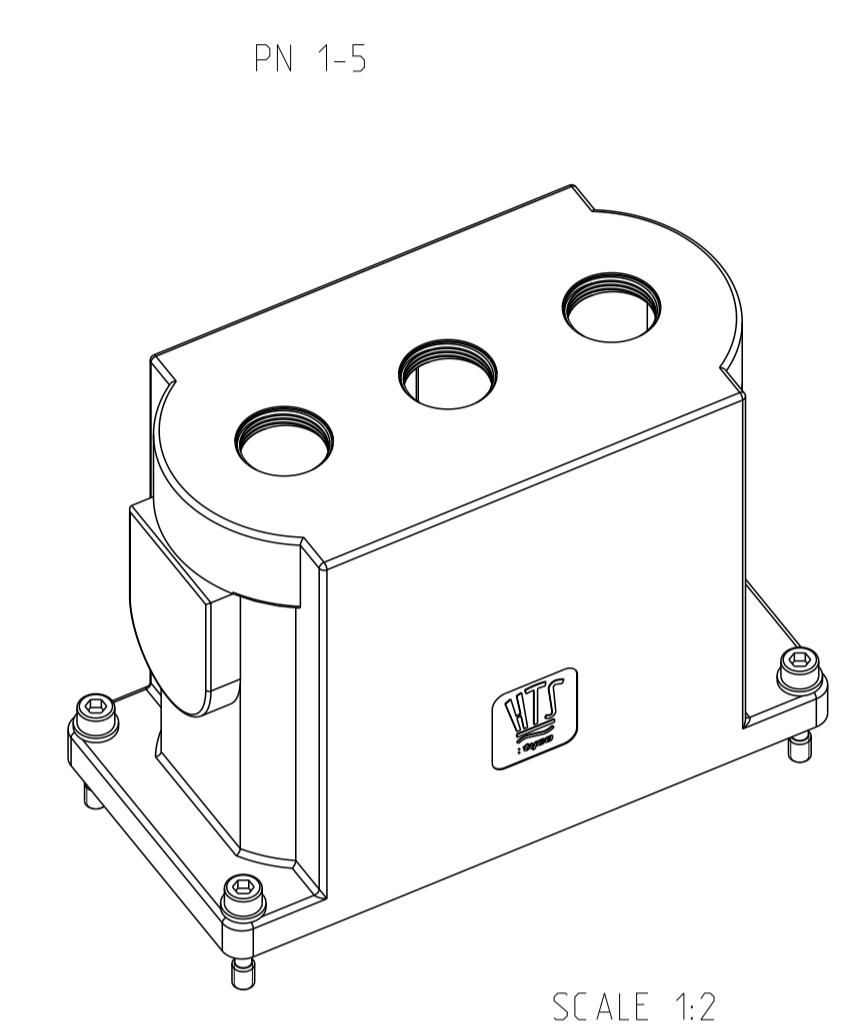
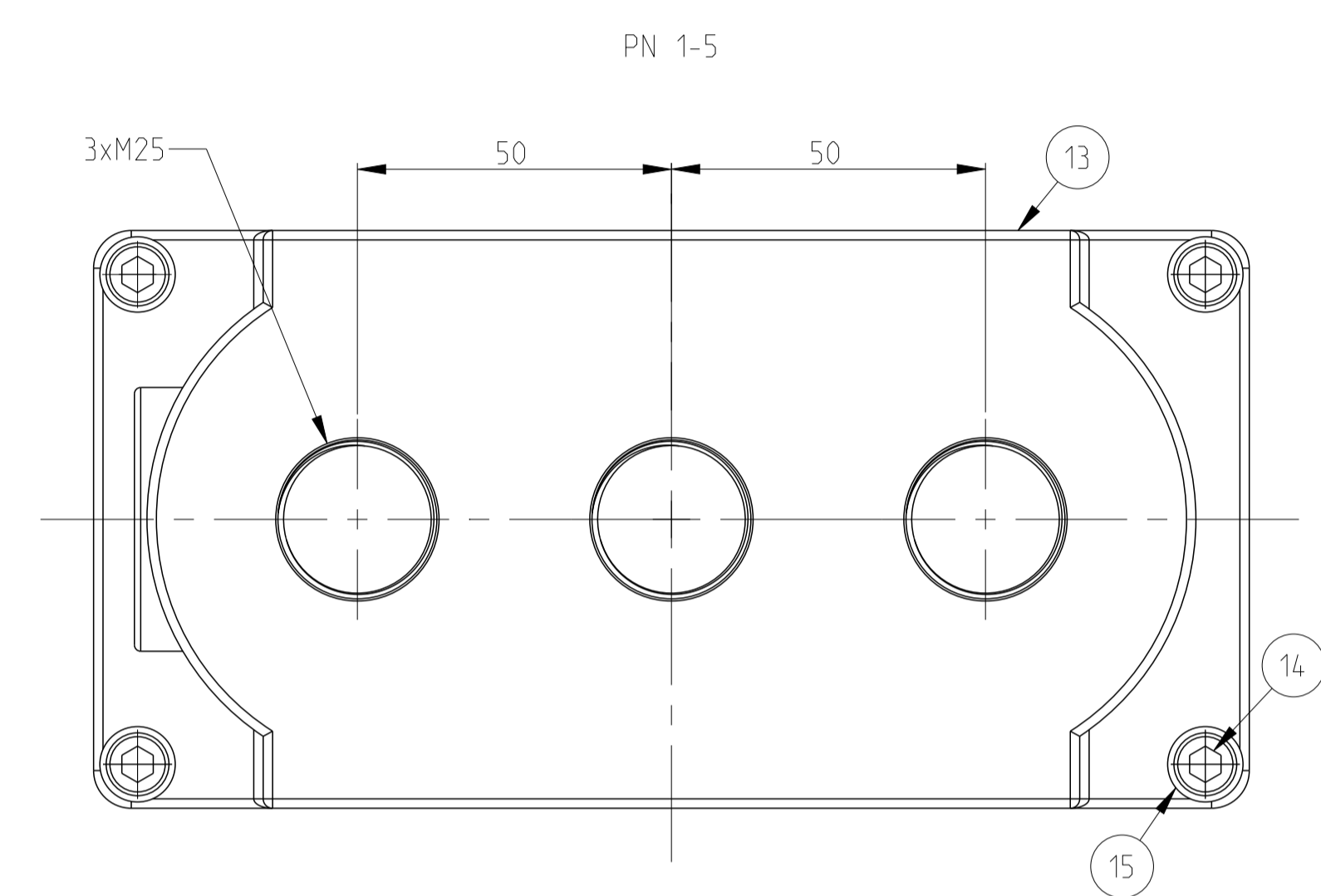
SIZE: A1 CAGE CODE: 0079 DRAWING NO: C=1102840

RESTRICTED TO: 1 OF 2

SCALE: 5:1 SHEET: 1 OF 2 REV: B6

THIS DRAWING IS UNPUBLISHED. RELEASED FOR PUBLICATION 2000
 © COPYRIGHT 2000 ALL RIGHTS RESERVED.

REVISIONS				
P.	LTN	DESCRIPTION	DATE	APVD
-		SEE SHEET 1	-	-



THIS DRAWING IS A CONTROLLED DOCUMENT.		DWN SCHNEIDER 16.05.2006 CHK H.BRAUN 09.09.2001		
DIMENSIONS: mm	TOLERANCES UNLESS OTHERWISE SPECIFIED: mm (INCH)	APVD T.SCHNURPFEL 09.09.2001 PRODUCT SPEC 108-74.XXX APPLICATION SPEC 116-74.XXX WEIGHT -	NAME HOOD SERIES HF SIZE 12 -	RESTRICTED TO
	0 PLC ± 1 PLC ± 2 PLC ± 3 PLC ± 4 PLC ± ANGLES ±° FINISH ±	MATERIAL - FINISH -	SIZE A1 CAGE CODE 0079 DRAWING NO C=1102840	SCALE 5:1 SHEET 2 OF 2 REV B6
		CUSTOMER DRAWING		

X-ON Electronics

Largest Supplier of Electrical and Electronic Components

Click to view similar products for [Heavy Duty Power Connectors](#) category:

Click to view products by [TE Connectivity](#) manufacturer:

Other Similar products are found below :

[1424439](#) [1424438](#) [09330062652](#) [605601-1](#) [6340G1](#) [6341G1](#) [6360G1](#) [6373G1](#) [6374g2](#) [6396G1](#) [647757-1](#) [6643411-1](#) [6646058-2](#) [6646137-1](#)
[6646138-1](#) [6646348-1](#) [6646479-1](#) [6646608-1](#) [6646786-1](#) [6646940-1](#) [6651525-1](#) [6651529-1](#) [6651778-1](#) [6651788-1](#) [696465-1](#) [696475-1](#)
[73000005059](#) [73000005349](#) [73000005642](#) [73080965046](#) [765-15-0080A](#) [765-16-0080B](#) [789.700-44](#) [789.700-54](#) [80-1010](#) [80-9](#) [827381-1](#)
[829992-1](#) [902-77-02113](#) [PL00U-301-10D10](#) [PM103MOOLOO](#) [PM212MOOLOO](#) [PM309FOOLOO](#) [PM324FOOLCH](#) [PMHPAF11S03](#)
[PMHPAF14S01](#) [PMHPAM14P05](#) [PMHPAS06](#) [PMHPBF14S01](#) [PP45PC12S](#)