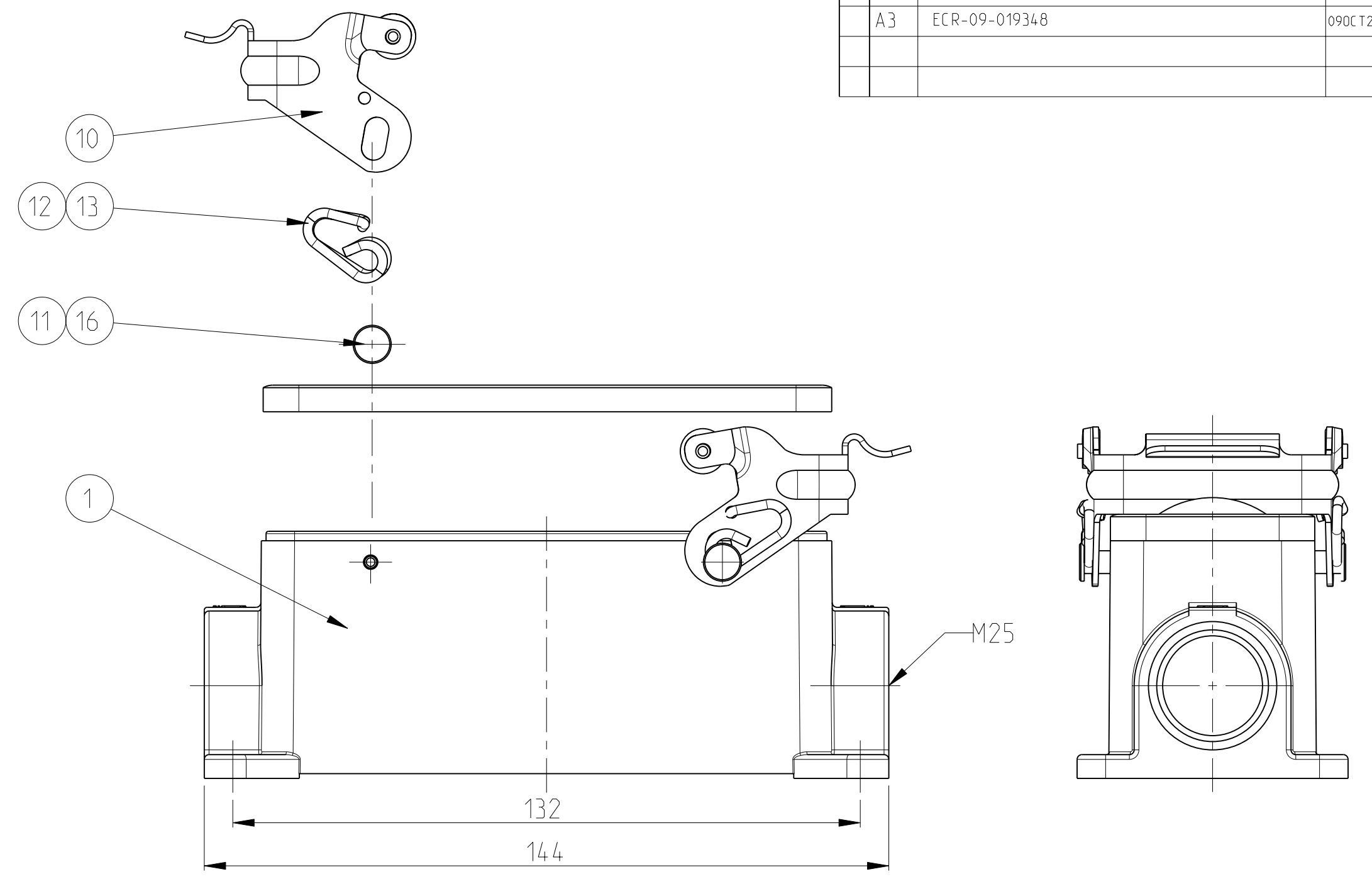
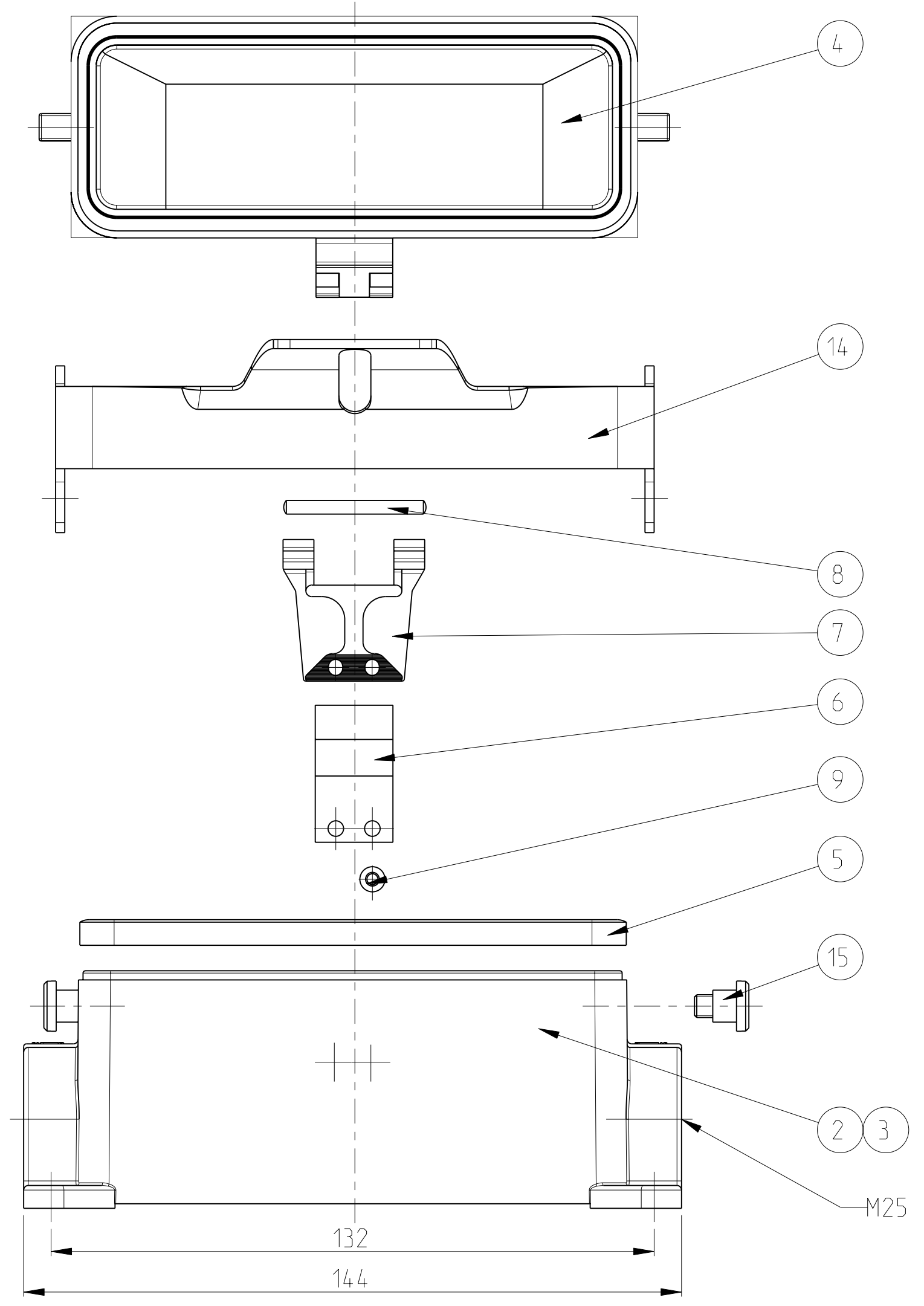


THIS DRAWING IS UNPUBLISHED. RELEASED FOR PUBLICATION 2006
 © COPYRIGHT 2006 BY TYCO ELECTRONICS CORPORATION. ALL RIGHTS RESERVED.

| LOC | DIST | REVISIONS | | | | | |
|-----|------|-----------|-----|---------------|------------|-----|------|
| A1 | - | P | LTR | DESCRIPTION | DATE | DWN | APVD |
| | | A2 | | ECR-09-013545 | 04 JUN2009 | SR | AR |
| | | A3 | | ECR-09-019348 | 09 OCT2009 | SR | AR |



| QTY | DESCRIPTION | MATERIAL | SURFACE | COLOR | ITEM | NOTES | | |
|-----|------------------------------------|----------------|----------------------|----------|---------|-------|------|-------|
| 4 | CLIP BOLT | STEEL | ZINC PLATED | BLUE | | | | |
| 2 | CLIP POSITIONER | STEEL | ZINC PLATED | BLUE | | | | |
| 1 | SIDE CLIP | STEEL | ZINC PLATED | BLUE | | | | |
| 2 | CLIP SPRING RIGHT | STEEL | ZINC PLATED | BLUE | | | | |
| 2 | CLIP SPRING LEFT | STEEL | ZINC PLATED | BLUE | | | | |
| 4 | CLIP POSITIONER | STEEL | ZINC PLATED | BLUE | | | | |
| 2 | LOCKING CLIP | STEEL | ZINC PLATED | BLUE | 10 | PG29 | | |
| 2 | ZYLINDER SCREW | SAINLESS STEEL | BLANC | | 9 | PG29 | | |
| 1 | GROVED PIN | STEEL | ZINC PLATED | BLANC | 8 | PG29 | | |
| 1 | HINGE | ALUMINIUM | | GREY | 7 | | | |
| 1 | LEAF SPRING | STEEL | ZINC PLATED | BLUE | 6 | | | |
| 1 | 1 PROFILE SEAL | NEOPRENE | | BLACK | 5 | | | |
| 1 | 1 COVER | ALUMINIUM | | GREY | 4 | | | |
| 1 | SURFACE MOUNTED HOUSING SIDE ENTRY | ALUMINIUM | | GREY | 3 | | | |
| 1 | SURFACE MOUNTED HOUSING SIDE ENTRY | ALUMINIUM | | GREY | 2 | | | |
| 1 | SURFACE MOUNTED HOUSING SIDE ENTRY | ALUMINIUM | | GREY | 1 | | | |
| 0-3 | 0-2 | 0-1 | DESCRIPTION | MATERIAL | SURFACE | COLOR | ITEM | NOTES |
| | | | HB.24.SG-VS.1.M25.Z | | | | | |
| | | | HB.24.SGD.1.M25.Z | | | | | |
| | | | HB.24.SGD-LB.1.M25.Z | | | | | |

NOTES

- 1 PART SHALL BE FREE AND CLEAN OF BURRS AND OTHER FOREIGN MATERIAL
- 2 PACKAGING: QUANTITY 3 PIECES
- 3 VARNISHING INSIDE HOUSING NOT REQUIRED

| | | | |
|---|--|---|---|
| <small>THIS DRAWING IS A CONTROLLED DOCUMENT FOR TYCO ELECTRONICS CORPORATION IT IS SUBJECT TO CHANGE AND THE CONTROLLING ENGINEERING ORGANIZATION SHOULD BE CONTACTED FOR THE LATEST REVISION.</small> | | DWN R.SCHNEIDER 04 JUN2009 CHK T.SCHNURPFEL 04 JUN2009 APVD - PRODUCT SPEC - APPLICATION SPEC - WEIGHT - CUSTOMER DRAWING | Tyco Electronics tyco Electronics AMP GmbH 53757 Sankt Augustin (Germany) |
| DIMENSIONS: mm | TOLERANCES UNLESS OTHERWISE SPECIFIED: 0 PLC ±- 1 PLC ±- 2 PLC ±- 3 PLC ±- 4 PLC ±- ANGLES ±1° FINISH - | NAME SURFACE MOUNTED HOUSING BOTTOM ENTRY HB.24.SG.1.M25.Z SIZE A2 CAGE CODE 00779 DRAWING NO. 1103061 RESTRICTED TO - | SCALE 1:1 SHEET 1 OF 1 REV A3 |

X-ON Electronics

Largest Supplier of Electrical and Electronic Components

Click to view similar products for [Heavy Duty Power Connectors](#) category:

Click to view products by [TE Connectivity](#) manufacturer:

Other Similar products are found below :

[1424439](#) [1424438](#) [09330062652](#) [605601-1](#) [6340G1](#) [6341G1](#) [6360G1](#) [6373G1](#) [6374g2](#) [6396G1](#) [647757-1](#) [6643411-1](#) [6646058-2](#) [6646137-1](#)
[6646138-1](#) [6646348-1](#) [6646479-1](#) [6646608-1](#) [6646786-1](#) [6646940-1](#) [6651525-1](#) [6651529-1](#) [6651778-1](#) [6651788-1](#) [696465-1](#) [696475-1](#)
[73000005059](#) [73000005349](#) [73000005642](#) [73080965046](#) [765-15-0080A](#) [765-16-0080B](#) [789.700-44](#) [789.700-54](#) [80-1010](#) [80-9](#) [827381-1](#)
[829992-1](#) [902-77-02113](#) [PL00U-301-10D10](#) [PM103MOOLOO](#) [PM212MOOLOO](#) [PM309FOOLOO](#) [PM324FOOLCH](#) [PMHPAF11S03](#)
[PMHPAF14S01](#) [PMHPAM14P05](#) [PMHPAS06](#) [PMHPBF14S01](#) [PP45PC12S](#)