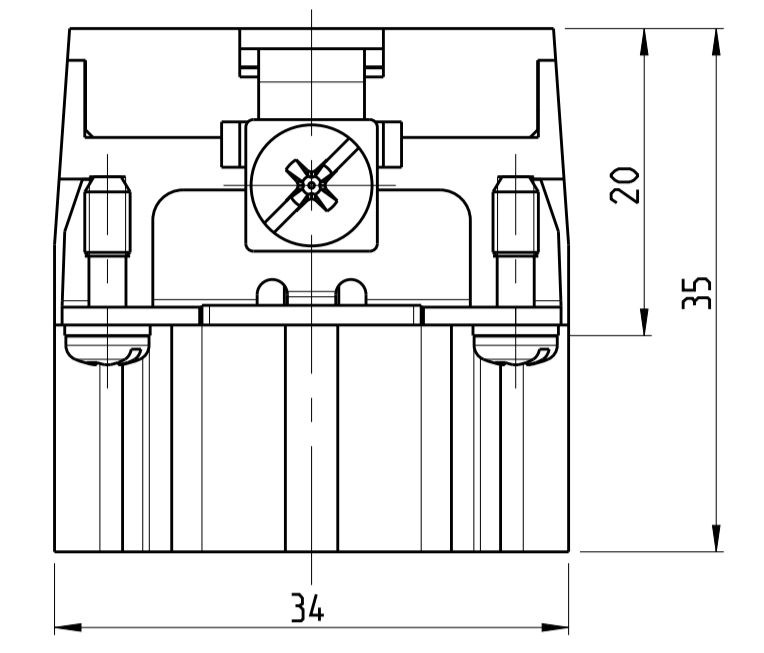
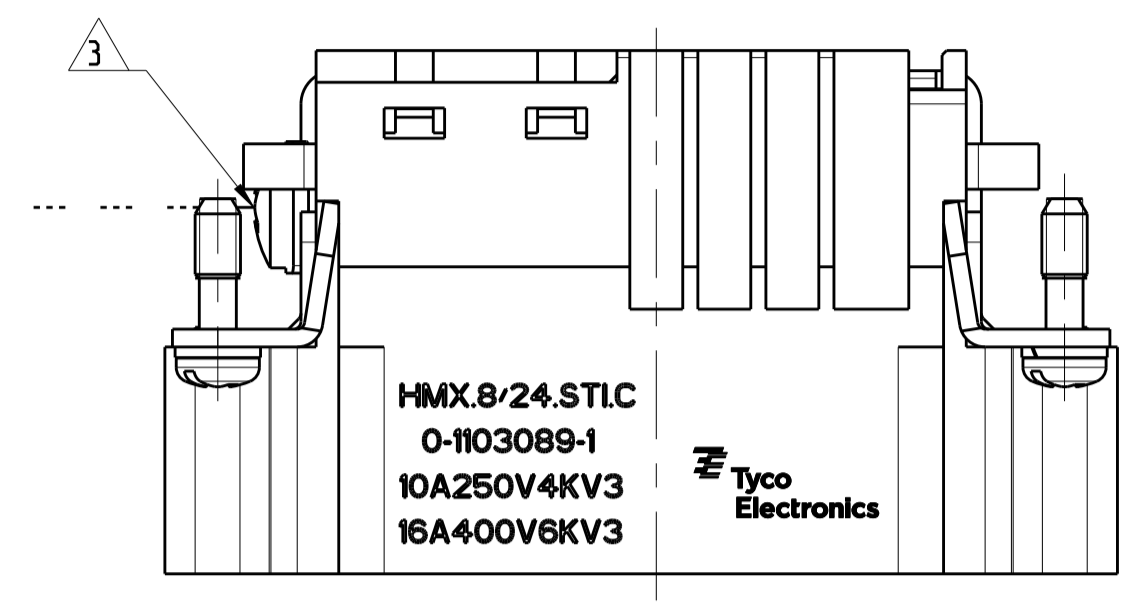


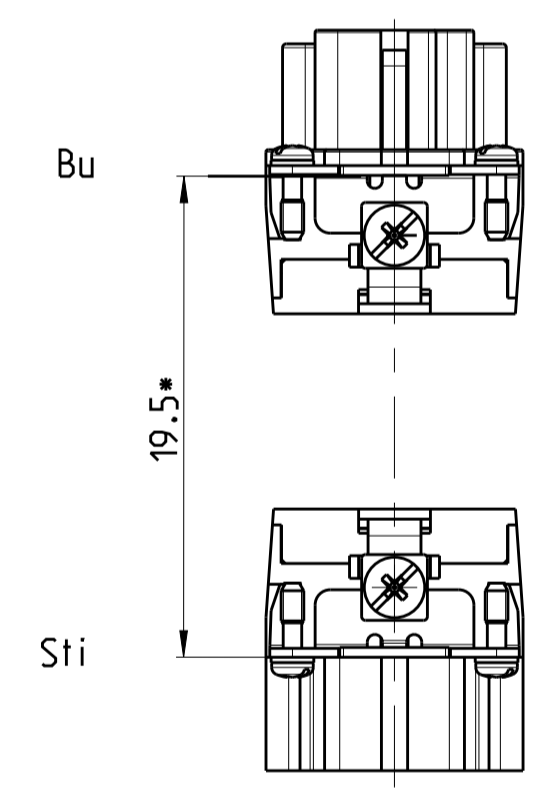
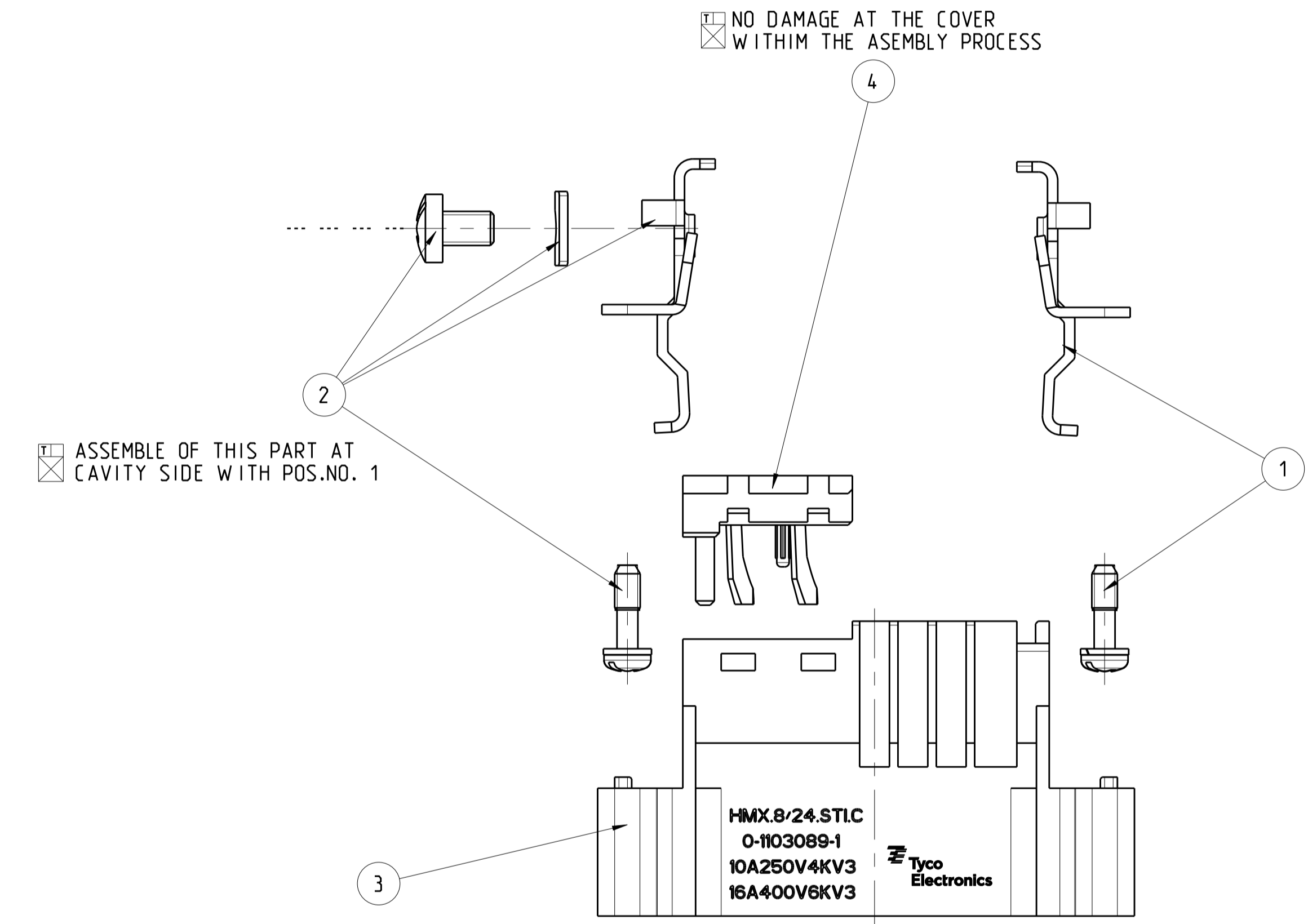
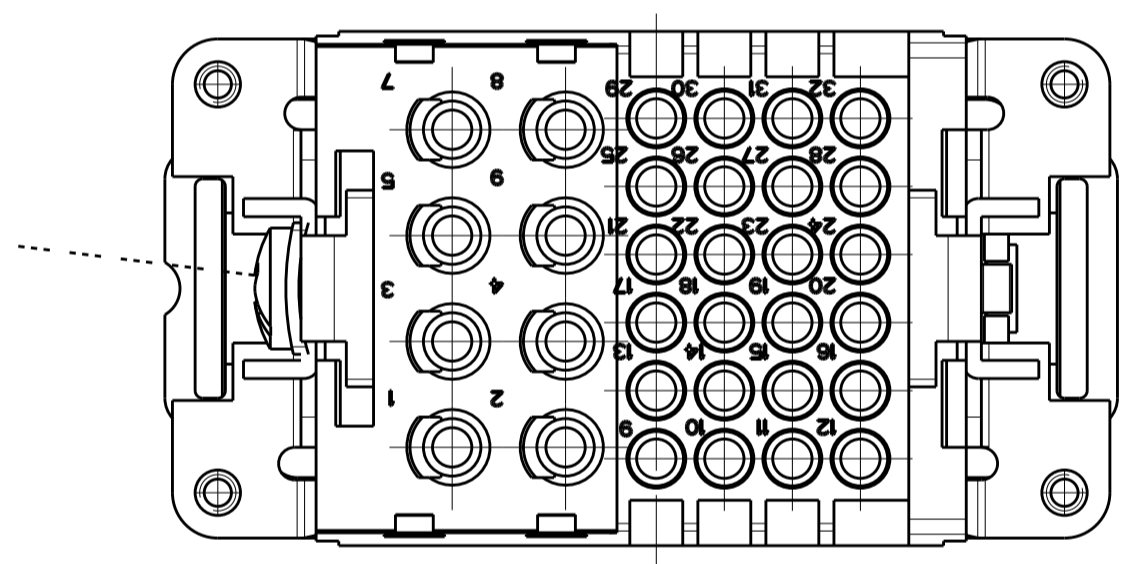
LOC	DIST	REVISIONS					
		P	LTR	DESCRIPTION	DATE	DWN	APVD
		C1		ECR-09-026756	08FEB2010	SR	EM
		C2		REVISED PER ECR-17-014051	04APR2018	NG	MKO

NOTES

- POVER CONTACT : 1 TO 8  
OUTER DIMENSIONS OF INSULATION: MAX. Ø4.9MM
- SIGNAL CONTACT: 11 AND 32  
OUTER DIMENSIONS OF INSULATION: MAX. Ø3.8MM
- SUITABLE HOOD SIZE 6  
SERIES HB, HD, EMV, AND HIP
- △ GROUNDING CONTACT
- STANDARDS:  
DIN EN 61984; DIN EN 60664-1
- PACKAGING:  
10 PIECES IN A CARTON BOX



CONTACT ARRANGEMENT VIEW FROM CONNECTING SIDE



\* DISTANCE FOR QUARANTEED CONTACT 21MM MAX.

PANEL CUT-OUT FOR CONTACT INSERT WHEN USED WITHOUT HOUSING



SUPERSEDED BY T2100322101-000

QTY	DESCRIPTION	MATERIAL	SURFACE	ITEM
1	COVER	PBT-GF15		4
1	FEMALE INSERT	PBT-GF30		3
1	PROTECTION ANGLE CONTACT SOCKET WITH MOUNTING		ZINK PLATED	2
1	PROTECTION ANGLE CONTACT SOCKET		ZINK PLATED	1
0-1	HMX.8/24.Sti.C			

THIS DRAWING IS A CONTROLLED DOCUMENT. DWG: R.SCHNEIDER 08FEB2010  
 CHE: T.SCHNURPEIL 08FEB2010

**STE** TE Connectivity

NAME: MALE INSERT ASSY HMX.8/24.ST1.C

SIZE: A1 CAGE CODE: 00779 DRAWING NO: 1103089

SCALE: 5:1 SHEET: 1 OF 1 REV: 2

## X-ON Electronics

Largest Supplier of Electrical and Electronic Components

*Click to view similar products for [Heavy Duty Power Connectors](#) category:*

*Click to view products by [TE Connectivity](#) manufacturer:*

Other Similar products are found below :

[1424439](#) [1424438](#) [09330062652](#) [605601-1](#) [6340G1](#) [6341G1](#) [6360G1](#) [6373G1](#) [6374g2](#) [6396G1](#) [647757-1](#) [6643411-1](#) [6646058-2](#) [6646137-1](#)  
[6646138-1](#) [6646348-1](#) [6646479-1](#) [6646608-1](#) [6646786-1](#) [6646940-1](#) [6651525-1](#) [6651529-1](#) [6651778-1](#) [6651788-1](#) [696465-1](#) [696475-1](#)  
[73000005059](#) [73000005349](#) [73000005642](#) [73080965046](#) [765-15-0080A](#) [765-16-0080B](#) [789.700-44](#) [789.700-54](#) [80-1010](#) [80-9](#) [827381-1](#)  
[829992-1](#) [902-77-02113](#) [PL00U-301-10D10](#) [PM103MOOLOO](#) [PM212MOOLOO](#) [PM309FOOLOO](#) [PM324FOOLCH](#) [PMHPAF11S03](#)  
[PMHPAF14S01](#) [PMHPAM14P05](#) [PMHPAS06](#) [PMHPBF14S01](#) [PP45PC12S](#)