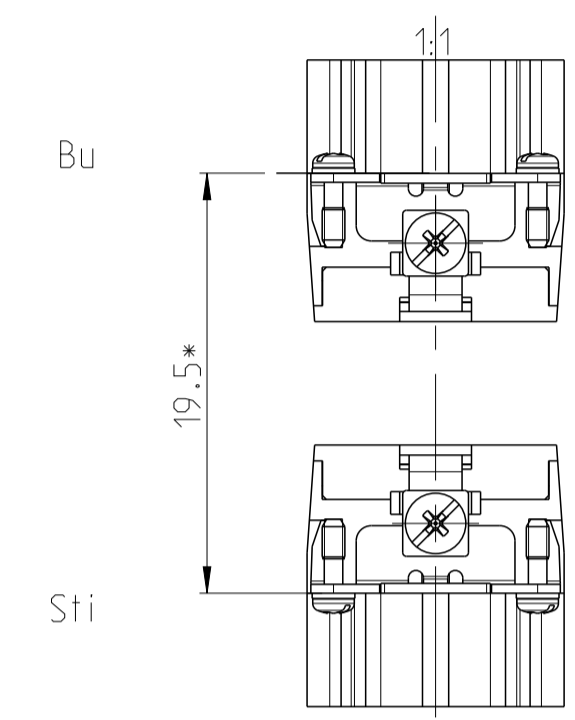
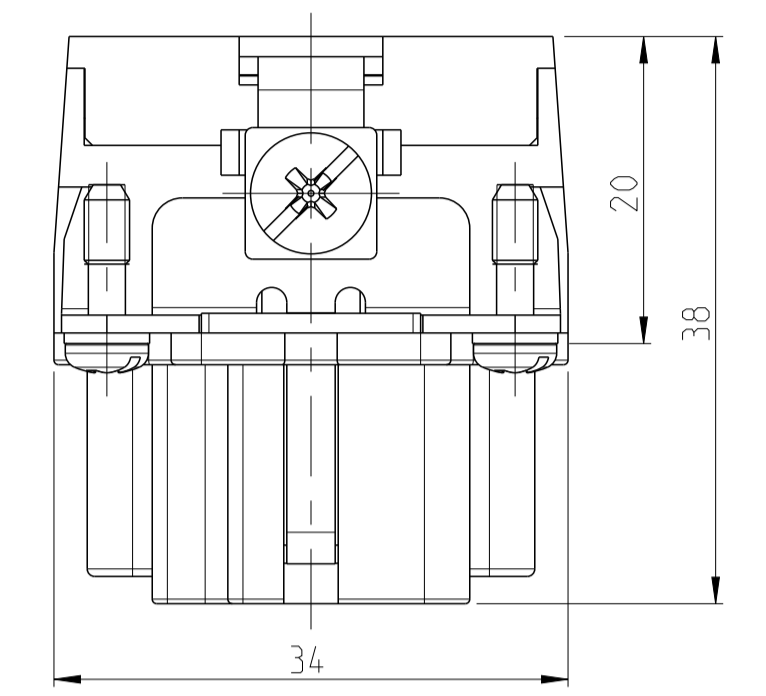
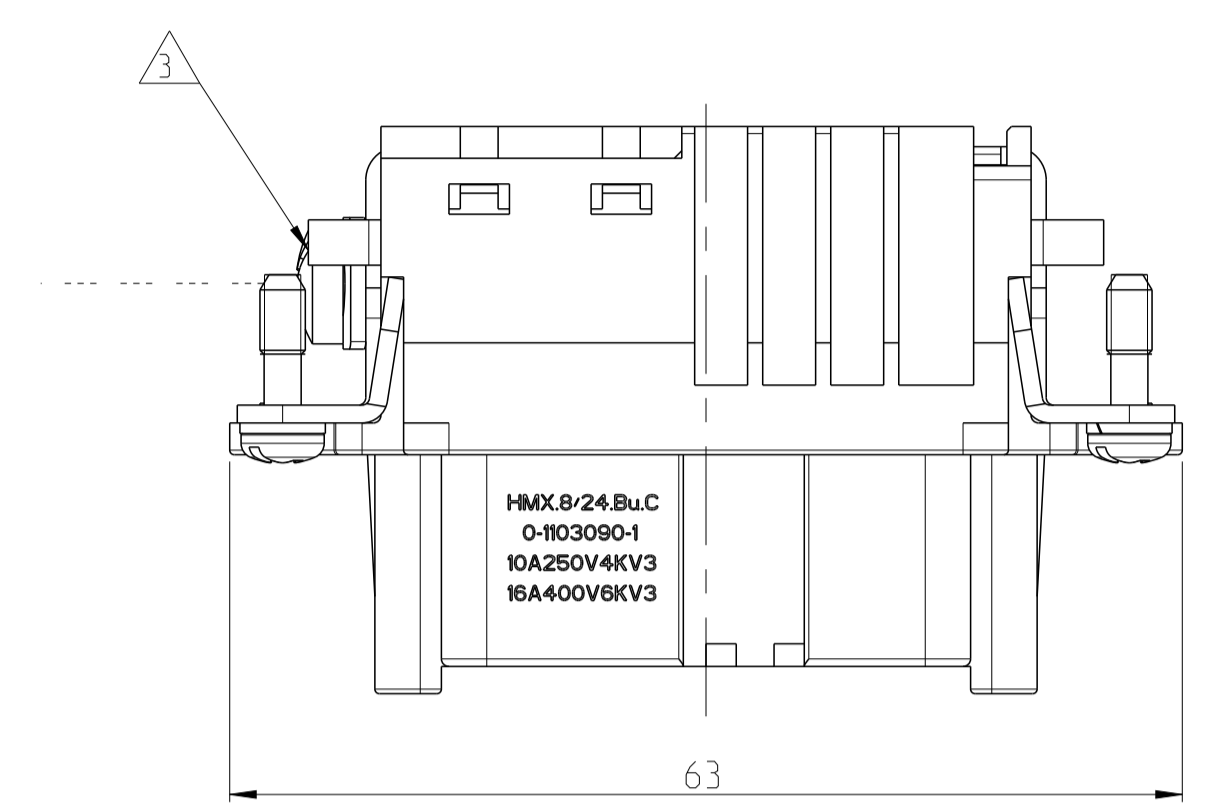


LOC		DIST		REVISIONS			
A1		-		REV	DATE	BY	CHK
C1	ECR-09-026756				05FEB2010	SR	ME
C2	ECR-17-014051				04APR2018	SG	MKO

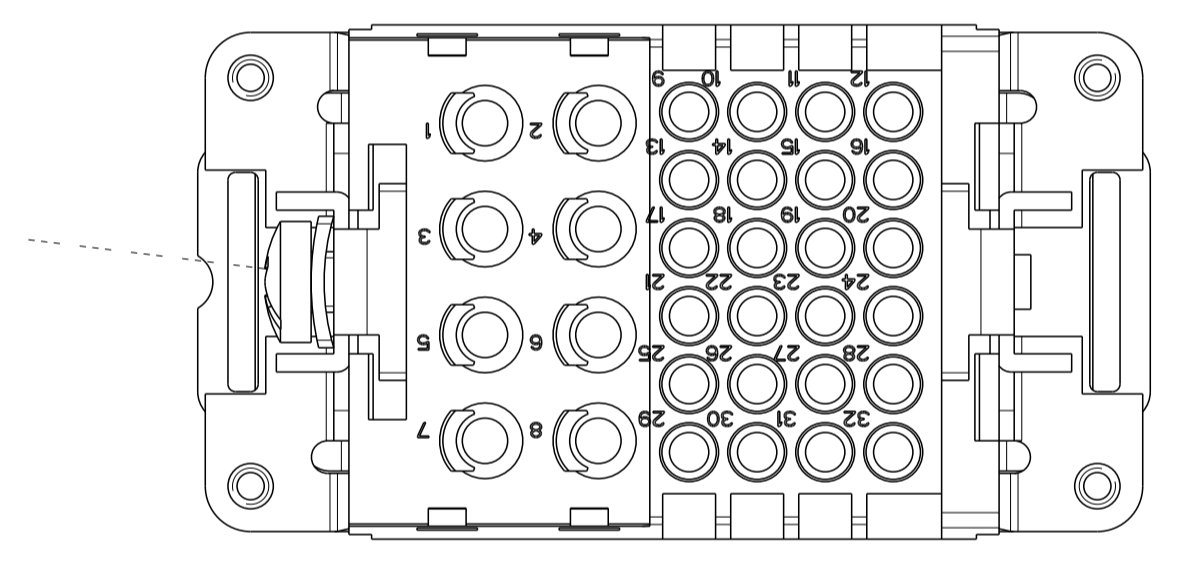
NOTES

- COVER CONTACT : 1 TO 12  
 OUTER DIMENSIONS OF INSULATION: MAX. Ø6.5MM  
 SIGNAL CONTACT: A AND B  
 OUTER DIMENSIONS OF INSULATION: MAX. Ø3.2MM
- SUITABLE HOOD SIZE 6  
 SERIES HB, HD, EMV, AND HIP
- GROUNDING CONTACT
- STANDARDS:  
 DIN EN 61984; DIN EN 60664-1
- PACKAGING:  
 10 PIECES IN A CARTON BOX

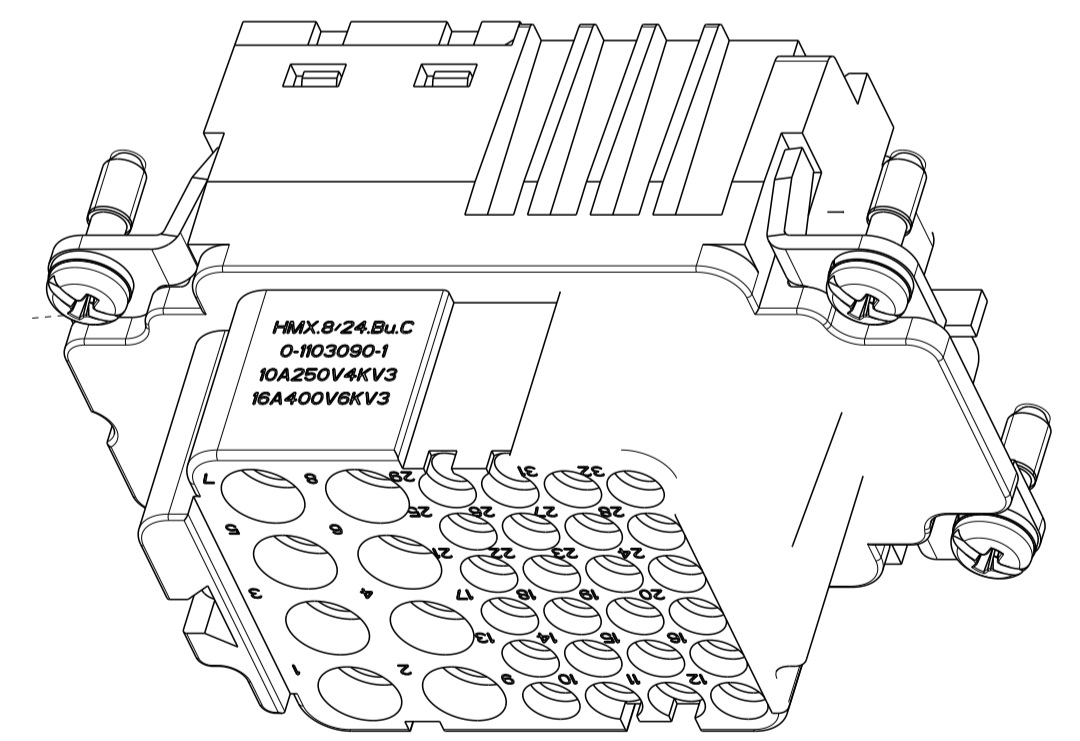
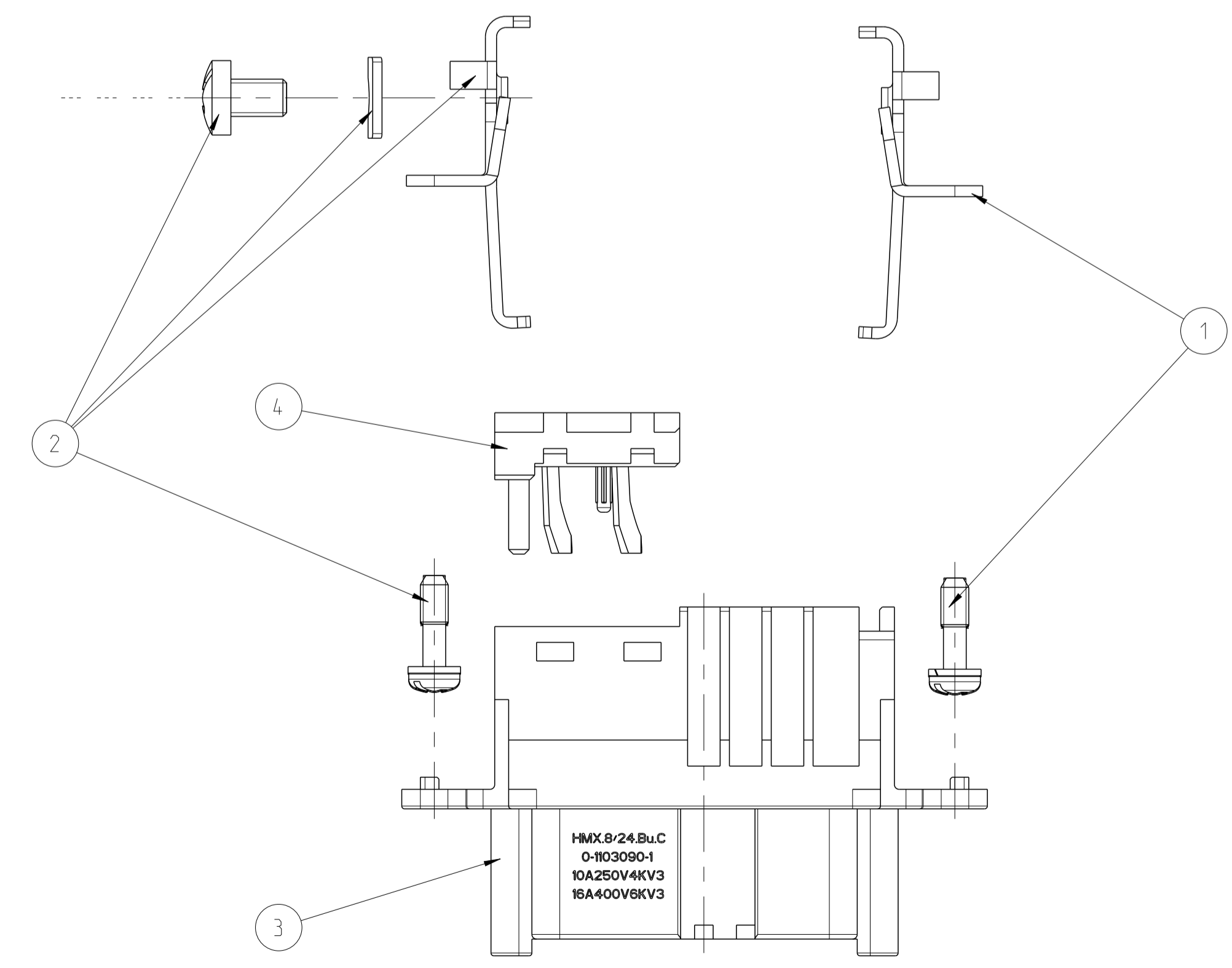
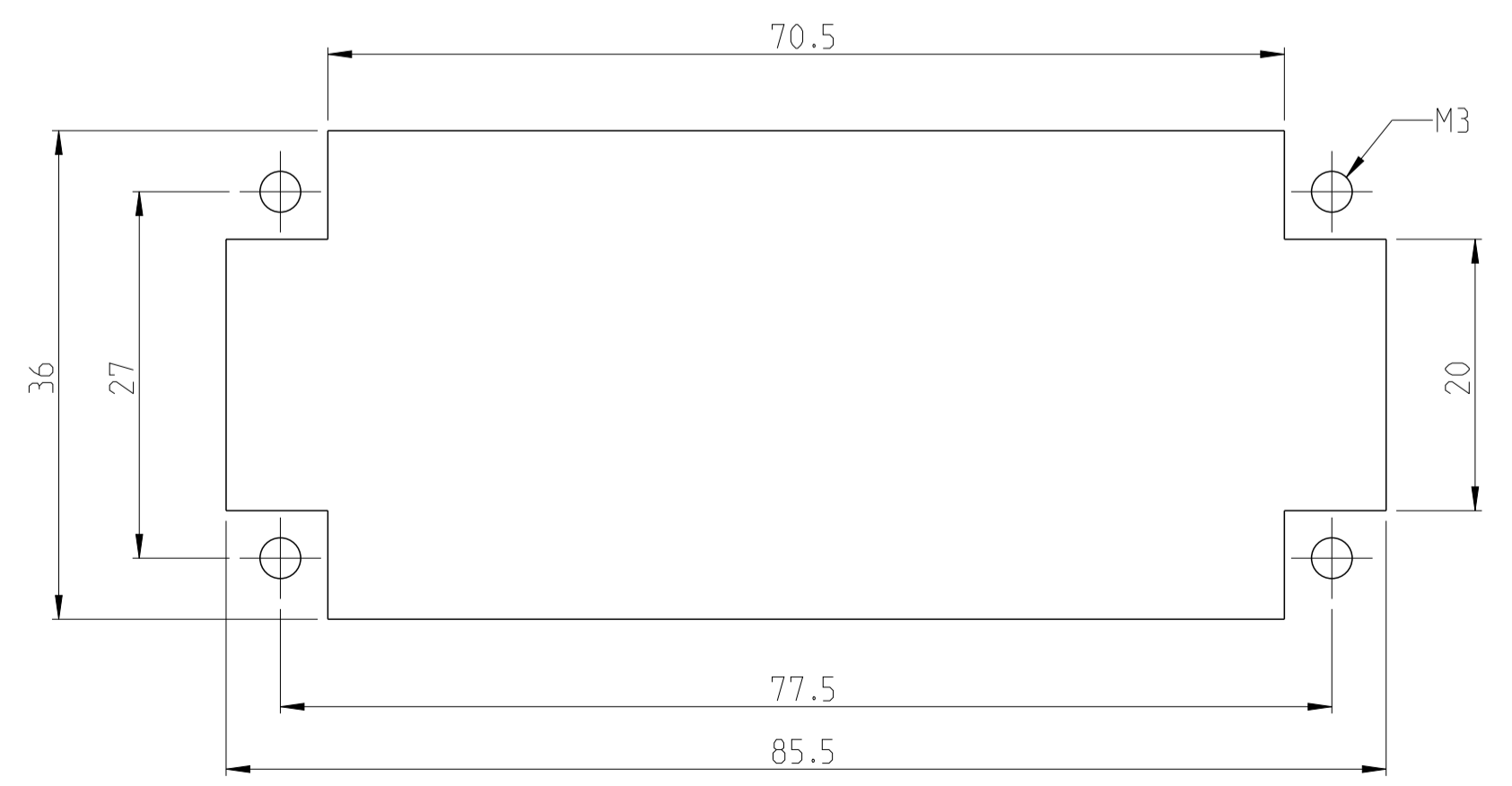


\* DISTANCE FOR QUARANTEED CONTACT 21MM MAX.

CONTACT ARRANGEMENT VIEW FROM TERMINATION SIDE



PANEL CUT-OUT FOR CONTACT INSERT WHEN USED WITHOUT HOUSING



SUPERSEDED BY T2100322201-000

QTY	DESCRIPTION	MATERIAL	SURFACE	ITEM
1	COVER	PBT-GF15		4
1	FEMALE INSERT	PBT-GF30		3
1	PROTECTION ANGLE CONTACT SOCKET WITH MOUNTING		ZINK PLATED	2
1	PROTECTION ANGLE CONTACT SOCKET		ZINK PLATED	1
0-1	ORDERING TEXT: HMX.12/2.Bu.C			

THIS DRAWING IS A CONTROLLED DOCUMENT. DWG: R.SCHNEIDER 05FEB2010  
 CHK: T.SCHNURPFEL 05FEB2010

**TE** TE Connectivity

NAME: FEMALE INSERT HMX.8/24.BU.C  
 FEMALE INSERT HMX.8/24.BU.C

PRODUCT SPEC: -  
 APPLICATION SPEC: -

SIZE: A1 CAGE CODE: 00779 DRAWING NO: C=1103090 RESTRICTED TO: 1

MATERIAL: - FINISH: - WEIGHT: - CUSTOMER DRAWING: - SCALE: 5:1 SHEET: 1 OF 1 REV: C2

## X-ON Electronics

Largest Supplier of Electrical and Electronic Components

*Click to view similar products for [Heavy Duty Power Connectors](#) category:*

*Click to view products by [TE Connectivity](#) manufacturer:*

Other Similar products are found below :

[1424439](#) [1424438](#) [09330062652](#) [605601-1](#) [6340G1](#) [6341G1](#) [6360G1](#) [6373G1](#) [6374g2](#) [6396G1](#) [647757-1](#) [6643411-1](#) [6646058-2](#) [6646137-1](#)  
[6646138-1](#) [6646348-1](#) [6646479-1](#) [6646608-1](#) [6646786-1](#) [6646940-1](#) [6651525-1](#) [6651529-1](#) [6651778-1](#) [6651788-1](#) [696465-1](#) [696475-1](#)  
[73000005059](#) [73000005349](#) [73000005642](#) [73080965046](#) [765-15-0080A](#) [765-16-0080B](#) [789.700-44](#) [789.700-54](#) [80-1010](#) [80-9](#) [827381-1](#)  
[829992-1](#) [902-77-02113](#) [PL00U-301-10D10](#) [PM103MOOLOO](#) [PM212MOOLOO](#) [PM309FOOLOO](#) [PM324FOOLCH](#) [PMHPAF11S03](#)  
[PMHPAF14S01](#) [PMHPAM14P05](#) [PMHPAS06](#) [PMHPBF14S01](#) [PP45PC12S](#)