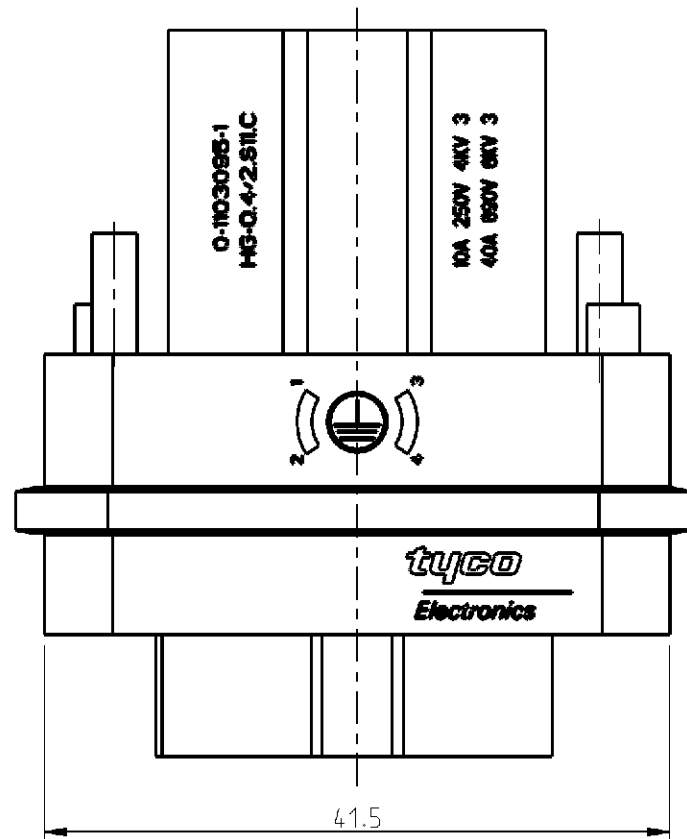


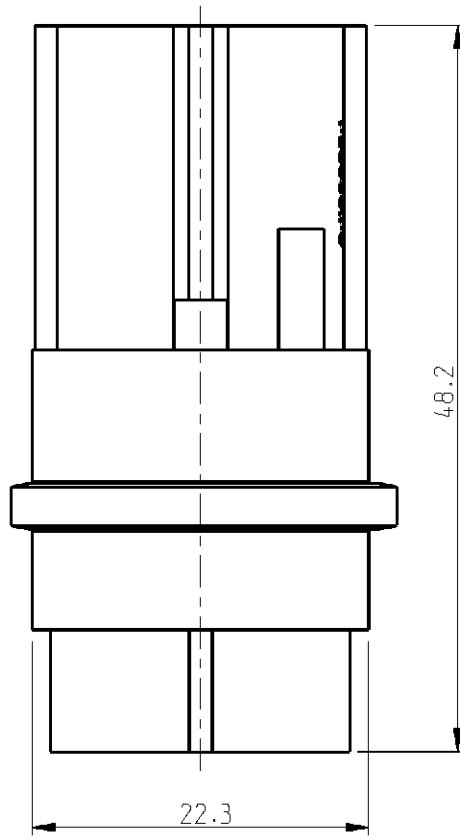
THIS DRAWING IS UNPUBLISHED. RELEASED FOR PUBLICATION

© COPYRIGHT BY TYCO ELECTRONICS CORPORATION. ALL RIGHTS RESERVED.

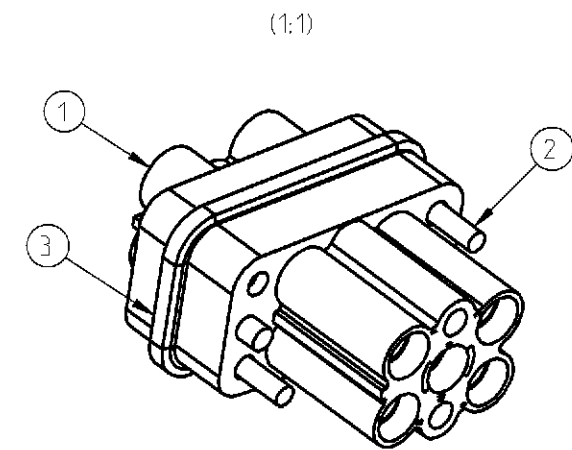
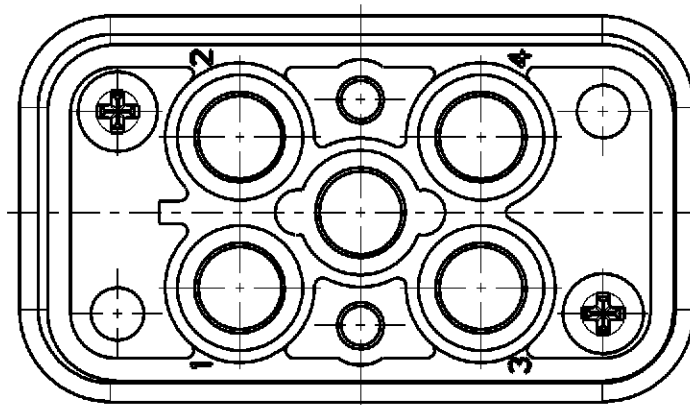
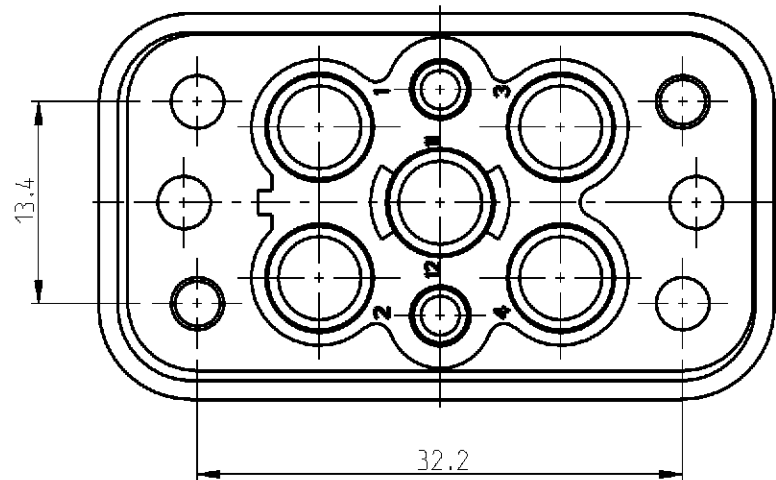
| LOC | DIST | REVISIONS   |                               |           |      |    |
|-----|------|-------------|-------------------------------|-----------|------|----|
| P   | LTR  | DESCRIPTION | DATE                          | DWN       | APVD |    |
| A1  | -    | C1          | RELEASED AS PER ECR-07-005630 | 12-Mar-07 | PKP  | ST |



CONTACT ARRANGEMENT VIEW FROM TERMINATION SIDE



CONTACT ARRANGEMENT VIEW FROM CONNECTING SIDE



NOTES

- 1 POWER CONTACT: 1 TO 4  
SUITABLE CRIMP CONTACTS: SERIES HSK  
CUSTOMER DRAWING NO :1108757  
OUTER DIMENSIONS OF INSULATOR:MAX Ø8 MM
- 2 SIGNAL CONTACT: 11 AND 12  
SUITABLE CRIMP CONTACTS: SERIES HN.D  
CUSTOMER DRAWING NO :1105050  
OUTER DIMENSIONS OF INSULATOR:MAX Ø3.8 MM
- 3 GROUNDING CONTACT  
SUITABLE CRIMP CONTACTS: SERIES HSK  
CUSTOMER DRAWING NO :1108757  
OUTER DIMENSIONS OF INSULATOR:MAX Ø8 MM
- 4 SUITABLE HOOD:SERIES HG-Q
- 5 NORM ACCOR: DIN EN 61984;DIN EN 60664-1
- 6 PACKAGING:  
10 PIECES IN A BOX

PN 0-1 AS SHOWN ORDERING TEXT:HG-Q.4/2.ST1.C

| QTY. | DESCRIPTION     | MATERIAL | SURFACE     | COLOR      | NOTE         | ITEM |
|------|-----------------|----------|-------------|------------|--------------|------|
| 1    | PROFILE SEALING | NBR 72   | NATURAL     | BLACK      | CONDUCTIVE   | 3    |
| 2    | SCREW 3X10      | STEEL    | ZINC PLATED | BLUE       | FOR PLASTICS | 2    |
| 1    | MALE INSERT     | PBT-GF25 | -           | LIGHT-GREY | -            | 1    |

PARTS LIST

|  |  |   |  |  |  |
|--|--|---|--|--|--|
| THIS DRAWING IS A CONTROLLED DOCUMENT FOR TYCO ELECTRONICS CORPORATION<br>IT IS SUBJECT TO CHANGE AND THE CONTROLLING ENGINEERING ORGANISATION<br>SHOULD BE CONTACTED FOR THE LATEST REVISION. |  | DWN 21.02.2005<br>M.Schweiger   |  | Tyco Electronics AMP GmbH<br>D-53819 Neunkirchen, Germany              |  |
| DIMENSIONS:<br>mm  |  | TOLERANCES UNLESS OTHERWISE SPECIFIED:<br>0 PLC ±<br>1 PLC ±<br>2 PLC ±<br>3 PLC ±<br>4 PLC ±<br>ANGLES ± |  | NAME<br>MALE INSERT<br>HG-Q.4/2.ST1.C                                  |  |
| MATERIAL 7   |  | FINISH 8  |  | PRODUCT SPEC 108-74053<br>APPLICATION SPEC 114-74055<br>WEIGHT 0.020KG |  |
| CUSTOMER DRAWING   |  | SCALE 2:1   |  | SHEET 1 OF 1 REV C1  |  |

## X-ON Electronics

Largest Supplier of Electrical and Electronic Components

*Click to view similar products for [Heavy Duty Power Connectors](#) category:*

*Click to view products by [TE Connectivity](#) manufacturer:*

Other Similar products are found below :

[647757-1](#) [6643411-1](#) [6646058-2](#) [6646137-1](#) [6646138-1](#) [6646479-1](#) [6646608-1](#) [6646786-1](#) [6646940-1](#) [6651091-1](#) [6651525-1](#) [6651529-1](#)  
[6651788-1](#) [696475-1](#) [702-32-01109](#) [703-25-02205](#) [73000005059](#) [73000005642](#) [73080255059](#) [73080965046](#) [765-15-0080A](#) [765-16-0080B](#)  
[765-18-0080D](#) [829992-1](#) [902-77-02113](#) [PS00/A0620/6300](#) [PS25/A0420/63](#) [129-1J](#) [1409400](#) [AN0024023](#) [E6374G1](#) [e6389g2](#) [157-43GW8](#)  
[MS3117-14AC](#) [1643543-1](#) [1650540-1](#) [1651811-2](#) [1766260-1](#) [1766282-1](#) [1766966-1](#) [1791340000](#) [NLDFT-3-BL-L-S120-M40A](#) [NLDFT-N-](#)  
[W-L-C240-M40B](#) [NLS-2-R-C240-M40B](#) [NLS-N-W-C240-M40B](#) [NPS-3-BL-T6](#) [1986615-1](#) [2-1589900-8](#) [2199314-1](#) [KA8102](#)