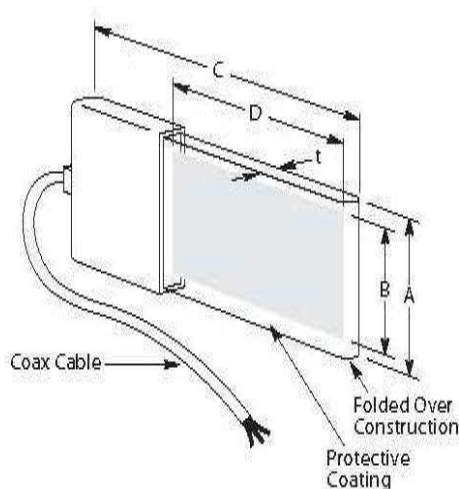


## SDT SHIELDED PIEZO SENSORS



### DIMENSIONS



DIMENSION in INCHES (mm)

A Film	B Electrode	C Film	D Electrode	t ( $\mu\text{m}$ )	Cap (nF)
.640 (16)	.520 (13)	1.64 (41)	1.18 (30)	75	2.78

### SPECIFICATIONS

- ◆ Shielded coaxial cable lead
- ◆ Shielded sensor
- ◆ Low noise
- ◆ Flexible
- ◆ Multi-purpose
- ◆ Piezo film Technology

The “S” in SDT stands for “Shielded Sensor.” SDT1 Piezo Film Sensors consist of a rectangular element of Piezo film together with a molded plastic housing and 18” of coaxial cable. The film element, screen printed with silver ink, is folded over on itself, providing self-shielding of the transducer area. This is important in applications in high EMI environments.

The SDT1 can be adhered to other surfaces using double sided adhesives, epoxy or cyanoacrylate (super glue). Care should be taken if the sensor is to be removed, as the double-side adhesive can peel the metallization from the film.

When adhered to a surface in this manner, the SDT1 is an excellent contact microphone or dynamic strain gage. The output from the SDT1 can input directly to an oscilloscope (10 M $\Omega$  preferred input impedance) or a signal analyzer.

### FEATURES

- ◆ Shielded piezo film sensor
- ◆ High longitudinal strain coefficient
- ◆ Integral coax cable
- ◆ Wide frequency response

### APPLICATIONS

- ◆ Machine monitoring
- ◆ Acoustic emission detection
- ◆ Contact microphone
- ◆ Vibration / impact sensing
- ◆ Detecting machine tool chatter
- ◆ Acoustic pickup
- ◆ Vibration analysis for equipment and product design

## INSTRUCTIONS

Using a double-sided adhesive tape, adhere the sensing element to the vibrating object. The adhesive tape should have a thin and non-foam type carrier. A double-sealed tape, such as 3M® 444, works well.

Clean off the surface of the object upon which the sensor is to be placed, removing any foreign particles such as dirt, dust, grease, etc. Then apply the adhesive tape to the clean surface. Next, adhere the SDT1-028K to the adhesive by attaching the end of the sensor element first and smoothing out the element (avoiding any creases or air bubbles) towards the lead attach.

The adhesive must continue out and hold down the plastic lead attachment housing as well, to prevent errant results. Similarly, it is recommended that the wire be taped down in some instances (this can be done with masking tape in a designated position).

If the sensor is to be used in an environment above 45°C [114°F], then a different adhesive system is recommended since the double sided tape can become soft and affect the sensor's ability to detect vibration. Cyanoacrylate or a five-minute epoxy are useable, but they are permanent.

The leads can be connected directly into an oscilloscope or frequency analyzer with preferably, a 10 MΩ impedance.

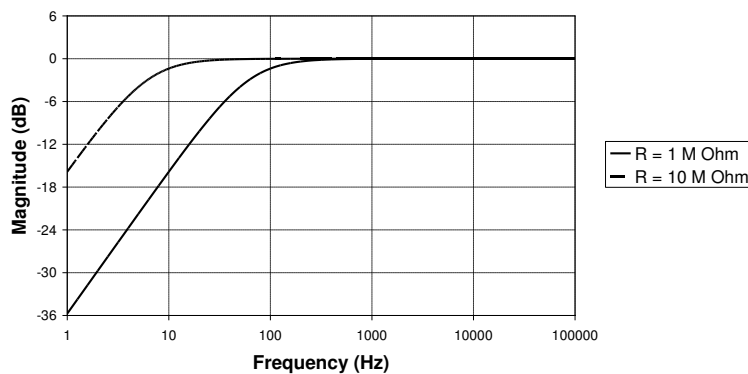
## SENSOR OPERATION

Operating in a reciprocal fashion, changes in length generate a corresponding charge and hence, voltage to appear on the electrodes of the film. The transducer behaves like an “active” capacitor, consequently, loading of the signal by the input impedance of the measuring device must be considered. Due to the thinness of the films, the associated capacitance can be sufficient to give adequate low frequency response into standard 1 MΩ loads, but use of an X10 probe will extend the low frequency range by a decade. For extremely small devices and low frequency vibration levels, some buffering may be desirable. For the majority of analysis work, this is unnecessary and the film can feed directly to the instrument.

The low mass contributed by the transducer is of major importance, and its non-resonant behavior. Frequency response is inherently flat into the MHz region with only the R-C roll off at low frequencies distorting the profile. Since it is responding to strain rather than acceleration, high signal levels may be generated by low frequency flexing, so a distinction must be made between the frequency response of the film for changes in its primary parameter (i.e., strain) and its relative behavior compared with, say piezoelectric accelerometers.

The response of the sensor to strain enforces its likeness to a strain gauge, but with much higher output. The sensor performs well at low frequencies where displacement is large and acceleration low, as well as at high frequencies where displacement is small and acceleration high. The sensor has a flat response over a very wide frequency range, with resonant frequency points above 10 MHz.

**SDT1-028K Low Frequency Response**



## SDT SHIELDED PIEZO SENSORS

### PERFORMANCE SPECIFICATIONS

<b>Minimum Impedance</b>	1 M $\Omega$
<b>Preferred Impedance</b>	10 M $\Omega$
<b>Output Voltage @ 10 m<math>\Omega</math></b>	Min 15 V
<b>Storage Temperature</b>	-40°C to +70°C [-40°F to 160°F]
<b>Operating Temperature</b>	0°C to +70°C [32°F to 160°F] (Depending on adhesive system). For more stringent, high operating temperature requirements, special preparation of the sensor can be arranged.
<b>Operating Force Range</b>	up to 2% strain
<b>Output</b>	15-20 mV/ $\mu$ strain
<b>Circuit Connection</b>	Red Wire-Signal White/Braided Wire-Ground
<b>Physical Characteristics</b>	Wire Length 457.2 mm [18 In.] Total Sensor Length/Width/Height 44.5 x 19.7 x 3.2 mm [1.75 x .775 x .125 In.] Sensor Element Length/Width/Height 28.6 x 11.2 x .13 mm

### ORDERING INFORMATION

Description	Model No.	Part No.
SDT Shielded Piezo Sensor	SDT1-028K	1-1000288-0

#### NORTH AMERICA

Measurement Specialties, Inc.,  
a TE Connectivity Company  
Tel: +1-800-522-6752  
Email: [customer-care.dtmd@te.com](mailto:customer-care.dtmd@te.com)

#### EUROPE

MEAS Deutschland GmbH  
a TE Connectivity Company  
Tel: +49-800-440-5100  
Email: [customer-care.dtmd@te.com](mailto:customer-care.dtmd@te.com)

#### ASIA

Measurement Specialties (China), Ltd.,  
a TE Connectivity Company  
Tel: +86 0400-820-6015  
Email: [customer-care.chdu@te.com](mailto:customer-care.chdu@te.com)

### TE.com/sensorsolutions

Measurement Specialties, Inc., a TE Connectivity company.

Measurement Specialties, TE Connectivity, TE Connectivity (logo) and EVERY CONNECTION COUNTS are trademarks. All other logos, products and/or company names referred to herein might be trademarks of their respective owners.

The information given herein, including drawings, illustrations and schematics which are intended for illustration purposes only, is believed to be reliable. However, TE Connectivity makes no warranties as to its accuracy or completeness and disclaims any liability in connection with its use. TE Connectivity's obligations shall only be as set forth in TE Connectivity's Standard Terms and Conditions of Sale for this product and in no case will TE Connectivity be liable for any incidental, indirect or consequential damages arising out of the sale, resale, use or misuse of the product. Users of TE Connectivity products should make their own evaluation to determine the suitability of each such product for the specific application.

© 2015 TE Connectivity Ltd. family of companies All Rights Reserved.

## X-ON Electronics

Largest Supplier of Electrical and Electronic Components

*Click to view similar products for te connectivity manufacturer:*

Other Similar products are found below :

[570416-000](#) [CLTEQ-M81CE-SSRELAY-4-20V](#) [4-1633138-8](#) [D38999/24FJ4AN](#) [4-1195131-0](#) [650069-000](#) [SMD100-2](#) [2EDL4CM](#)  
[DTS20W19-11PD-3028](#) [DTS20W19-11PD-3028-LC](#) [DTS20W19-32SD-3028-LC](#) [DTS20W19-32SD-3028](#) [NC6-P104-06](#) [TXR64AB90-](#)  
[3616AI](#) [DTS26F21-41HE](#) [DTS26F21-41AE](#) [DTS26F21-41PE-LC](#) [DTS26F21-11SE-3028-LC](#) [D38999/24WF32JE](#) [D38999/24WF32SE-LC](#)  
[DTS24W19-32HE](#) [D38999/20JB35HA](#) [D38999/24WJ20PA](#) [164-8033-08](#) [D38999/24FF32JE](#) [D38999/24FF32SE-LC](#) [D38999/24WF32JB](#)  
[D38999/24WG11HA](#) [D38999/24WG11HN](#) [MS27467T21F11H](#) [DJT16E21-11HA](#) [DTS24F19-32HE](#) [DTS20W19-32SA-3028-LC](#) [DTS24F19-](#)  
[11SC-3028-LC](#) [DTS24F19-11SC-3028](#) [DJT14E13-98HB](#) [D38999/20WC8BB](#) [1-330599-5](#) [DTS24F21-41HN-LC](#) [DTS24F21-41HN](#)  
[DTS24F21-41AN](#) [DTS24F21-39HN](#) [DTS24F21-41PN-LC](#) [AFD50-10-6SN-1A-LC](#) [DJT10F17-26HC](#) [DTS24W19-32HB](#) [ACT20JE99HA](#)  
[DJT10E17-26HC](#) [DJT10E17-26HN](#) [DJT10F17-26HA](#)