

THIS DRAWING IS UNPUBLISHED.

RELEASED FOR PUBLICATION

2000

© COPYRIGHT 2000

ALL RIGHTS RESERVED.

LOC
A1

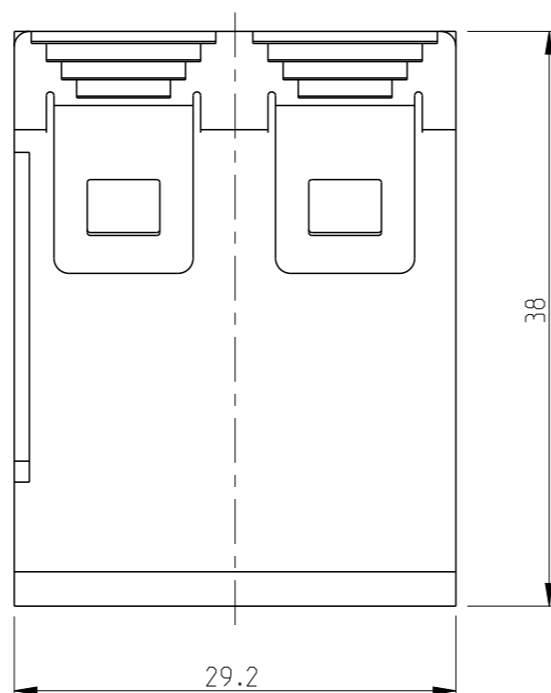
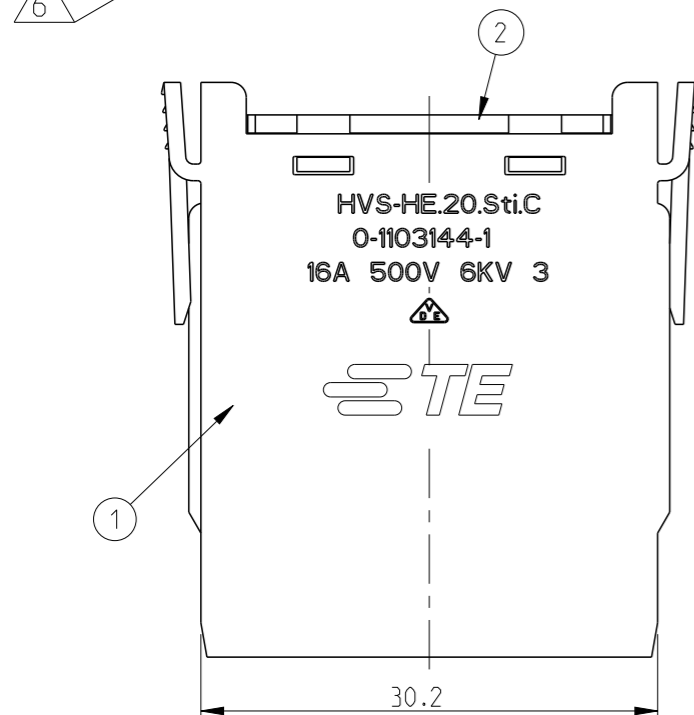
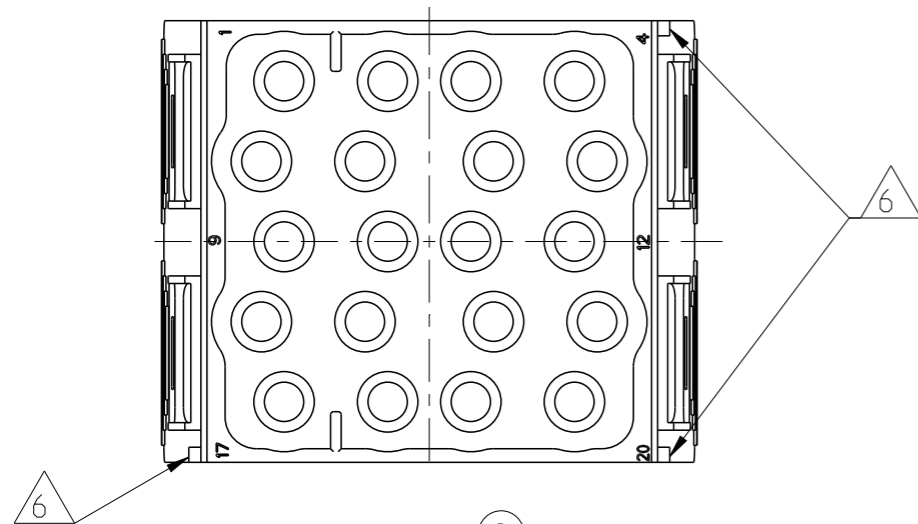
DIST
-

REVISIONS

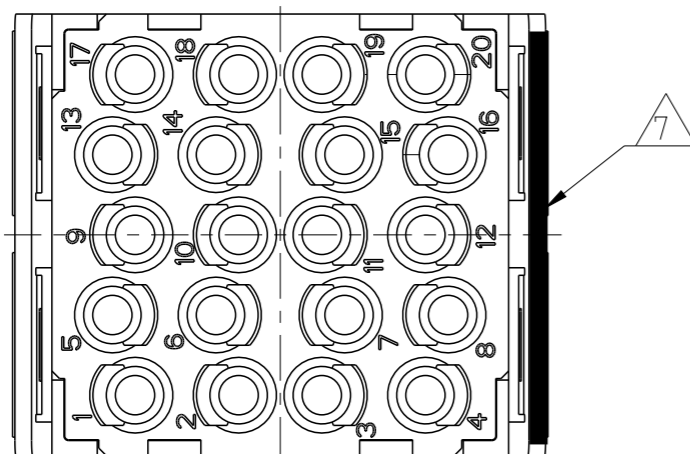
P	LTR	DESCRIPTION	DATE	DWN	APVD
A5		RELEASED ASPER ECR-09-010234	6-May-09	CJ	TS
B1		ECR-10-015645	27JUL2010	SR	OH
C		ECR-15-007597	05JUN2015	GSK	JB

PN 0-1 As Shown

Contact arrangement
view from connecting side



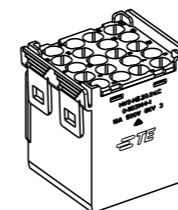
Contact arrangement
view from termination side



NOTES

- SUITABLE CRIMP CONTACTS: SERIES HE/HA
CUSTOMER DRAWING: 1105100
OUTER DIMENSIONS OF INSULATION: MAX. Ø4.9mm
- SUITABLE MODULE FIXING FRAME: SERIES HVS SIZE 3 TO 8
CUSTOMER DRAWING: 1103250
- SUITABLE INSERTION TOOL:
CUSTOMER DRAWING: 0-1102855-6
- SUITABLE EXTRACTION TOOL:
CUSTOMER DRAWING: 0-1102855-7
- STANDARDS:
DIN EN 61984; DIN EN 60664-1
- POLARIZATION RIPS
- MARKING OF POLARIZATION ACCORDING TO MARKING OF
MODULE FRAME
- PACKAGING:
10 SETS IN A CARTON, PRE-MOUNTED

PN 0-1 As Shown



SCALE 1:2

QTY	DESCRIPTION	MATERIAL	COLOR	ITEM
1	MALE INSERT	PBT-GF10	LIGHT GREY	2
1	COVER	PBT-GF15	LIGHT GREY	1
HVS-HE.20.Sti.C				

THIS DRAWING IS A CONTROLLED DOCUMENT.

DIMENSIONS:
mm



MATERIAL



TOLERANCES UNLESS OTHERWISE SPECIFIED:

0 PLC	±0.075
1 PLC	±0.15
2 PLC	±0.2
3 PLC	±0.25
4 PLC	±0.3
ANGLES	±1°

FINISH



DWN 31.08.2005

M.SCHWEIGER

CHK 01.09.2005

T.SCHNURPFEL

APVD -

PRODUCT SPEC

108-74074

APPLICATION SPEC

114-74073

WEIGHT -

CUSTOMER DRAWING

NAME



TE Connectivity

MALE INSERT
HVS-HE.20.STI.C

SIZE

A3

CAGE CODE

00779

DRAWING NO

C=1103144

RESTRICTED TO

-

SCALE 2:1

SHEET 1 OF 1

REV C

X-ON Electronics

Largest Supplier of Electrical and Electronic Components

Click to view similar products for [Heavy Duty Power Connectors](#) category:

Click to view products by [TE Connectivity](#) manufacturer:

Other Similar products are found below :

[1424439](#) [1424438](#) [09330062652](#) [605601-1](#) [6340G1](#) [6341G1](#) [6360G1](#) [6373G1](#) [6374g2](#) [6396G1](#) [647757-1](#) [6643411-1](#) [6646058-2](#) [6646137-1](#)
[6646138-1](#) [6646348-1](#) [6646479-1](#) [6646608-1](#) [6646786-1](#) [6646940-1](#) [6651525-1](#) [6651529-1](#) [6651778-1](#) [6651788-1](#) [696465-1](#) [696475-1](#)
[73000005059](#) [73000005349](#) [73000005642](#) [73080965046](#) [765-15-0080A](#) [765-16-0080B](#) [789.700-44](#) [789.700-54](#) [80-1010](#) [80-9](#) [827381-1](#)
[829992-1](#) [902-77-02113](#) [PL00U-301-10D10](#) [PM103MOOLOO](#) [PM212MOOLOO](#) [PM309FOOLOO](#) [PM324FOOLCH](#) [PMHPAF11S03](#)
[PMHPAF14S01](#) [PMHPAM14P05](#) [PMHPAS06](#) [PMHPBF14S01](#) [PP45PC12S](#)