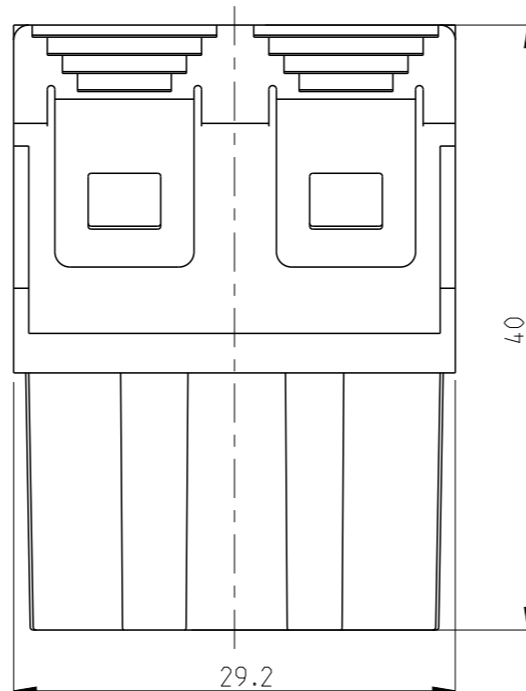
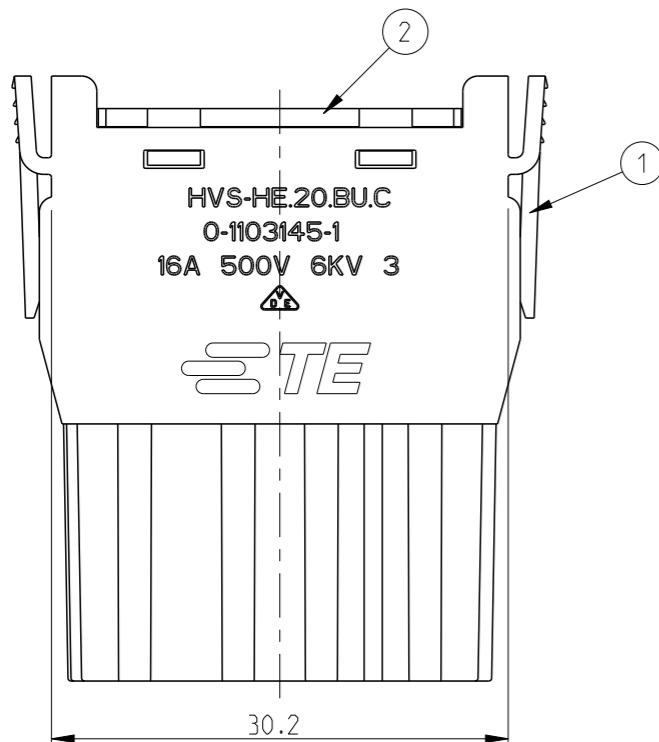
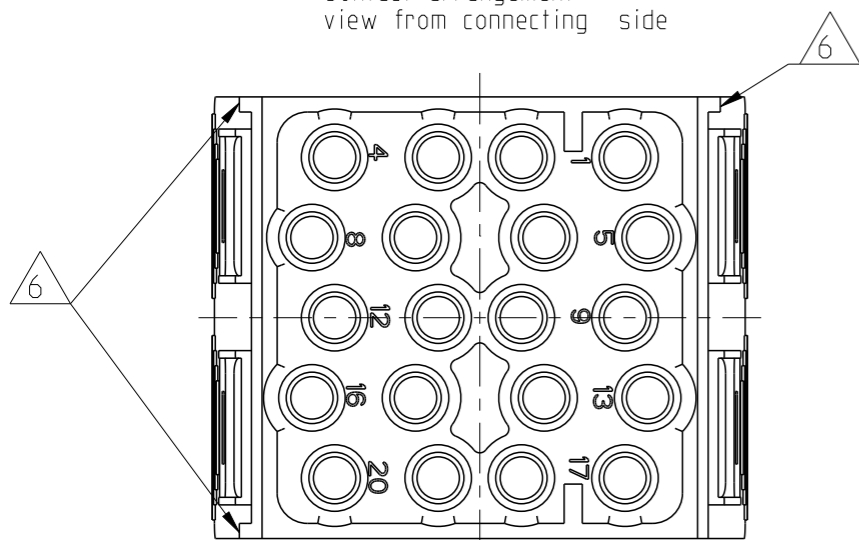


LOC	DIST
A1	-

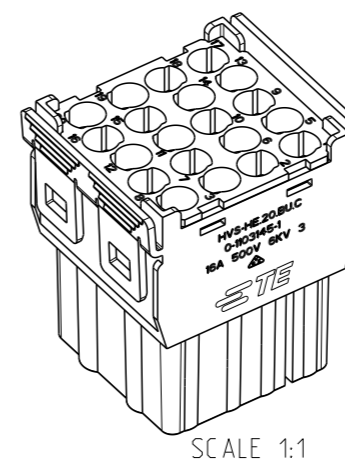
REVISIONS					
P	LTR	DESCRIPTION	DATE	DWN	APVD
	A5	RELEASED ASPER ECR-09-010234	6-May-09	CJ	TS
	B1	ECR-10-015645	27JUL2010	SR	OH
	C	ECR-15-007597	05JUN2015	GSK	JB

PN 0-1 As Shown

Contact arrangement view from connecting side



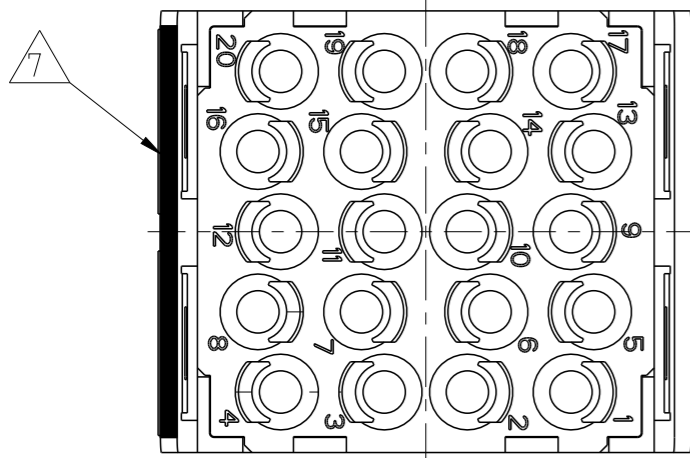
PN 0-1 As Shown



NOTES

- 1 SUITABLE CRIMP CONTACTS: SERIES HE/HA
CUSTOMER DRAWING: 1105101
OUTER DIMENSIONS OF INSULATION: MAX. Ø4.9mm
- 2 SUITABLE MODULE FIXING FRAME: SERIES HVS SIZE 3 TO 8
CUSTOMER DRAWING: 1103250
- 3 SUITABLE INSERTION TOOL:
CUSTOMER DRAWING: 0-1102855-6
- 4 SUITABLE EXTRACTION TOOL:
CUSTOMER DRAWING: 0-1102855-7
- 5 STANDARDS:
DIN EN 61984; DIN EN 60664-1
- 6 POLARIZATION RIPS
- 7 MARKING OF POLARIZATION ACCORDING TO MARKING OF
MODULE FRAME
- 8 PACKAGING:
10 SETS IN A CARTON, PRE-MOUNTED

Contact arrangement view from termination side



QTY	DESCRIPTION	MATERIAL	COLOR	ITEM
1	FEMALE INSERT	PBT-GF10	LIGHT GREY	2
1	COVER	PBT-GF15	LIGHT GREY	1
HVS-HE.20.Bu.C				

THIS DRAWING IS A CONTROLLED DOCUMENT.		DWN	31.08.2008	TE Connectivity	
		CHK	01.09.2008		
DIMENSIONS:		TOLERANCES UNLESS OTHERWISE SPECIFIED:		FEMALE INSERT HVS-HE.20.BU.C	
mm		ISO 8075			
		DIN ISO 2768 mH-E			
		DIN 15901-120			
		0 PLC	±	NAME	
		1 PLC	±	PRODUCT SPEC	
		2 PLC	±	108-74073	
		3 PLC	±	APPLICATION SPEC	
		4 PLC	±	114-74073	
MATERIAL		FINISH		SIZE	
9		10		A3	
				CAGE CODE	
				00779	
				DRAWING NO	
				C=1103145	
				RESTRICTED TO	
				-	
				SCALE	
				2:1	
				SHEET	
				1 OF 1	
				REV	
				C	

X-ON Electronics

Largest Supplier of Electrical and Electronic Components

Click to view similar products for [Heavy Duty Power Connectors](#) category:

Click to view products by [TE Connectivity](#) manufacturer:

Other Similar products are found below :

[1424439](#) [1424438](#) [09330062652](#) [605601-1](#) [6340G1](#) [6341G1](#) [6360G1](#) [6373G1](#) [6374g2](#) [6396G1](#) [647757-1](#) [6643411-1](#) [6646058-2](#) [6646137-1](#)
[6646138-1](#) [6646348-1](#) [6646479-1](#) [6646608-1](#) [6646786-1](#) [6646940-1](#) [6651525-1](#) [6651529-1](#) [6651778-1](#) [6651788-1](#) [696465-1](#) [696475-1](#)
[73000005059](#) [73000005349](#) [73000005642](#) [73080965046](#) [765-15-0080A](#) [765-16-0080B](#) [789.700-44](#) [789.700-54](#) [80-1010](#) [80-9](#) [827381-1](#)
[829992-1](#) [902-77-02113](#) [PL00U-301-10D10](#) [PM103MOOLOO](#) [PM212MOOLOO](#) [PM309FOOLOO](#) [PM324FOOLCH](#) [PMHPAF11S03](#)
[PMHPAF14S01](#) [PMHPAM14P05](#) [PMHPAS06](#) [PMHPBF14S01](#) [PP45PC12S](#)