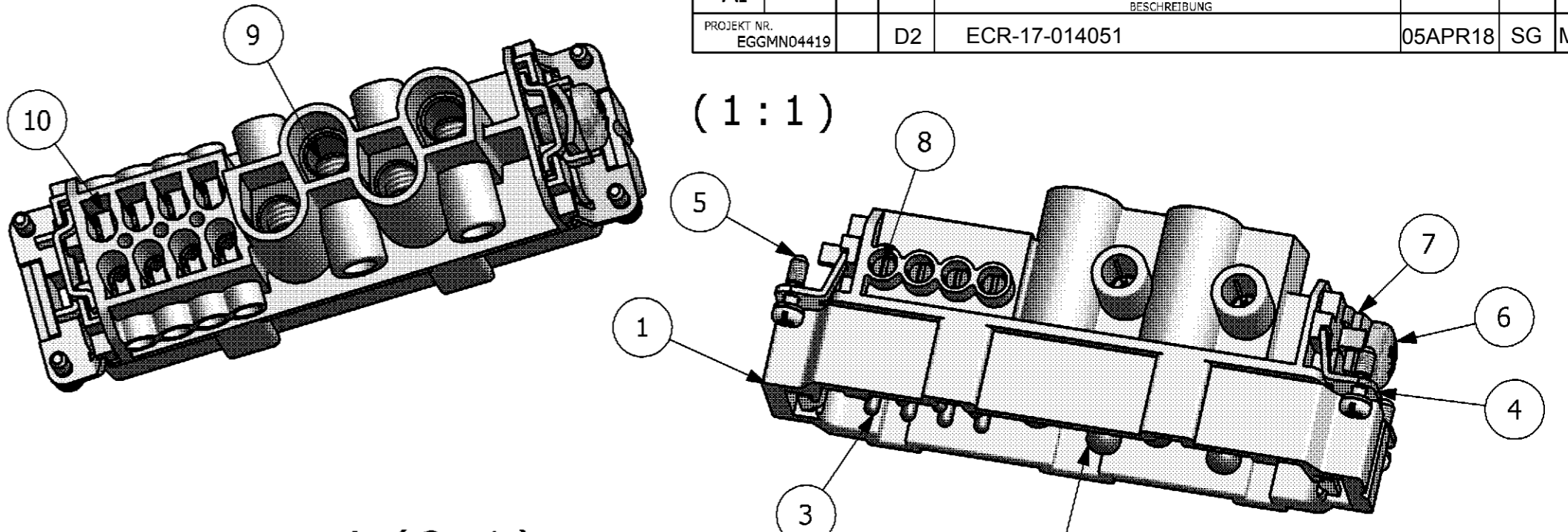
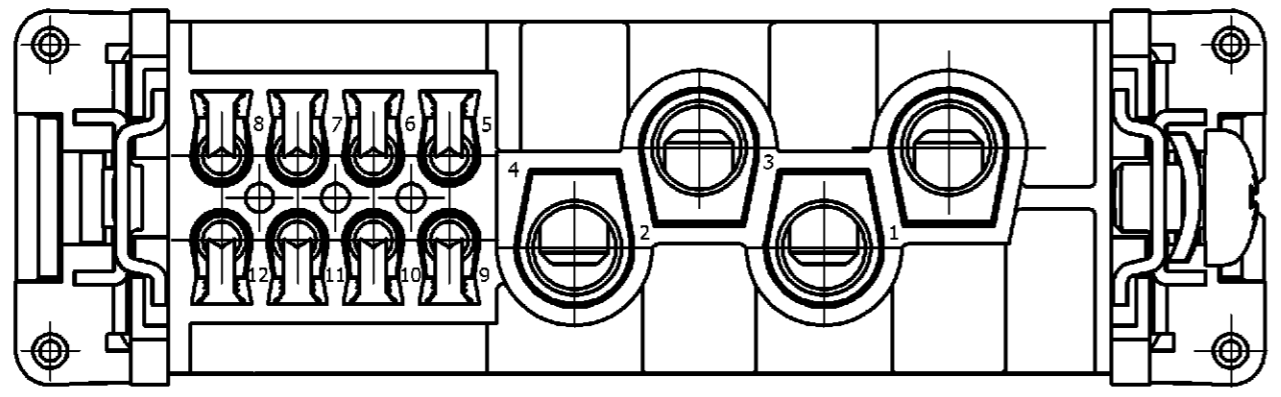
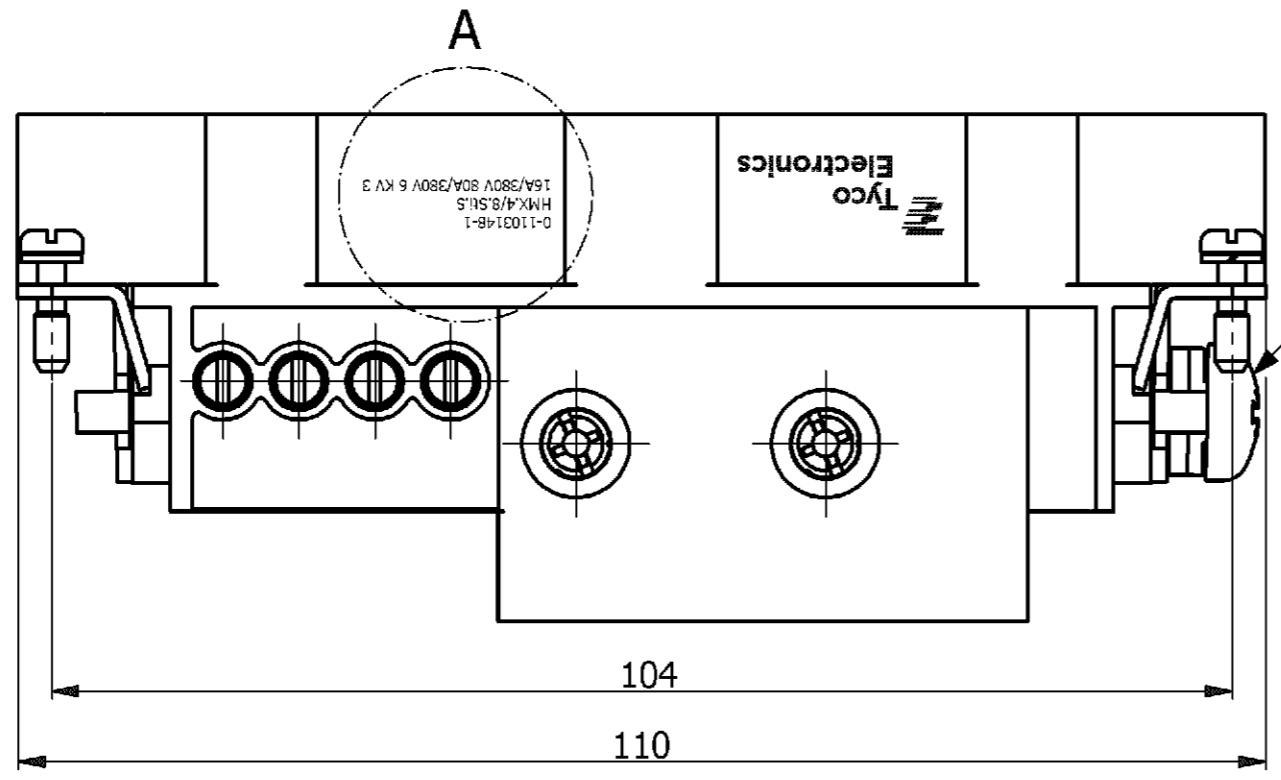
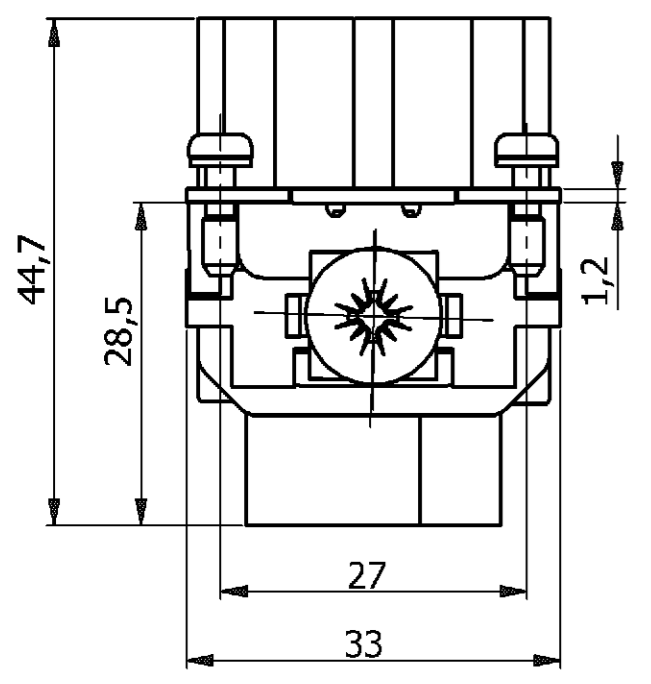


LOC	DIST	REVISIONS ÄNDERUNGEN					
AI	-	P	LTR	DESCRIPTION BESCHREIBUNG	DATE	DWN	APVD
PROJEKT NR. EGGMN04419		D2		ECR-17-014051	05APR18	SG	MKO

CONTACT ARRANGEMENT
VIEW FROM TERMINATION SIDE



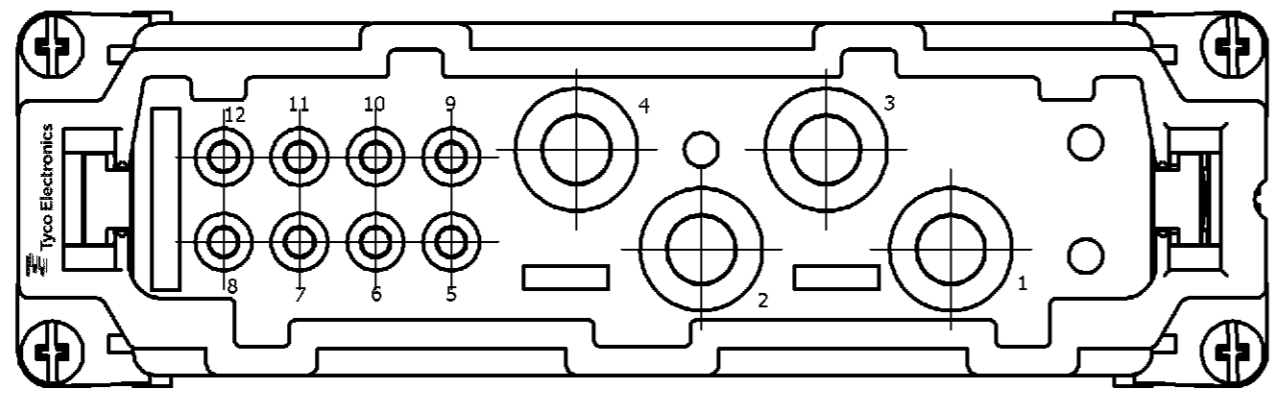
(1:1)



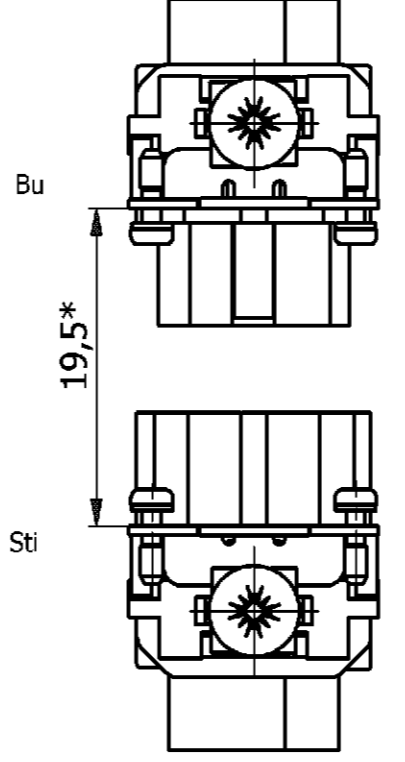
A (3:1)

0-1103148-1
HMX.4/8.Sti.S
16A/380V 6 KV 3
80A/380V 6 KV 3

CONTACT ARRANGEMENT
VIEW FROM CONNECTING SIDE



* distance for guaranteed contact 21 mm max.

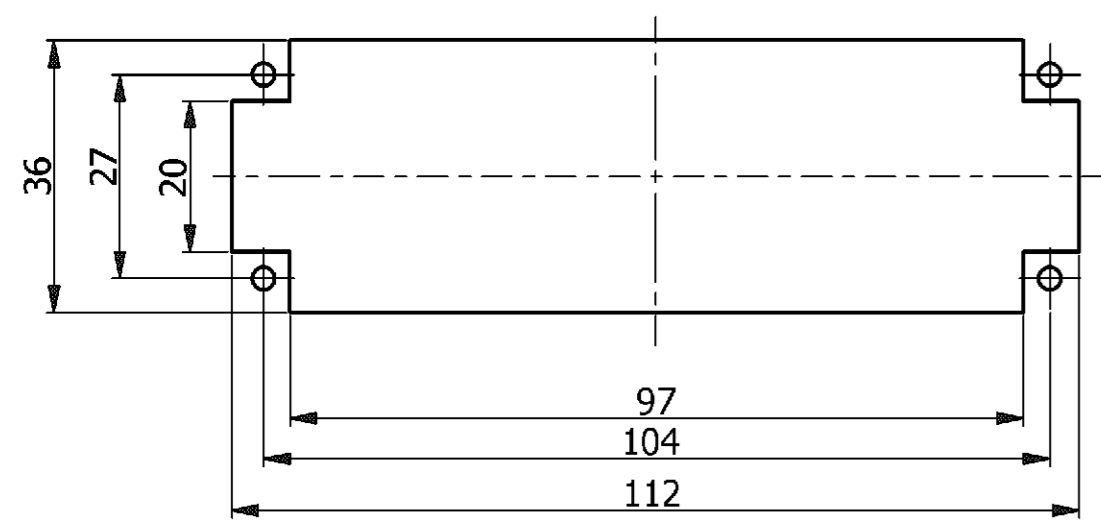


NOTES

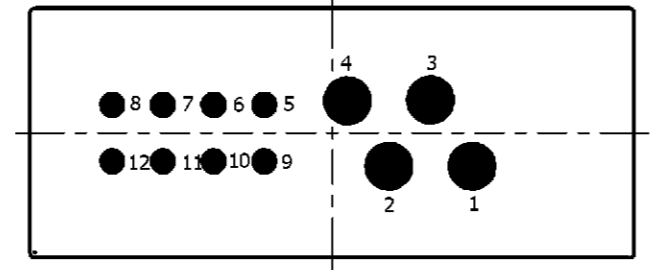
- 1 POWER CONTACT: 1 TO 4
OUTER DIMENSIONS OF INSULATION: MAX. Ø10,3 MM
- 2 SIGNAL CONTACT: 5 TO 12
OUTER DIMENSIONS OF INSULATION: MAX. Ø5,2 MM
- 3 GROUNDING CONTACT
- 4 SUITABLE HOOD SIZE 8: SERIES HB; HD; EMV AND HIP
- 5 STANDARDS:
DIN EN 61984; DIN EN 60664-1
- 6 PACKAGING:
5 PIECES IN A CARTON
- 9 SUPERSEDED BY T2100122101-000

0-1 AS SHOWN
ORDERING TEXT: HMX.4/8.Sti.S

Panel cut-out for contact insert
when used without housing



CONTACT ARRANGEMENT
VIEW FROM TERMINATION SIDE



QTY	DESCRIPTION	MATERIAL	SURFACE	COLOR	NOTE	ITEM
8	SIGNAL WIRE PROTECTION STRIP	CuSn6	---	---	---	10
4	THREADED PIN	6,8	SURFACE DIN EN 12540 Fe/Ni 5b	BLUE	M6	9
8	CONTACT SCREW WITH SLOT	Cu Zn 40Pb3	---	BLUE	---	8
1	CLAMP TAB	STEEL	NICKEL PLATED	BLUE	---	7
1	CYLINDER SCREW , M5	STEEL	NICKEL PLATED	---	---	6
4	FIXING SCREW	STEEL	NICKEL PLATED	---	M3X10,5	5
2	GROUNDING CONTACT-PIN	Cu Zn37 F38	Cu/Ni 5b	---	---	4
8	PIN CONTACT (SIGNAL)	BRASS	SILVER PLATED	---	---	3
4	PIN CONTACT (POWER)	BRASS	SILVER PLATED	---	---	2
1	MALE INSERT HMX.4.8	PBT-GF30	---	LIGHT GREY	---	1

0-1 HMX.4/8.Sti.S

TE Connectivity

**MALE INSERT ASSEMBLY
HMX.4/8.STI.S**

1103148

CUSTOMER DRAWING / KUNDENZEICHNUNG

SCALE: MASSSTAB 1,5:1

SHEET: BLATT 1 OF 1

REV: D2

X-ON Electronics

Largest Supplier of Electrical and Electronic Components

Click to view similar products for [Heavy Duty Power Connectors](#) category:

Click to view products by [TE Connectivity](#) manufacturer:

Other Similar products are found below :

[1424439](#) [1424438](#) [09330062652](#) [605601-1](#) [6340G1](#) [6341G1](#) [6360G1](#) [6373G1](#) [6374g2](#) [6396G1](#) [647757-1](#) [6643411-1](#) [6646058-2](#) [6646137-1](#)
[6646138-1](#) [6646348-1](#) [6646479-1](#) [6646608-1](#) [6646786-1](#) [6646940-1](#) [6651525-1](#) [6651529-1](#) [6651778-1](#) [6651788-1](#) [696465-1](#) [696475-1](#)
[73000005059](#) [73000005349](#) [73000005642](#) [73080965046](#) [765-15-0080A](#) [765-16-0080B](#) [789.700-44](#) [789.700-54](#) [80-1010](#) [80-9](#) [827381-1](#)
[829992-1](#) [902-77-02113](#) [PL00U-301-10D10](#) [PM103MOOLOO](#) [PM212MOOLOO](#) [PM309FOOLOO](#) [PM324FOOLCH](#) [PMHPAF11S03](#)
[PMHPAF14S01](#) [PMHPAM14P05](#) [PMHPAS06](#) [PMHPBF14S01](#) [PP45PC12S](#)