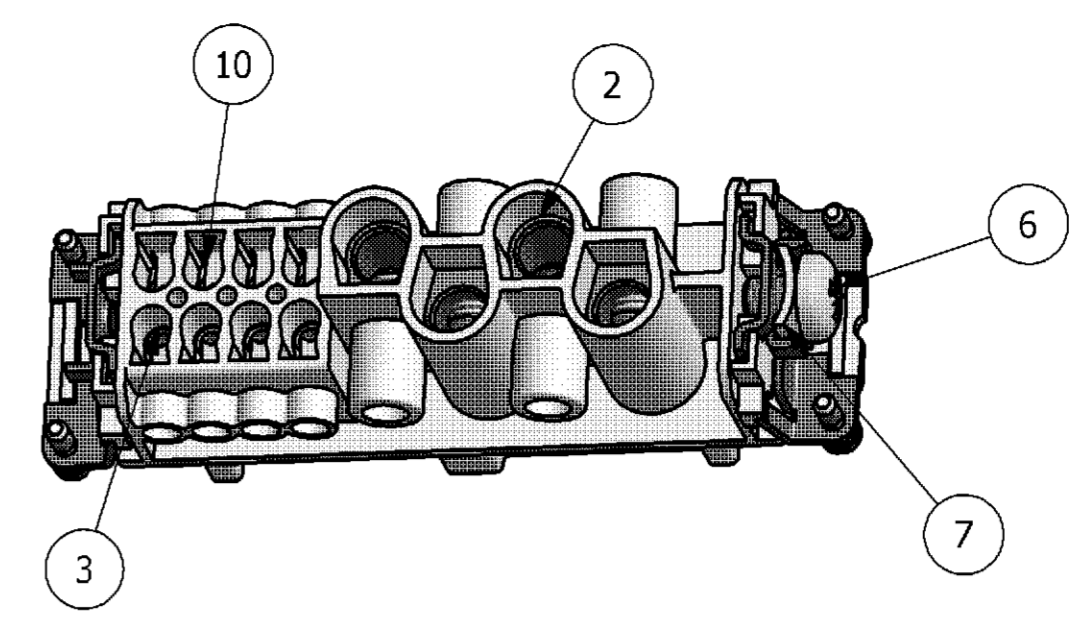
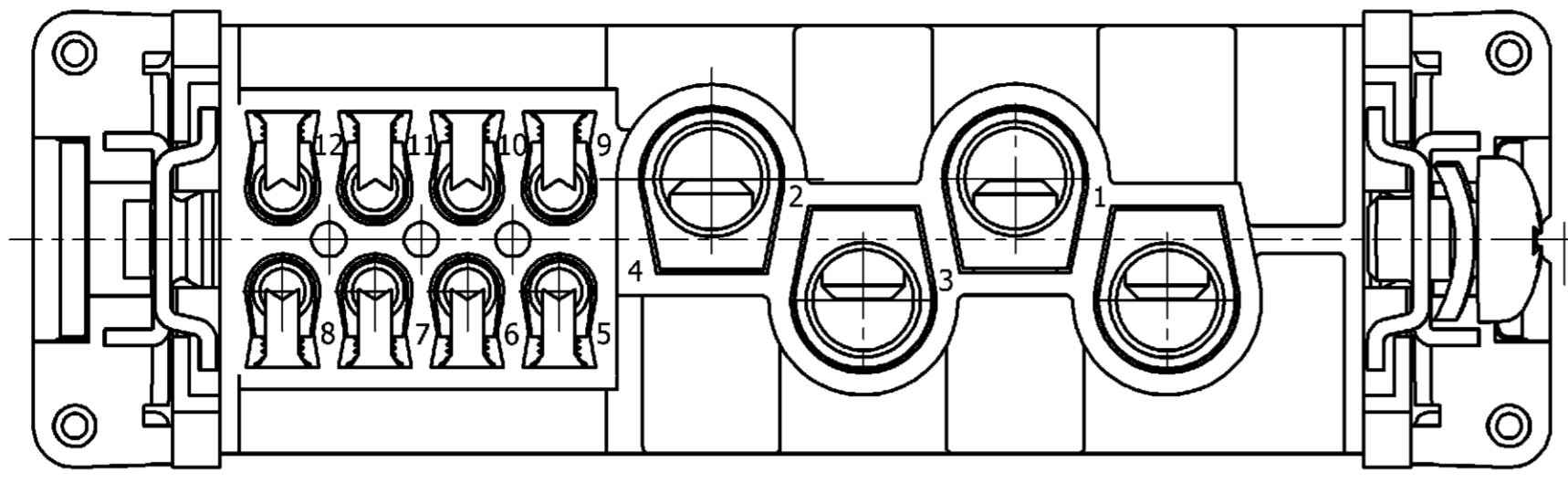
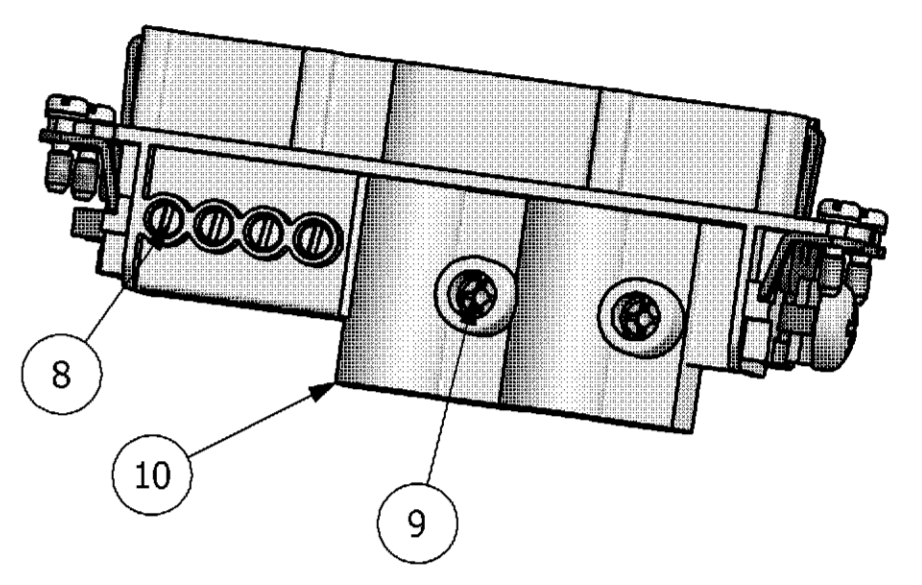


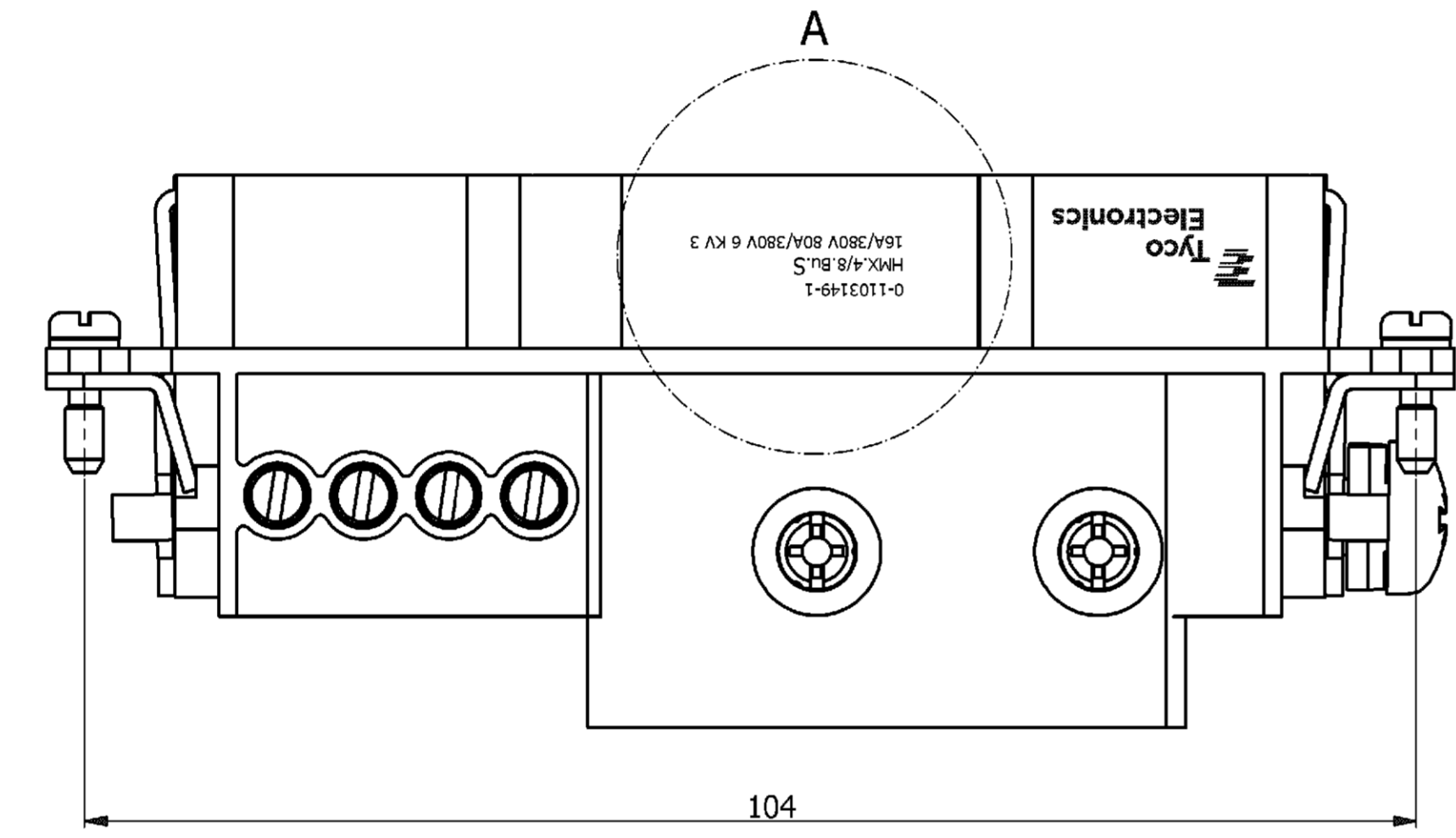
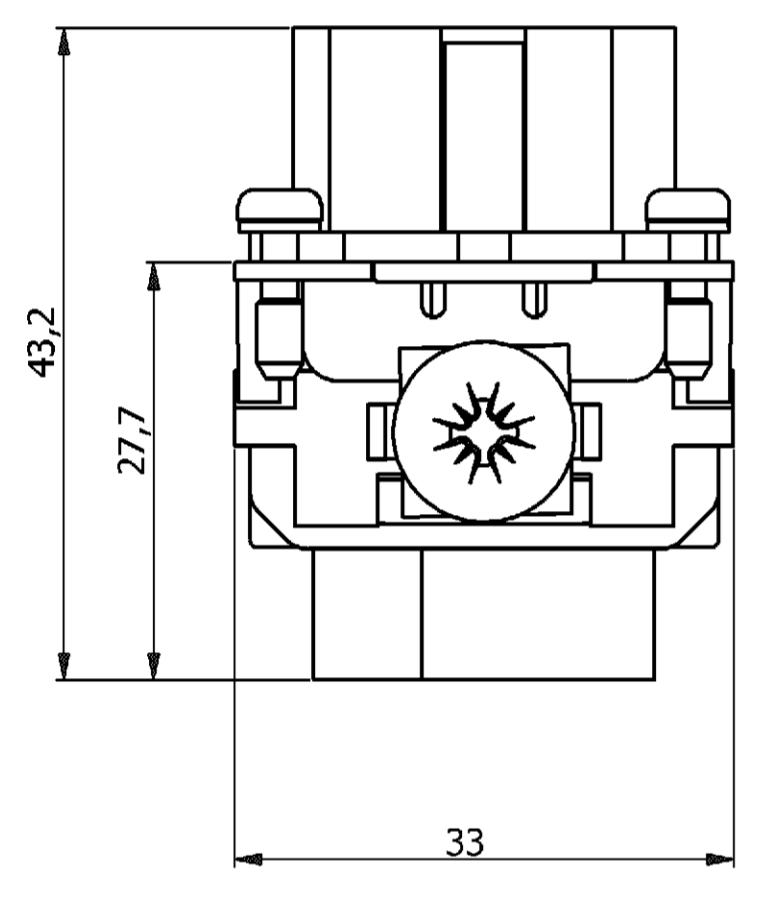
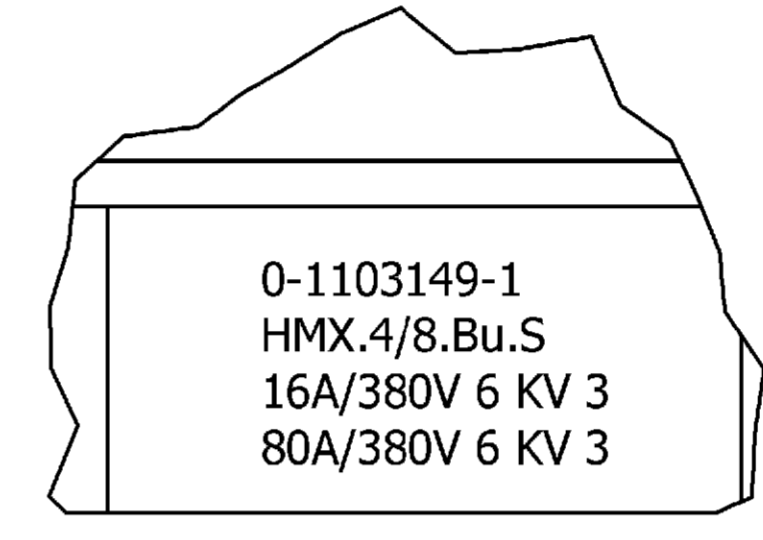
CONTACT ARRANGEMENT
VIEW FROM TERMINATION SIDE



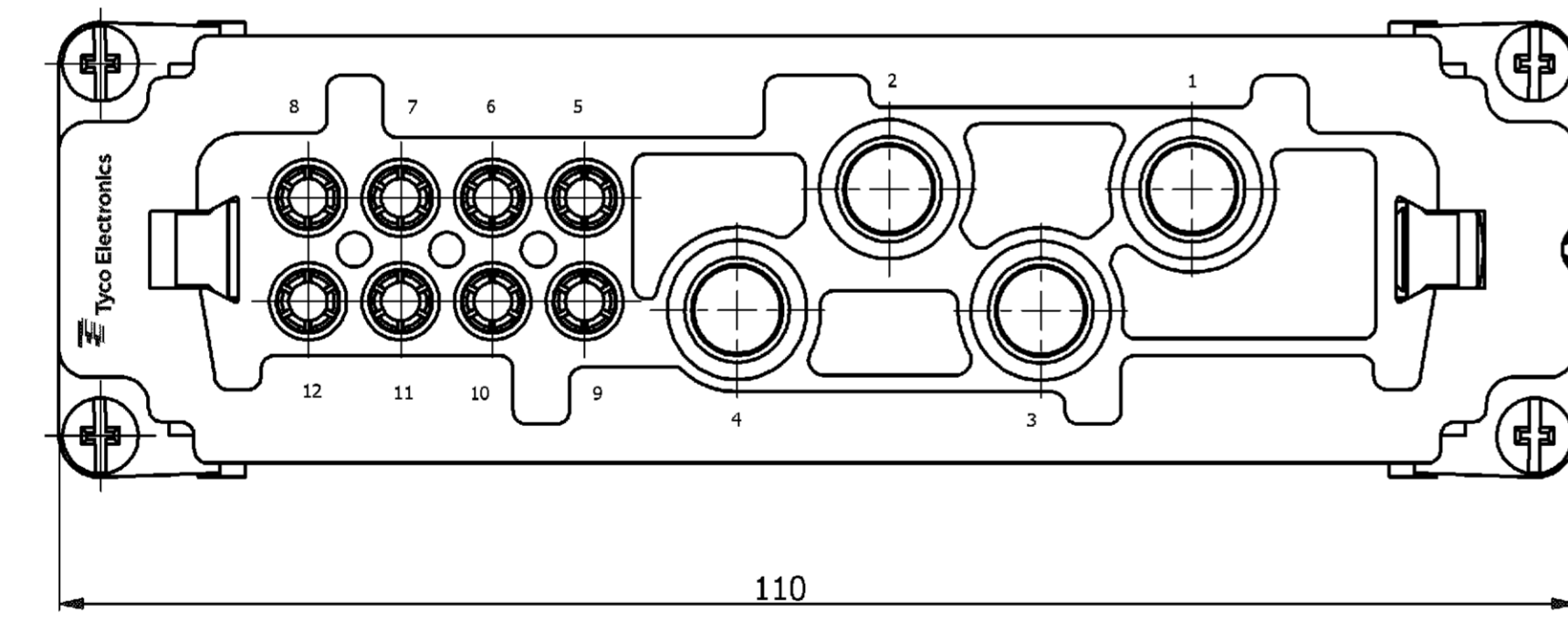
(1:1)



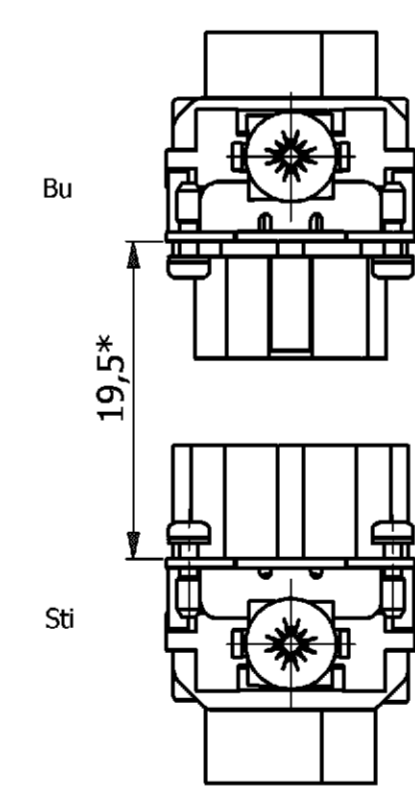
A (3:1)



CONTACT ARRANGEMENT
VIEW FROM CONNECTING SIDE



* distance for guaranteed contact 21 mm max.



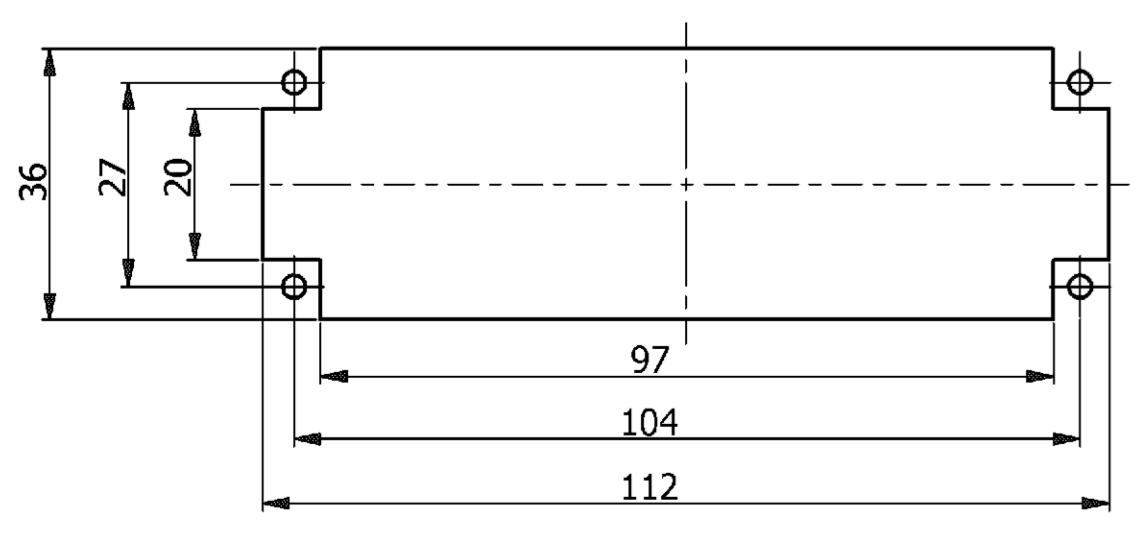
NOTES

- POWER CONTACT: 1 TO 4
OUTER DIMENSIONS OF INSULATION: MAX. Ø10,3 MM
- SIGNAL CONTACT: 5 TO 12
OUTER DIMENSIONS OF INSULATION: MAX. Ø5,2 MM
- GROUNDING CONTACT
- SUITABLE HOOD SIZE 8: SERIES HB; HD; EMV AND HIP
- STANDARDS:
DIN EN 61984; DIN EN 60664-1
- PACKAGING:
5 PIECES IN A CARTON
- SUPERSEDED BY T2100122201-000

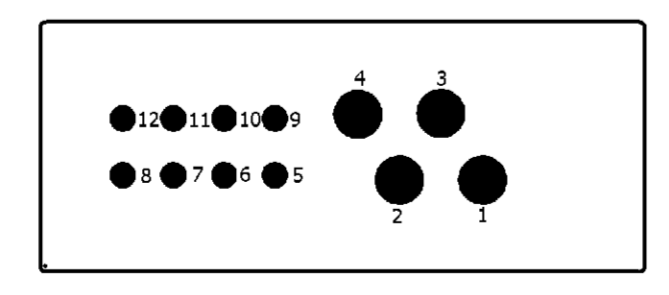
P/N 0-1 as shown

ORDERING TEXT: HMX.4/8.Bu.S

Panel cut-out for contact insert
when used without housing



CONTACT ARRANGEMENT
VIEW FROM TERMINATION SIDE



QTY	DESCRIPTION	MATERIAL	SURFACE	COLOR	NOTE	ITEM
1	SIGNAL WIRE PROTECTION STRIP	CuSn6	---	---	---	10
4	THREADED PIN	6.8	SURFACE DIN EN 12540 Fe/Ni 5b	BLUE	M6	9
8	CONTACT SCREW WITH SLOT	Cu Zn 40Pb3	---	BLUE	---	8
1	CLAMP TAB	STEEL	NICKEL PLATED	BLUE	---	7
1	CYLINDER SCREW M5	STEEL	NICKEL PLATED	---	---	6
4	FIXING SCREW	STEEL	NICKEL PLATED	---	M3X10,5	5
2	GROUNDING CONTACT-SOCKET	Cu Zn37 F38	Cu/Ni 5b	---	---	4
8	SOCKET CONTACT (SIGNAL)	BRASS	SILVER PLATED	---	---	3
4	SOCKET CONTACT (POWER)	BRASS	SILVER PLATED	---	---	2
1	FEMALE INSERT HMX.4.8	PBT-GF30	---	LIGHT GREY	---	1

DIMENSIONS: mm		OTHER PARTS SPECIFIED: ALLOCATIONS/OLSKANZEN		DWN: R.SRINIVAS 12/29/2005	
MATERIAL: 7		FINISH / OBERFLÄCHENBEHANDLUNG / FINISCH		APVD: R.SRINIVAS 12/29/2005	
CUSTOMER DRAWING / KUNDENZEICHNUNG		PART LIST		NAME: T.SCHNURPFEL	
SCALE: 1:2		SIZE: A1		CAGE CODE: 00779	
SHEET: 1		DRAWING NO: 1103149		RESTRICTED TO: NUR FÜR	
REV: D2		CUSTOMER DRAWING / KUNDENZEICHNUNG		SCALE: 1:2	

X-ON Electronics

Largest Supplier of Electrical and Electronic Components

Click to view similar products for [Heavy Duty Power Connectors](#) category:

Click to view products by [TE Connectivity](#) manufacturer:

Other Similar products are found below :

[647757-1](#) [6643411-1](#) [6646058-2](#) [6646137-1](#) [6646138-1](#) [6646479-1](#) [6646608-1](#) [6646786-1](#) [6646940-1](#) [6651091-1](#) [6651525-1](#) [6651529-1](#)
[6651788-1](#) [696475-1](#) [702-32-01109](#) [703-25-02205](#) [73000005059](#) [73000005642](#) [73080255059](#) [73080965046](#) [765-15-0080A](#) [765-16-0080B](#)
[765-18-0080D](#) [829992-1](#) [902-77-02113](#) [PS00/A0620/6300](#) [PS25/A0420/63](#) [129-1J](#) [1409400](#) [AN0024023](#) [E6374G1](#) [e6389g2](#) [157-43GW8](#)
[MS3117-14AC](#) [1643543-1](#) [1650540-1](#) [1651811-2](#) [1766260-1](#) [1766282-1](#) [1766966-1](#) [1791340000](#) [NLDFT-3-BL-L-S120-M40A](#) [NLDFT-N-](#)
[W-L-C240-M40B](#) [NLS-2-R-C240-M40B](#) [NLS-N-W-C240-M40B](#) [NPS-3-BL-T6](#) [1986615-1](#) [2-1589900-8](#) [2199314-1](#) [KA8102](#)