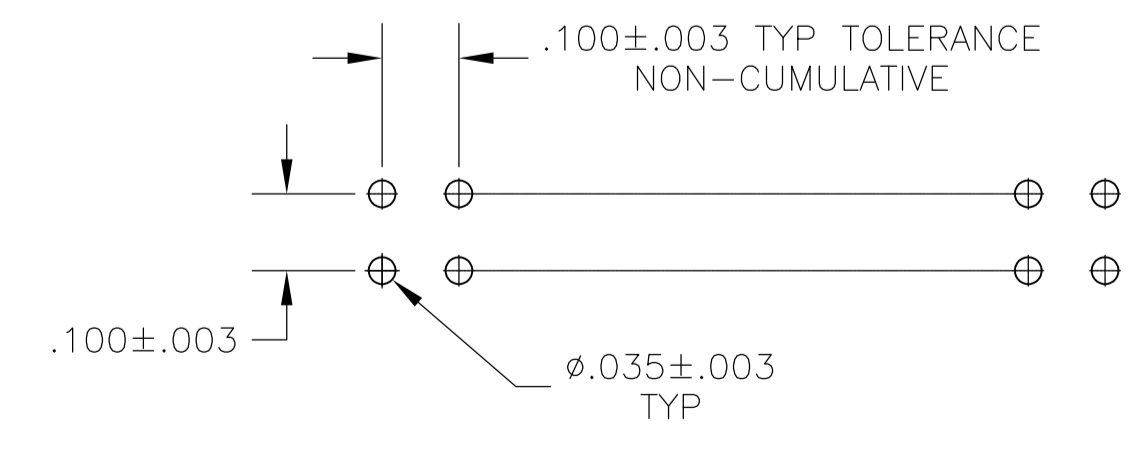
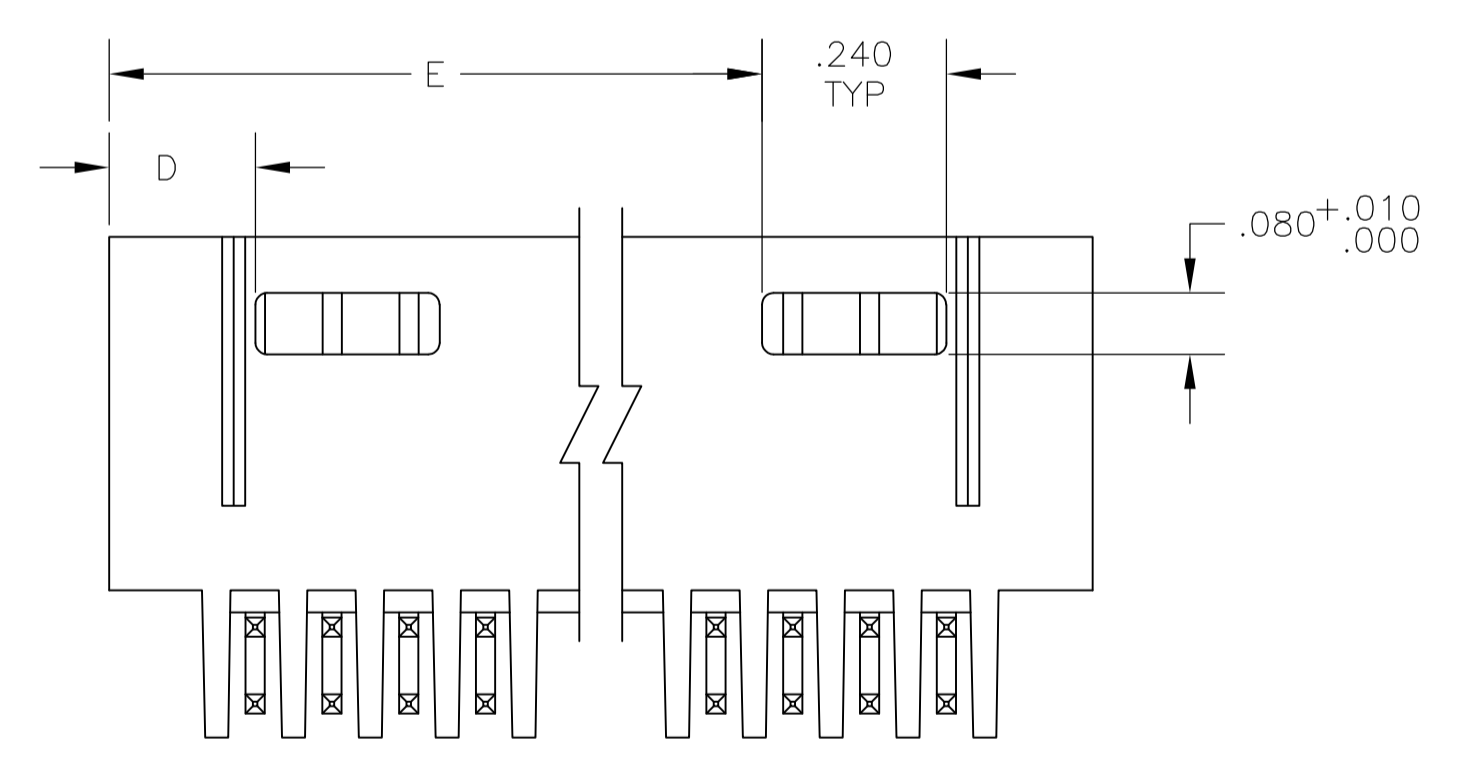
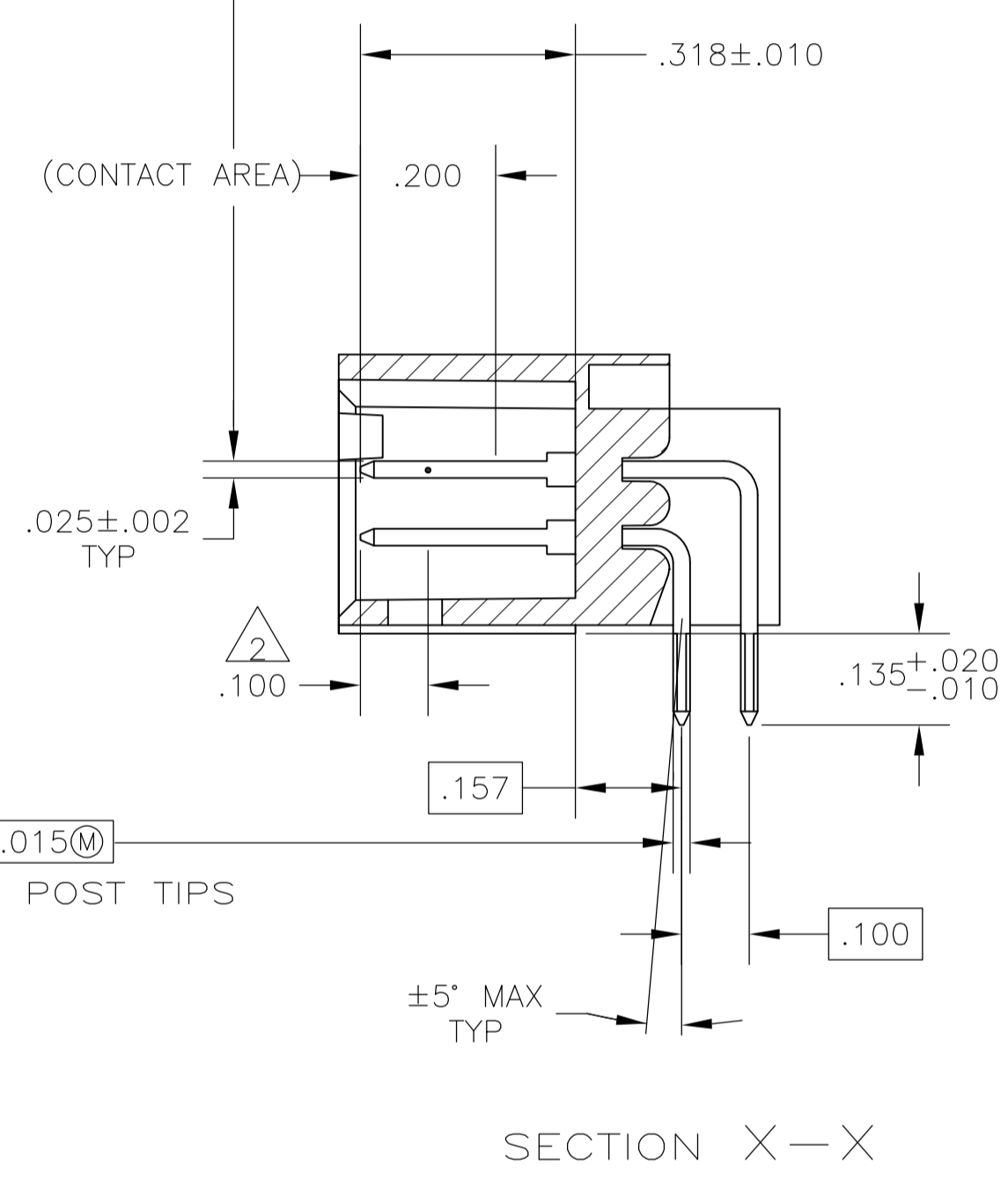
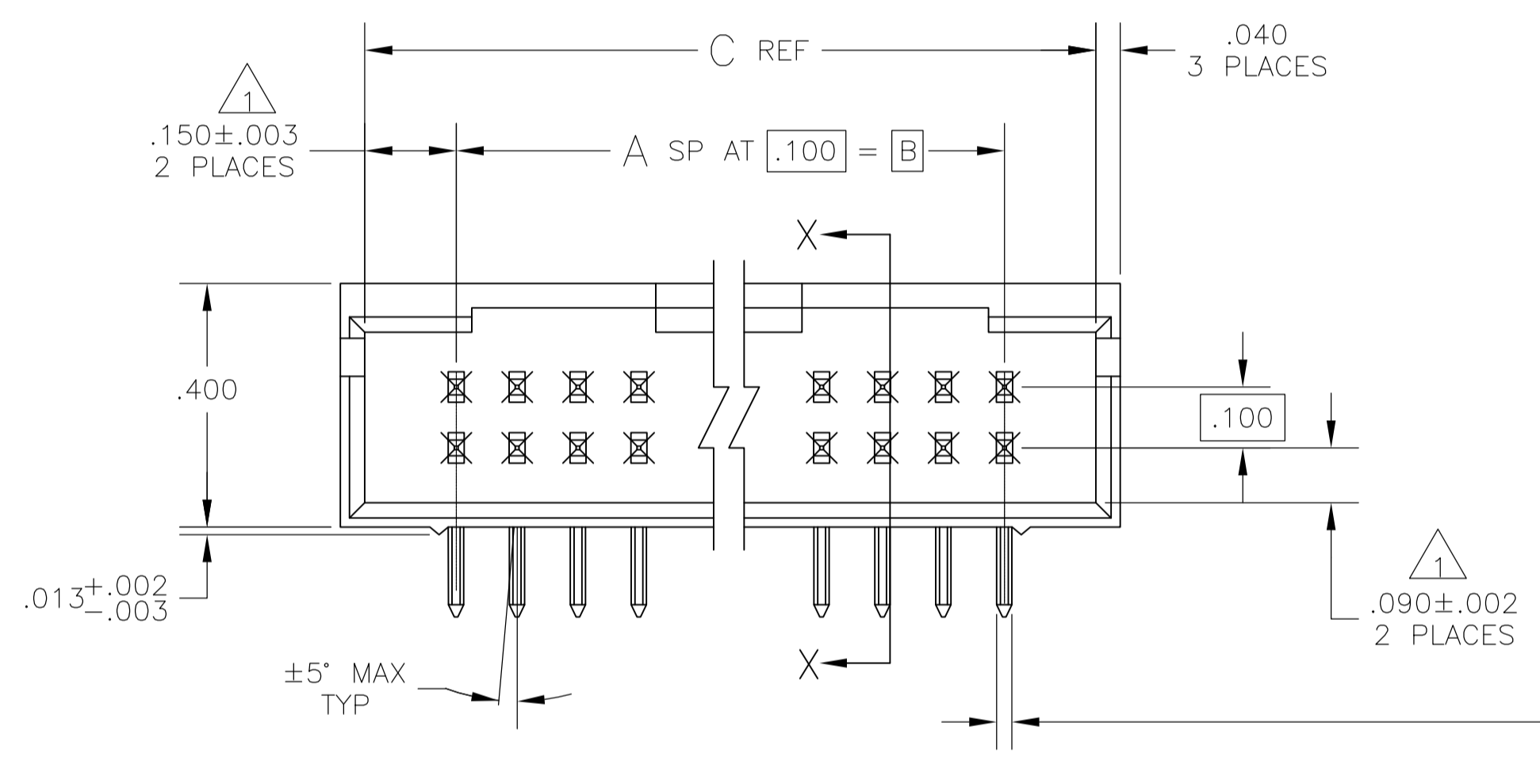
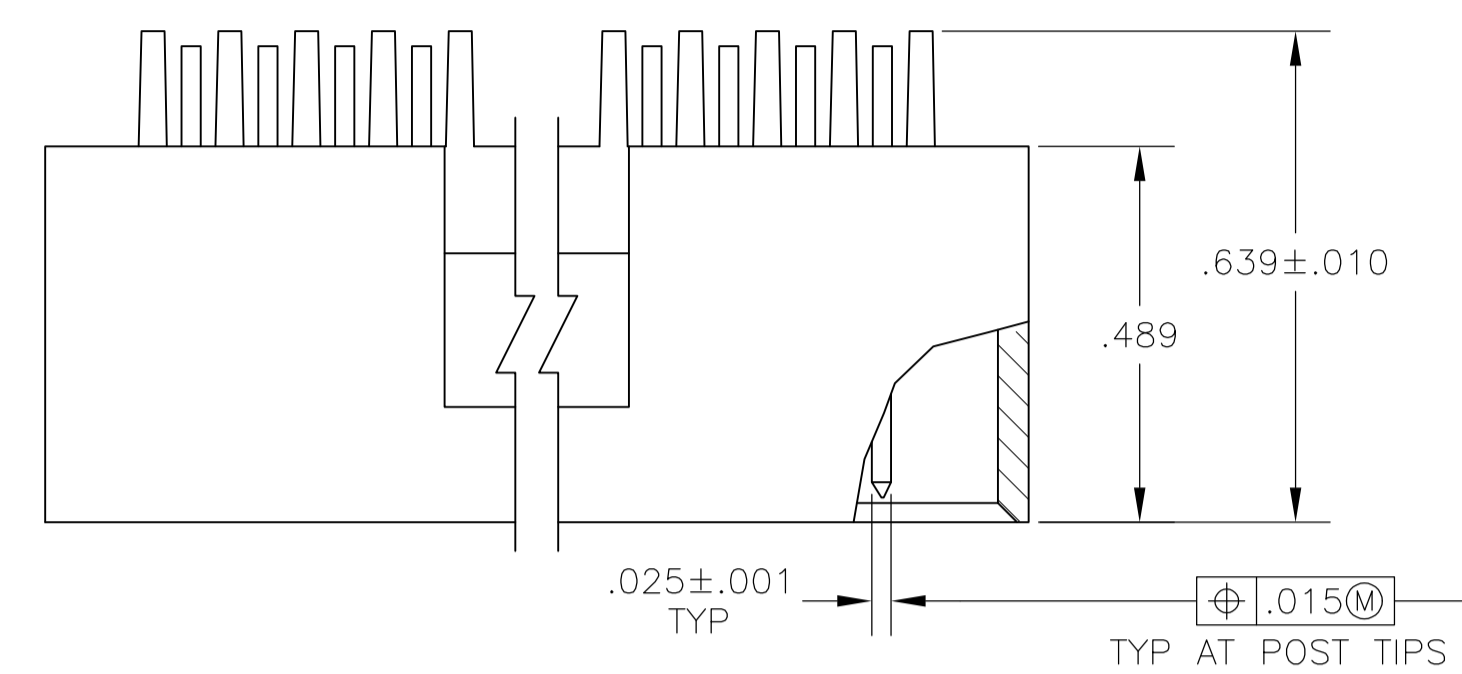


- 1 THE NOTED DIMENSION APPLIES AT THE INTERSECTION OF THE POST AND HOUSING
- 2 POINT OF MEASUREMENT FOR PLATING THICKNESS.
- 3 POSTS: .000030 GOLD IN CONTACT AREA .000100-.000200 MATTE TIN LEAD ON SOLDER TAIL, ALL OVER .000050 NICKEL
- 4 POSTS: .000030 GOLD IN CONTACT AREA .000100-.000200 MATTE TIN ON SOLDER TAIL, ALL OVER .000050 NICKEL
- 5 OBSOLETE PARTS: OBSOLETE CIS STREAMLINING PER D.RENAUD/D.SINISI



REV	DATE	BY	CHK	DESCRIPTION	NO OF POSN	ASSEMBLY PART NUMBER
5	8-103167-3			OBSOLETE	35	72
4	8-103167-2			OBSOLETE	34	70
3	8-103167-1			OBSOLETE	33	68
2	8-103167-0			OBSOLETE	32	66
1	7-103167-9			OBSOLETE	31	64
0	7-103167-8			OBSOLETE	30	62
0	7-103167-7			OBSOLETE	29	60
0	7-103167-6			OBSOLETE	28	58
0	7-103167-5			OBSOLETE	27	56
0	7-103167-4			OBSOLETE	26	54
0	7-103167-3			OBSOLETE	25	52
0	7-103167-2			OBSOLETE	24	50
0	7-103167-1			OBSOLETE	23	48
0	7-103167-0			OBSOLETE	22	46
0	6-103167-9			OBSOLETE	21	44
0	6-103167-8			OBSOLETE	20	42
0	6-103167-7			OBSOLETE	19	40
0	6-103167-6			OBSOLETE	18	38
0	6-103167-5			OBSOLETE	17	36
0	6-103167-4			OBSOLETE	16	34
0	6-103167-3			OBSOLETE	15	32
0	6-103167-2			OBSOLETE	14	30
0	6-103167-1			OBSOLETE	13	28
0	6-103167-0			OBSOLETE	12	26
0	5-103167-9			OBSOLETE	11	24
0	5-103167-8			OBSOLETE	10	22
0	5-103167-7			OBSOLETE	9	20
0	5-103167-6			OBSOLETE	8	18
0	5-103167-5			OBSOLETE	7	16
0	5-103167-4			OBSOLETE	6	14
0	5-103167-3			OBSOLETE	5	12
0	5-103167-2			OBSOLETE	4	10
0	5-103167-1			OBSOLETE	3	8
0	3-103167-3			OBSOLETE	35	72
0	3-103167-2			OBSOLETE	34	70
0	3-103167-1			OBSOLETE	33	68
0	3-103167-0			OBSOLETE	32	66
0	2-103167-9			OBSOLETE	31	64
0	2-103167-8			OBSOLETE	30	62
0	2-103167-7			OBSOLETE	29	60
0	2-103167-6			OBSOLETE	28	58
0	2-103167-5			OBSOLETE	27	56
0	2-103167-4			OBSOLETE	26	54
0	2-103167-3			OBSOLETE	25	52
0	2-103167-2			OBSOLETE	24	50
0	2-103167-1			OBSOLETE	23	48
0	2-103167-0			OBSOLETE	22	46
0	1-103167-9			OBSOLETE	21	44
0	1-103167-8			OBSOLETE	20	42
0	1-103167-7			OBSOLETE	19	40
0	1-103167-6			OBSOLETE	18	38
0	1-103167-5			OBSOLETE	17	36
0	1-103167-4			OBSOLETE	16	34
0	1-103167-3			OBSOLETE	15	32
0	1-103167-2			OBSOLETE	14	30
0	1-103167-1			OBSOLETE	13	28
0	1-103167-0			OBSOLETE	12	26
0	103167-9			OBSOLETE	11	24
0	103167-8			OBSOLETE	10	22
0	103167-7			OBSOLETE	9	20
0	103167-6			OBSOLETE	8	18
0	103167-5			OBSOLETE	7	16
0	103167-4			OBSOLETE	6	14
0	103167-3			OBSOLETE	5	12
0	103167-2			OBSOLETE	4	10
0	103167-1			OBSOLETE	3	8
5	103167-0			SUPERSEDED	3	8

THIS DRAWING IS A CONTROLLED DOCUMENT.		DIN H MOLL 27JUL87	 TE Connectivity
DIMENSIONS: INCHES		CHK R FLIDT 28JUL87	
TOLERANCES UNLESS OTHERWISE SPECIFIED:		APVD R FLICKER 29JUL87	NAME: HDR ASSY, MOD II, SHROUDED, 4 SIDES, DBL ROW, .100X.100 RIGHT ANGLE, W/ .025 SQ POSTS
0 PLC ± - 1 PLC ± - 2 PLC ± - 3 PLC ± .005 4 PLC ± - ANGLES ± -		APPLICATION SPEC	SIZE: A1
MATERIAL: HOUSING: PLATE RESISTANT COLOR: BRNZ POST:PHOS BRONZE		FINISH: SEE TABLE	WEIGHT: -
CUSTOMER DRAWING		SCALE: 4:1	SHEET 1 OF 1

X-ON Electronics

Largest Supplier of Electrical and Electronic Components

Click to view similar products for [Headers & Wire Housings](#) category:

Click to view products by [TE Connectivity](#) manufacturer:

Other Similar products are found below :

[892-18-020-10-001101](#) [58102-G61-06LF](#) [582553-1](#) [0009485154](#) [009176003701906](#) [0050291907](#) [LY20-4P-DT1-P1E-BR](#) [02.125.8002.8](#)
[609-3404](#) [61062-3](#) [61082-181009](#) [622-3653LF](#) [63453-116](#) [636-1030](#) [636-1427](#) [636-3427](#) [636-4007](#) [641938-9](#) [641991-4](#) [644827-2](#) [65817-010LF](#) [65817-015LF](#) [65863-015LF](#) [66207-023LF](#) [67095-007LF](#) [67601157](#) [68645-018](#) [68648-049](#) [70.362.1628.0](#) [70-4210](#) [70-4226B](#) [70-4853B](#) [707-5020](#) [707-5028](#) [71.350.2428.0](#) [71918-208LF](#) [71961-016LF](#) [733-134](#) [733-162](#) [754199-000](#) [760-3052](#) [787-8014-00](#) [79531-3000](#)
[FCN-360C032-B](#) [FCN-367T-T012/H](#) [FCN-723D010/2](#) [80.063.4001.1](#) [800-90-001-10-001000](#) [800-90-010-10-002000](#) [801-43-002-10-013000](#)