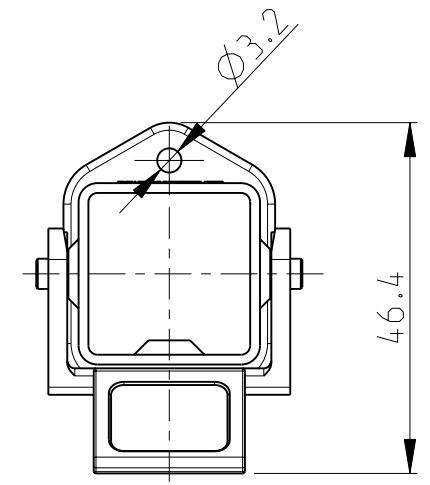
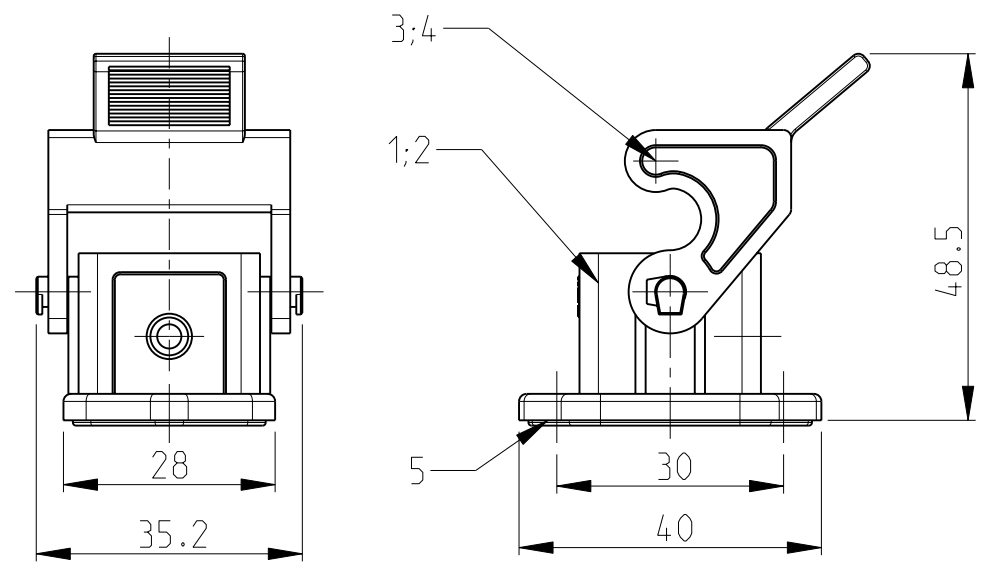
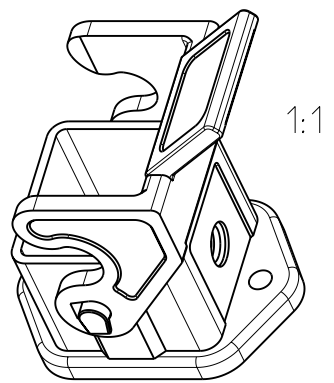
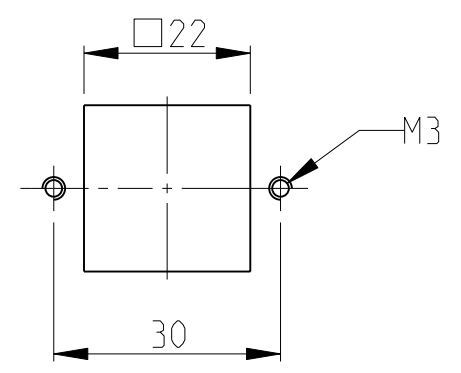


THIS DRAWING IS UNPUBLISHED. RELEASED FOR PUBLICATION 2008
 © COPYRIGHT 2008 BY TYCO ELECTRONICS CORPORATION. ALL RIGHTS RESERVED.

LOC	DIST	REVISIONS					
		P	LTR	DESCRIPTION	DATE	DWN	APVD
A1	-		A1	NEW DRAWN	18.06.08	SM	ST



Panel cut-out




Notes

- 1 SUITABLE INSERT: SERIES HA.3/4; HD.7/8; HN.D.7/8; HE-Q.5{
- 2 STANDARDS:
DIN EN 61984, DIN EN 60664-1
- 3 TOLERANCES UNLESS OTHERWISE SPECIFIED:
n. ISO 8015
n. ISO 2768-mH-E
n. DIN 16901
- 4 PACKAGING:
10 SETS IN A CARTON, PRE-MOUNTED

QTY	POS.	DESCRIPTION	MATERIAL	COLOR	NOTE	ITEM NO. POS.
1	1	FLANGE MOUNTED SEAL	NBR	BLACK	CONDUCTIVE	5
1		SIDE CLIP	PBT-GF25	BLACK		4
	1	SIDE CLIP	PBT-GF30	LIGHT-GREY		3
1		SURFACE MOUNTED HOUSING	PBT-GF25	BLACK		2
	1	SURFACE MOUNTED HOUSING	PBT-GF30	LIGHT-GREY		1
0-2	0-1					
		DESCRIPTION	MATERIAL	COLOR	NOTE	ITEM NO. POS.
		HG-Q.5.AG				
		HG-Q.5.AG.BL				

<small>THIS DRAWING IS A CONTROLLED DOCUMENT FOR TYCO ELECTRONICS CORPORATION IT IS SUBJECT TO CHANGE AND THE CONTROLLING ENGINEERING ORGANIZATION SHOULD BE CONTACTED FOR THE LATEST REVISION.</small>		DWN M. Schweiger 18.06.08 CHK Th. Schnurpfeil 18.06.08 APVD - PRODUCT SPEC - APPLICATION SPEC - WEIGHT 109g	Tyco Electronics Tyco Electronics AMP GmbH 53819 Neunkirchen (Germany)
DIMENSIONS: mm 	TOLERANCES UNLESS OTHERWISE SPECIFIED: 0 PLC ± 1 PLC ± 2 PLC ± 3 PLC ± 4 PLC ± ANGLES ±1° FINISH -	NAME SURFACE MOUNTED HOUSING HG-Q.5.AG SIZE A3 CAGE CODE 00779 DRAWING NO C-1103171 RESTRICTED TO -	
MATERIAL -		CUSTOMER DRAWING SCALE 1:1 SHEET 1 OF 1 REV A1	

Notes

- 1 CONTACT: X TO Y
SUITABLE CRIMP CONTACTS: SERIES X
CUSTOMER DRAWING: 110XXXX
OUTER DIMENSIONS OF INSULATION: MAX. \varnothing XX MM
- 2 SUITABLE CRIMP CONTACTS: SERIES X
CUSTOMER DRAWING: 110XXXX
OUTER DIMENSIONS OF INSULATION: MAX. \varnothing XX MM
- 3 SIGNAL CONTACT: X AND Y
SUITABLE CRIMP CONTACTS: SERIES X
CUSTOMER DRAWING: 110XXXX
OUTER DIMENSIONS OF INSULATION: MAX. \varnothing XX MM
- 4 GROUNDING CONTACT:
SUITABLE CRIMP CONTACTS: SERIES X
CUSTOMER DRAWING: 110XXXX
OUTER DIMENSIONS OF INSULATION: MAX. \varnothing XX MM
- 5 SUITABLE HOOD: SERIES X
- 6 SUITABLE MODULE FIXING FRAME: SERIES HVS
CUSTOMER DRAWING: 1103250
- 7 SUITABLE INSERTION TOOL:
CUSTOMER DRAWING: 110XXXX
- 8 SUITABLE EXTRACTION TOOL:
CUSTOMER DRAWING: 100XXXX
-  9 STANDARDS:
DIN EN 61984, DIN EN 60664-1
- 10 POLARIZATION RIPS
- 11 MARKING OF POLARIZATION ACCORDING MARKING OF
MODULE FRAME
- 12 AUTHORISATION; UL; CSA; VDE; SEV
- 13 PACKAGING:
10 SETS IN A CARTON, PRE-MOUNTED

X-ON Electronics

Largest Supplier of Electrical and Electronic Components

Click to view similar products for [Heavy Duty Power Connectors](#) category:

Click to view products by [TE Connectivity](#) manufacturer:

Other Similar products are found below :

[1424439](#) [1424438](#) [09330062652](#) [605601-1](#) [6340G1](#) [6341G1](#) [6360G1](#) [6373G1](#) [6374g2](#) [6396G1](#) [647757-1](#) [6643411-1](#) [6646058-2](#) [6646137-1](#)
[6646138-1](#) [6646348-1](#) [6646479-1](#) [6646608-1](#) [6646786-1](#) [6646940-1](#) [6651525-1](#) [6651529-1](#) [6651778-1](#) [6651788-1](#) [696465-1](#) [696475-1](#)
[73000005059](#) [73000005349](#) [73000005642](#) [73080965046](#) [765-15-0080A](#) [765-16-0080B](#) [789.700-44](#) [789.700-54](#) [80-1010](#) [80-9](#) [827381-1](#)
[829992-1](#) [902-77-02113](#) [PL00U-301-10D10](#) [PM103MOOLOO](#) [PM212MOOLOO](#) [PM309FOOLOO](#) [PM324FOOLCH](#) [PMHPAF11S03](#)
[PMHPAF14S01](#) [PMHPAM14P05](#) [PMHPAS06](#) [PMHPBF14S01](#) [PP45PC12S](#)